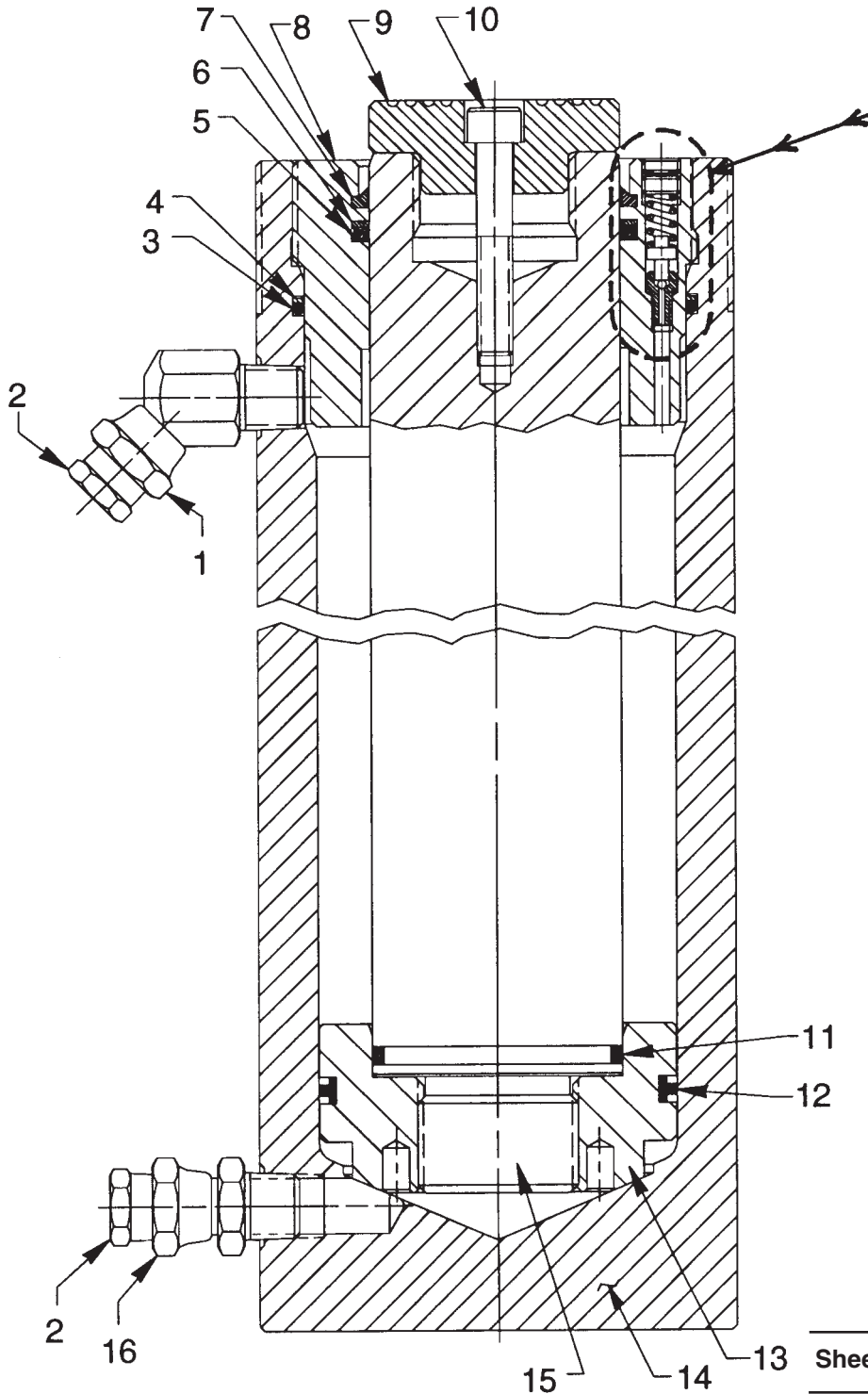


MODEL B
DOUBLE-ACTING
HYDRAULIC CYLINDER
 Max. Capacity: 55.2 Tons at 10,000 PSI



Double-acting
 Cylinder
 Relief Valve

See important
! DANGER
 statement
 on back of
 sheet 1 of 1



: To help avoid possible serious personal injury or death,

- In the event that the cylinder retract port is ever restricted or plugged, a double-acting cylinder relief valve will help prevent excessive pressure from building in the cylinder. **DO NOT** attempt to adjust or service this relief valve! If oil leakage is detected from this relief valve, discontinue use of the cylinder immediately and contact Power Team or OTC Technical Services. Only Power Team or OTC Authorized Hydraulic Service Centers should service this relief valve.

Item No.	Part No.	No. Req'd	Description
1	10648	1	45° Elbow
2	250952	2	Pipe Plug
3	*12599	1	O-ring (4-1/4 X 4" X .048, -242)
4	*19331	1	Backup Washer (4-1/4 X 4" X .048, -242)
5	*19333	1	U-cup
6	*19152	1	Backup Washer (3" X 2-5/8 X .070, -334)
7	*207721	1	Rod Wiper
8	51332	1	Retainer Nut (Torque to 100 ft. lbs.)
9	38449	1	Serrated Insert
10	12866	1	Cap Screw (3/8-16 UNC X 2-1/4 Lg.)
11	*19334	1	O-ring (2-5/8 X 2-3/8 X 1/8, -229)
12	*15381	1	T-seal & Backup Rings (Smooth side of Backup Ring must be against seal.)
13	43305	1	Piston Head (Use Loctite No. 277 when assembling piston head to piston rod [Item #15]. Torque to 200 ft. lbs.)
14	58517	1	Cylinder Body
15	51334	1	Piston Rod
16	10469	1	Straight Fitting

PARTS INCLUDED BUT NOT SHOWN

*37782	1	Warning Decal
--------	---	---------------

Part numbers marked with an (*) asterisk are contained in Repair Kit No. 300005.

Refer to any operating instructions included with this product for detailed information about operation, testing, disassembly, reassembly, and preventive maintenance.

Items found in this parts list have been carefully tested and selected. **Therefore: Use only genuine replacement parts!**

Additional questions can be directed to our Technical Services Department.