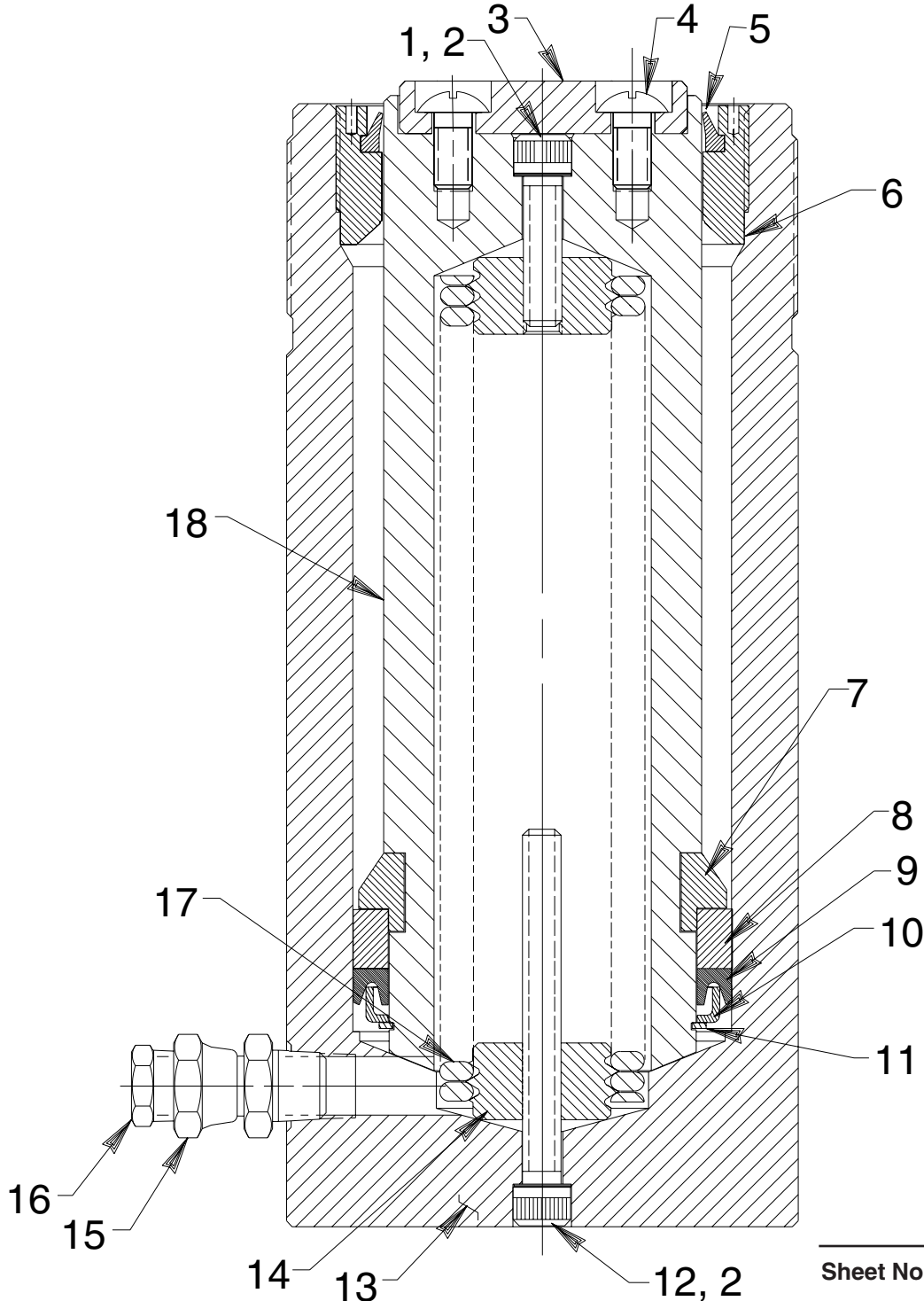


MODEL B
SINGLE-ACTING, SPRING RETURN
HYDRAULIC CYLINDER
 Max. Capacity: 55.2 Tons At 10,000 PSI



Sheet No.	1 of 1
Issue Date:	12-28-94

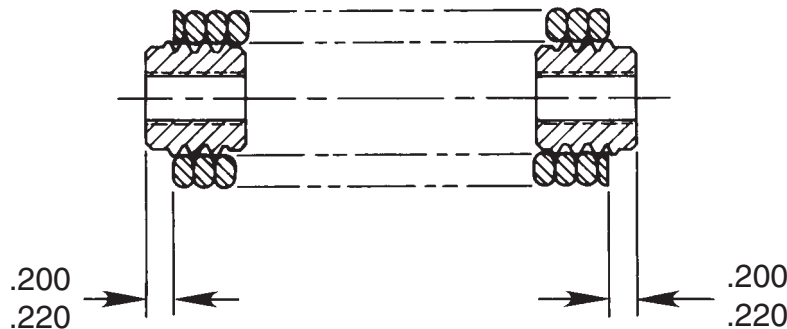
Parts List, Form No. 101411, Back sheet 1 of 1

Item No.	Part No.	No. Req'd	Description	Item No.	Part No.	No. Req'd	Description
1	10984	1	Cap Screw (3/8-16 UNC x 1-1/2 Lg.; Torque to 500/550 in. lbs. For 52457)	12	16110	1	Cap Screw (3/8-16 UNC X 3-1/2 Lg.; Torque to 500/550 in. lbs.)
	16110	1	Cap Screw (3/8-16 UNC X 3-1/2 Lg.; Torque to 500/550 in. lbs. For 52380)	13	64655	1	Cylinder Body (For 52457)
2	†*12042	2	Copper Washer (9/16 X 3/8 X 1/32)	14	36170	2	Spring Retainer (See Note below)
3	36161	1	Ram Saddle	15	10469	1	Straight Fitting
4	16112	2	Machine Screw (3/8-16 UNC X 3/4 Lg.; Tighten securely)	16	250952	1	Pipe Plug
5	*16117	1	Rod Wiper	17	201483	1	Extension Spring (For 53457)
	†205718	1	Rod Wiper	18	201484	1	Extension Spring (For 52380)
6	36138	1	Retainer Nut (Torque to 125/150 in. lbs.)		50837	1	Piston Rod (For 52457)
7	36001	1	Keeper Ring		50836	1	Piston Rod (For 52380)
8	201481	1	Piston Head	PARTS INCLUDED BUT NOT SHOWN			
9	*15916	1	U-cup	*37782	1	Warning Decal	
	†205706	1	U-cup	†206557	1	U-cup Backup Washer	
10	201480	1	Slip Retainer	†19526	1	O-ring (1" x 3/4 x 1/8, -210; For coupler)	
11	*16118	1	Retaining Ring	†205724	1	Decal (Viton seals)	

Part numbers marked with an asterisk (*) are contained in Standard Repair Kit No. 300114.
 Part numbers marked with a dagger (†) are contained in Viton Seal Kit No. 300215.

SPRING & RETAINER ASSEMBLY

The spring must not extend beyond the threads of the spring retainer on either end. Stretch, clean and lubricate the spring before assembly.



Refer to any operating instructions included with this product for detailed information about operation, testing, disassembly, reassembly, and preventive maintenance.

Items found in this parts list have been carefully tested and selected. **Therefore: Use only genuine replacement parts!**

Additional questions can be directed to our Technical Services Department.