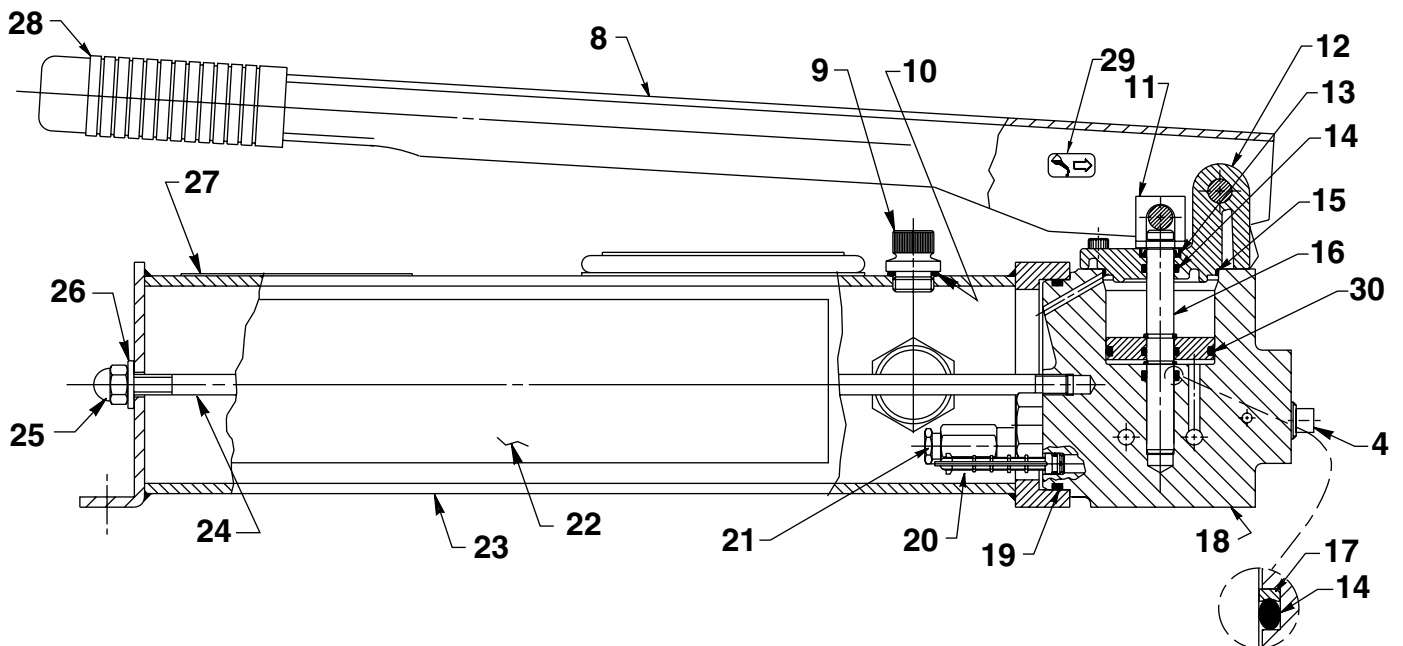
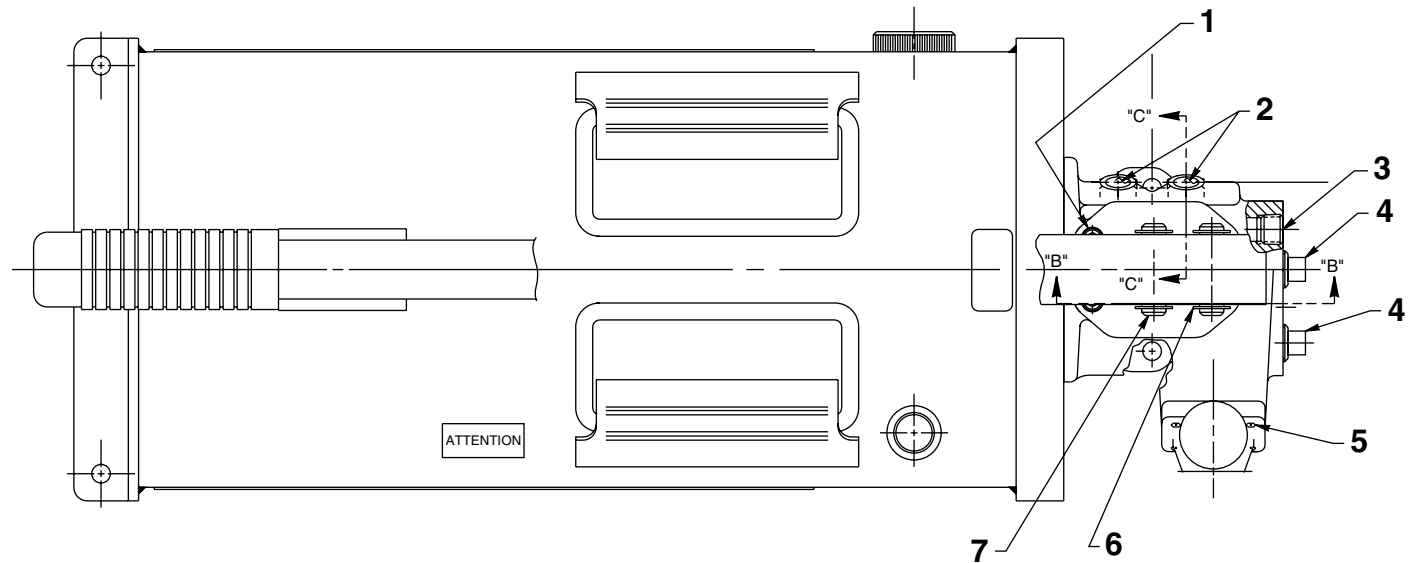


**MODEL B**  
**TWO-SPEED**  
**HYDRAULIC HAND PUMP**  
 Max. Capacity: 10,000 PSI



# Parts List, Form No. 101430, Back sheet 1 of 2

Item No.	Part No.	No. Req'd	Description
1	251564	4	Cap Screw (1/4-20 UNC x 3/4 Lg.)
2	•†*215907	2	Decal
3	14972	2	Pipe Plug (1/4 NPTF)
4	11127	2	Pressure Plug (3/8 NPTF)
5	11434	4	Cap Screw (10-24 UNC X 1/2 Lg.)
6	211743	4	Retaining Ring (NOTE: Expand retaining ring to .440 dia. max. during installation.)
7	211742	2	Dowel Pin
8	61806OR9	1	Handle Assembly
9	27142	1	Filler Plug
10	*10527	1	O-ring (Nitrile; 13/16 X .644 X .087)
	†11450	1	O-ring (Viton; 13/16 X .644 X .087)
	•17723	1	O-ring (EPR; 13/16 X .644 X .087)
11	350923	1	Piston Clip
12	58485WH2	1	Cap (Iron)
13	*15092	1	Rod Wiper (Nitrile)
	†19321	1	Rod Wiper (Viton)
	•250841	1	Rod Wiper (EPR)
14	*10271	3	O-ring (11/16 X 1/2 X 3/32; Included with piston assembly [Item #16])
	†11445	3	O-ring (Viton; 11/16 X 1/2 X 3/32)
	•19406	3	O-ring (EPR; 11/16 X 1/2 X 3/32)
15	*251603	1	O-ring (2-1/8 x 2" x 1/16)
	†18985	1	O-ring (Viton; 2-1/8 x 2" x 1/16)
	•251604	1	O-ring (EPR; 2-1/8 x 2" x 1/16)
16	253268	1	Piston Assembly
17	•†*213987	1	Backup Washer (11/16 X 1/2 X 3/64; Assemble with concave surface towards o-ring.)
18	64506	1	Pump Body
19	*214693	1	O-ring (3-7/8 X 3-5/8 X 1/8)
	†19048	1	O-ring (Viton; 3-7/8 x 3-5/8 x 1/8)
	•14072	1	O-ring (EPR; 3-7/8 X 3-5/8 X 1/8)
20	•†*215075	1	Filter
21	21278	1	Relief Valve Assembly (See note below)
22	309221CE	2	Trade Name Decal
23	64487	1	Reservoir Assembly
24	251382	1	Tie Rod (NOTE: Screw in the tie rod until it bottoms out in pump body.)
25	10842	1	Cap Nut
26	*251348	1	Seal Washer (Nitrile)
	†251355	1	Seal Washer (Viton)
	•12042	1	Copper Washer (To be used on pumps with EPR seals.)
27	•†*305977	1	Warning Decal
28	211769	1	Handle Grip
29	253234	1	Decal, Oil Pivot Pins
30	*10294	1	O-ring (2.00 x 1.75 Nitrile)
	†11447	1	O-ring (2.00 x 1.75 Viton)
	•215366	1	O-ring (2.00 x 1.75 EPR)

### PARTS INCLUDED BUT NOT SHOWN

†205724	1	Decal (Viton Seals)
•250328	1	Decal (EPR Seals)
253300	1	Seal Washer (For sight gauge on reservoir assembly.)

Part numbers marked with an asterisk (\*) are contained in Repair Kit No. 300698.  
 Part numbers marked with a dagger (†) are contained in Viton Seal Kit No. 300699.  
 Part numbers marked with a bullet (•) are contained in EPR Seal Kit No. 300700.

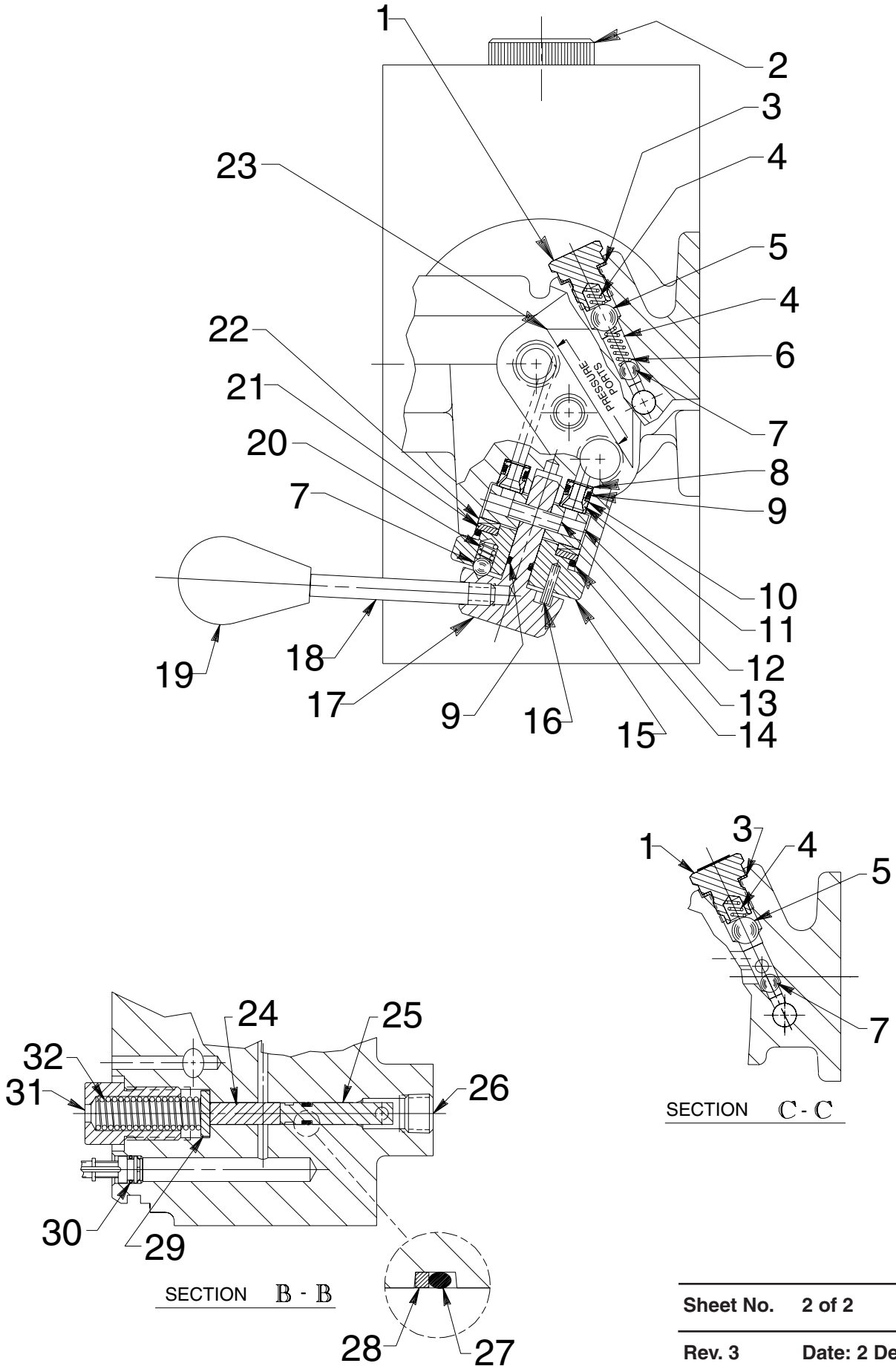
Note: Shaded areas reflect last revision(s) made to this form.

### NOTE

Standard relief valves are set at 10,000/10,700 PSI.  
 Relief valves pre-set at special settings are available.

Refer to your pump model number or contact Power Team Technical Services.

### PUMP END VIEW AND SECTIONS B-B & C-C



## Parts List, Form No. 101430, Back sheet 2 of 2

Item No.	Part No.	No. Req'd	Description
1	305975	2	Valve Screw (Torque to 350/370 in. lbs.)
2	17586	1	Sight Gauge
3	•†*14874	2	Soft Copper Washer (.700 X 1/2 X 1/32)
4	•†*10444	3	Compression Spring (3/16 I.D. X 13/32 Lg.)
5	•†*10378	2	Steel Ball (3/8 Dia.)
6	•†*211797	1	Spring (5/32 O.D. X 5/8 Lg.)
7	•†*10375	3	Steel Ball (1/4 dia.)
8	•†*12187	3	Washer
9	*10266	4	O-ring (3/8 X 1/4 X 1/16)
	11438	4	O-ring (Viton; 3/8 x 1/4 x 1/16)
	17715	4	O-ring (EPR; 3/8 X 1/4 X 1/16)
10	•†*12184	3	Backup Washer (3/8 X 1/4 X .048)
11	•†*24570	3	Shear Seal
12	32071	1	Rotor
13	10716	1	Roll Pin
14	*10930	1	O-ring (1-1/2 X 1-5/16 X 3/32)
	†19008	1	O-ring (Viton; 1-1/2 x 1-5/16 x .093)
	•13455	1	O-ring (EPR; 1-1/2 x 1-5/16 x .093)
15	25821	1	Cover
16	11587	1	Roll Pin
17	32070	1	Stem
18	24564	1	Stud
19	12821	1	Plastic Oval Knob
20	•†*12195	1	Spring (1/4 O.D. X 1/2 Lg.)
21	12189	1	Thrust Washer
22	12188	1	Needle Bearing
23	215302	.5	Pressure Decal
24	14588	1	Dowel Pin
25	252275	1	Unloading Valve Piston Kit
26	14972	1	Pipe Plug (1/4 NPTF)
27	*10265	1	O-ring (5/16 X 3/16 X 1/16)
	†11437	1	O-ring (Viton; 5/16 X 3/16 X 1/16)
	•17714	1	O-ring (EPR; 5/16 X 3/16 X 1/16)
28	•†*15174	1	Backup Washer (5/16 X 3/16 X 3/64)
29	214692	1	Disc
30	*12557	1	O-ring (11/32 X 7/32 X 1/16)
	†18973	1	O-ring (Viton; 11/32 X 7/32 X 1/16)
	•215375	1	O-ring (EPR; 11/32 X 7/32 X 1/16)
31	308430	1	Unloading Valve Fitting
32	214694	1	Compression Spring (1/2 O.D. X 2-1/8 Lg.)

Part numbers marked with an asterisk (\*) are contained in Repair Kit No. 300698.

Part numbers marked with a dagger (†) are contained in Viton Seal Kit No. 300699.

Part numbers marked with a bullet (•) are contained in EPR Seal Kit No. 300700.

Refer to any operation instructions included with this product for detailed information about operation, testing, disassembly, reassembly, and preventive maintenance.

Items found in this parts list have been carefully tested and selected. **Therefore: Use only genuine Power Team replacement parts!**

Additional questions can be directed to our Technical Services Department.