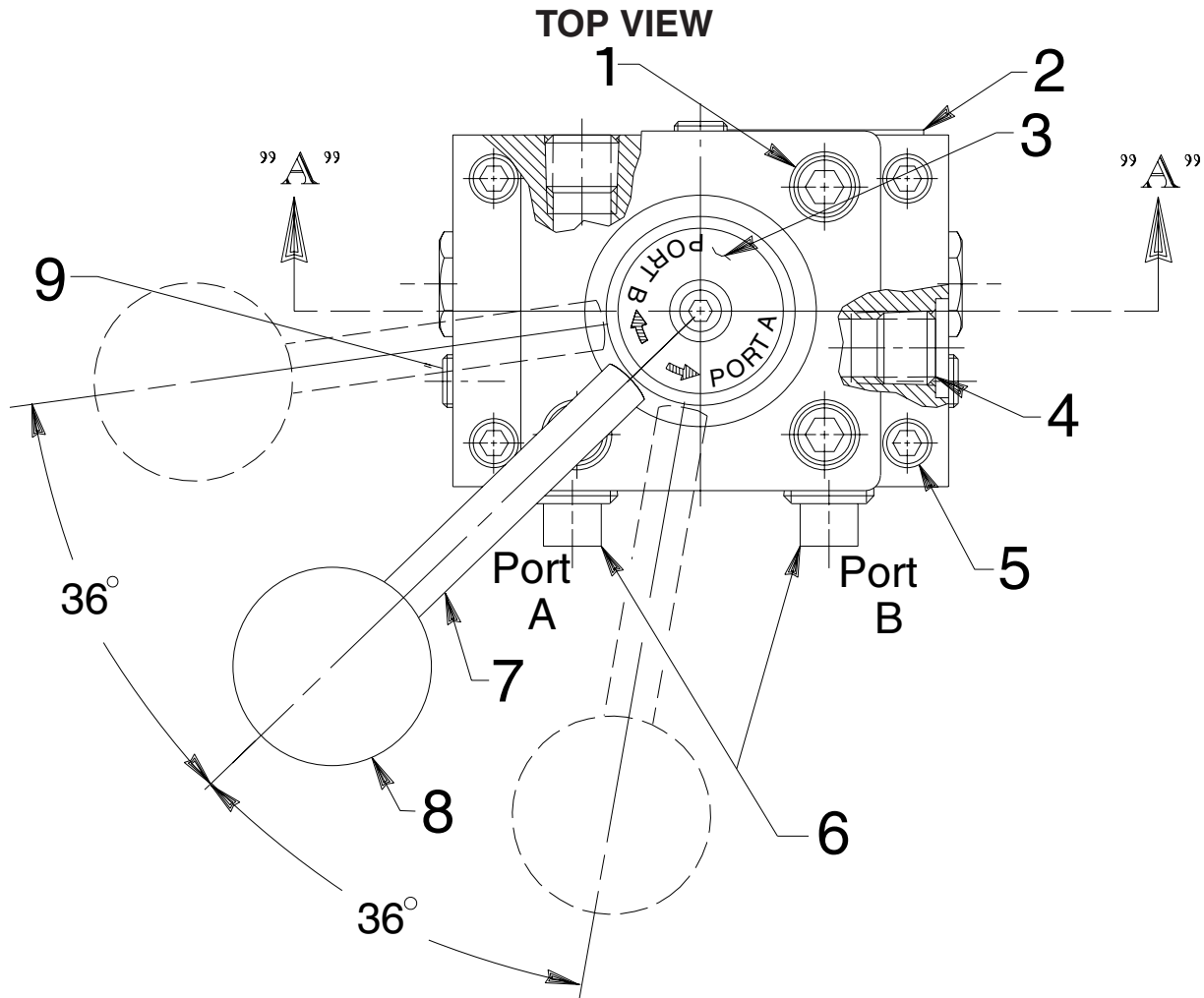


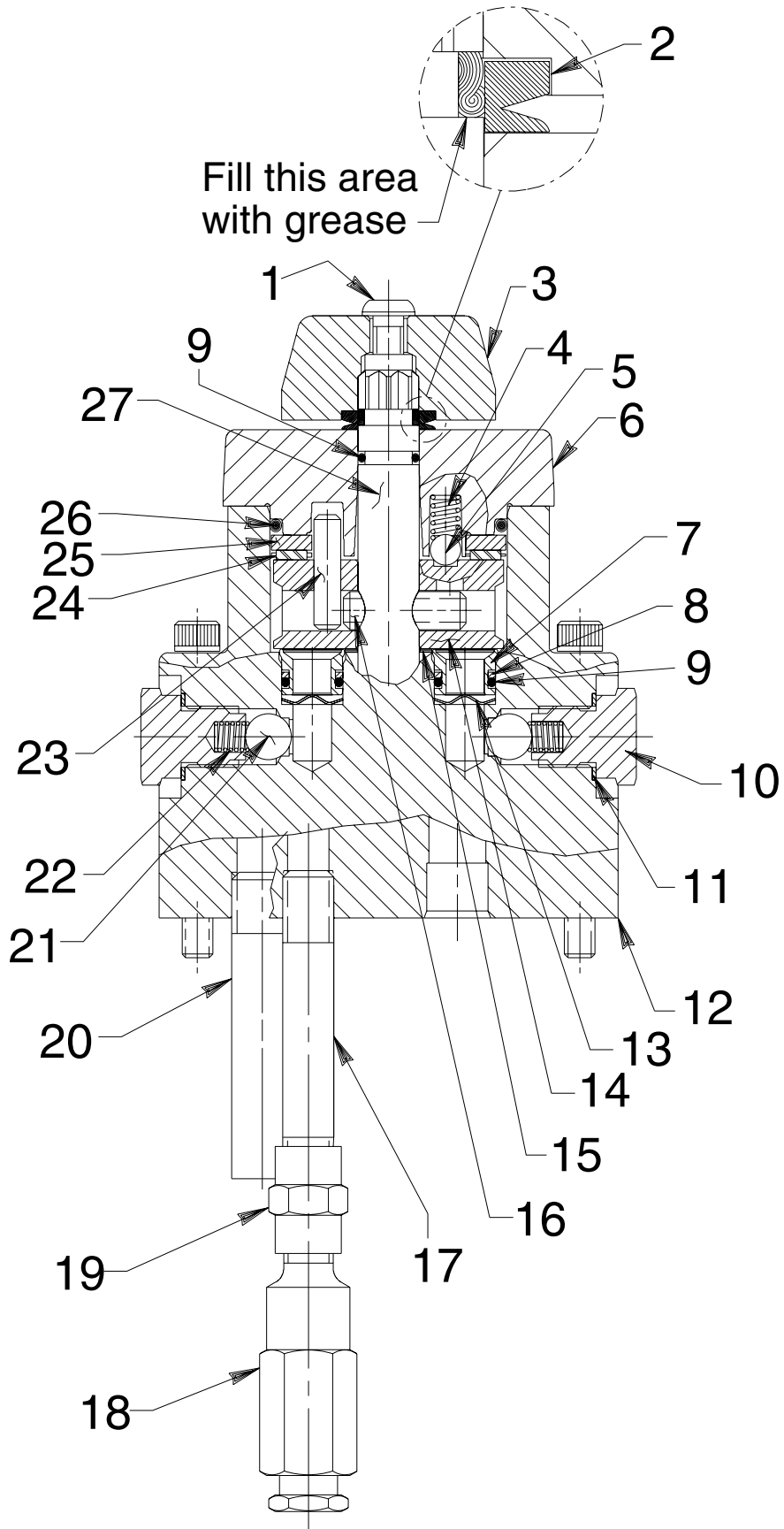
## VALVE ASSEMBLY



Item No.	Part No.	No. Req'd	Description
1	11013	4	Cap Screw (5/16-18 X 1" Lg.; Torque to 300/320 in. lbs.)
2	209383	1	Decal
3	211936	1	Decal
4	14972	2	Pipe Plug (1/4 NPTF)
5	10856	4	Cap Screw (1/4-20 UNC X 2-1/2 Lg.)
6	11127	2	Pressure Plug (3/8 NPTF)
7	250042	1	Stud
8	211911	1	Plastic Knob
9	15130	3	Plug (1/16 NPTF)



SECTION A-A



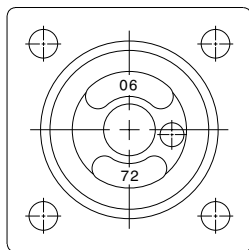
Item No.	Part No.	No. Req'd	Description	Item No.	Part No.	No. Req'd	Description
1	15911	1	Cap Screw (1/4-20 X 5/8 Lg.; Torque to 60/80 in. lbs. Note: Apply Loctite No. 222 or equiv. at assembly)	14	46086	1	Rotor
2	*213674	1	Packing	15	214801	1	Spacer Washer
3	46057	1	End Stem	16	10496	1	Pin
4	15691	1	Compression Spring (1/4 O.D. X 5/8 Lg.)	17	15456	1	Straight Fitting
5	10375	1	Steel Ball (1/4 Dia.)	18	21278-15	1	Relief Valve (Set at 1,500/1,700 PSI)
6	61343	1	Valve Cap	19	18841	1	Pipe Connector
7	202480	5	Seal	20	200609	1	Drain Tube
8	*11863	5	Backup Washer (1/2 X 3/8 X 1/16, -012)	21	10378	2	Steel Ball (3/8 Dia.)
9	*10268	6	O-ring (1/2 X 3/8 X 1/16, -012; Nitrile)	22	10444	2	Compression Spring (3/16 I.D. X 13/32 Lg.)
	11439	6	O-ring (1/2 X 3/8 X 1/16, -012; Viton)	23	250056	1	Pin (7/32 Dia. X 15/16 Lg.)
	17716	6	O-ring (1/2 X 3/8 X 1/16, -012; EPR)	24	11228	1	Thrust Bearing
10	305975	2	Valve Screw (Torque to 30/35 ft. lbs.)	25	11227-1	1	Bearing Race
11	*14874	2	Soft Copper Washer (.700 X 1/2 X 1/32)	26	*15892	1	O-ring (1.956 X 1.720 X .118, -924; Nitrile)
12	64746	1	Valve Body		19097	1	O-ring (1.956 X 1.720 X .118, -924; Viton)
13	21975	5	Spring Washer		212887	1	O-ring (1.956 X 1.720 X .118, -924; EPR)
				27	46048	1	Stem



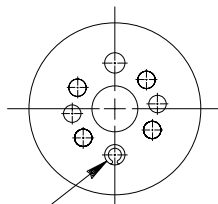
Part numbers marked with an asterisk (\*) are contained in Repair Kit No. 300451.

Note: Alternate material seals listed for special valves factory equipped with viton or EPR seals.

SPECIFICATIONS

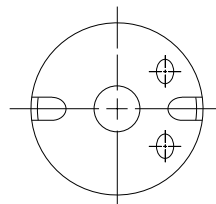


END CAP  
BOTTOM VIEW

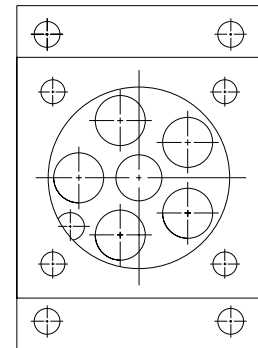


ROTOR  
TOP VIEW

ROLL PIN LOCATION  
(POSITION OPENING AS SHOWN)



ROTOR  
BOTTOM VIEW



VALVE BODY  
TOP VIEW

FUNCTION

Center (Hold) Position:

- "A" and "B" Ports blocked
- "Pressure" Port to tank

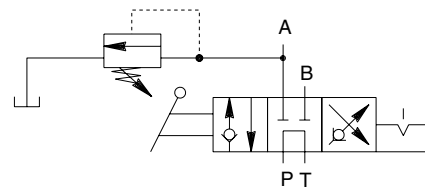
Advance Position:

- Pressure to "A" Port (Reverse flow checked)
- "B" Port to tank

Return Position:

- Pressure to "B" Port (Reverse flow checked)
- "A" Port to tank

NOTE: "A" and "B" Ports are blocked with the pressure port open to tank during transition between valve positions. (Non-Interflow)

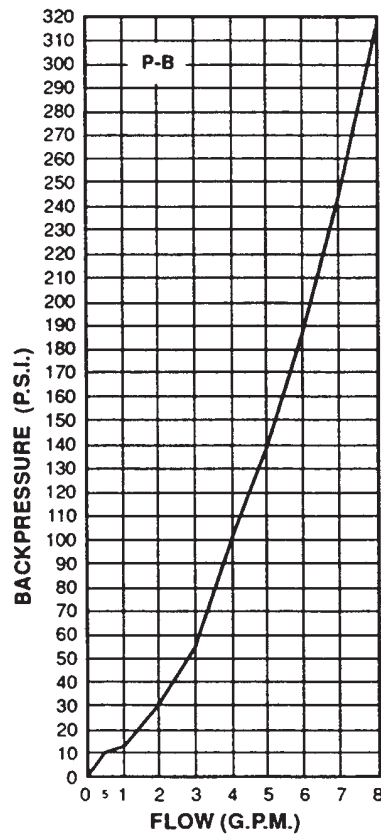
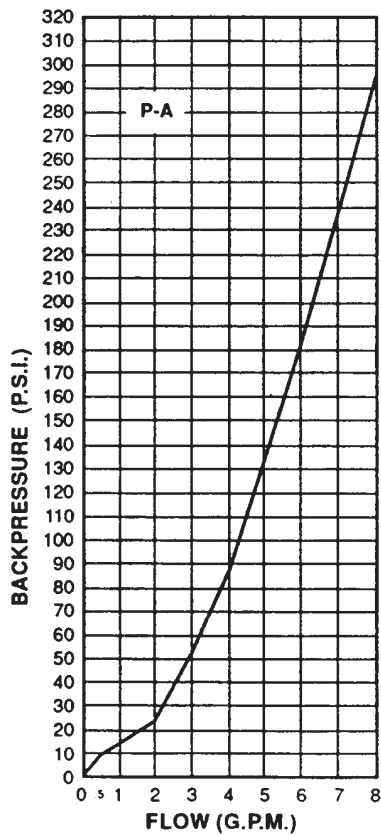
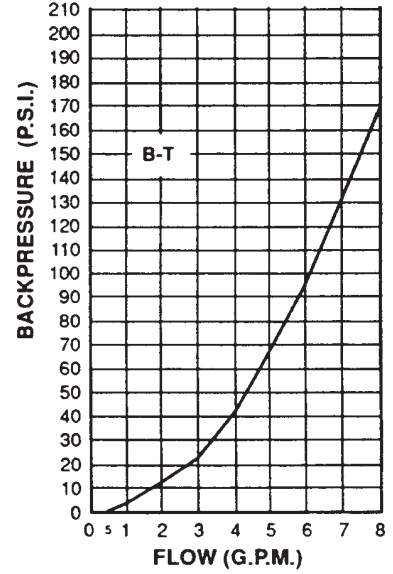
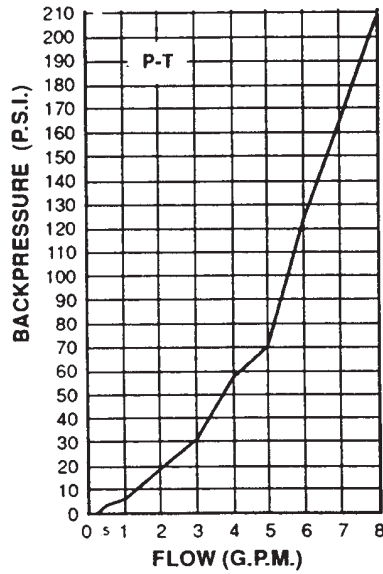
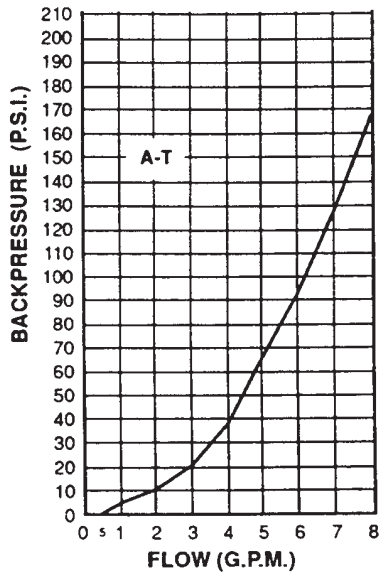


HYDRAULIC SCHEMATIC

Rated Pressure: 10,000 PSI  
Case Pressure: 500 PSI Max.  
Rated Flow: 5 GPM

Note: Shaded areas reflect last revision(s) made to this form.

## PRESSURE DROP AND FLOW CHARACTERISTICS CHARTS

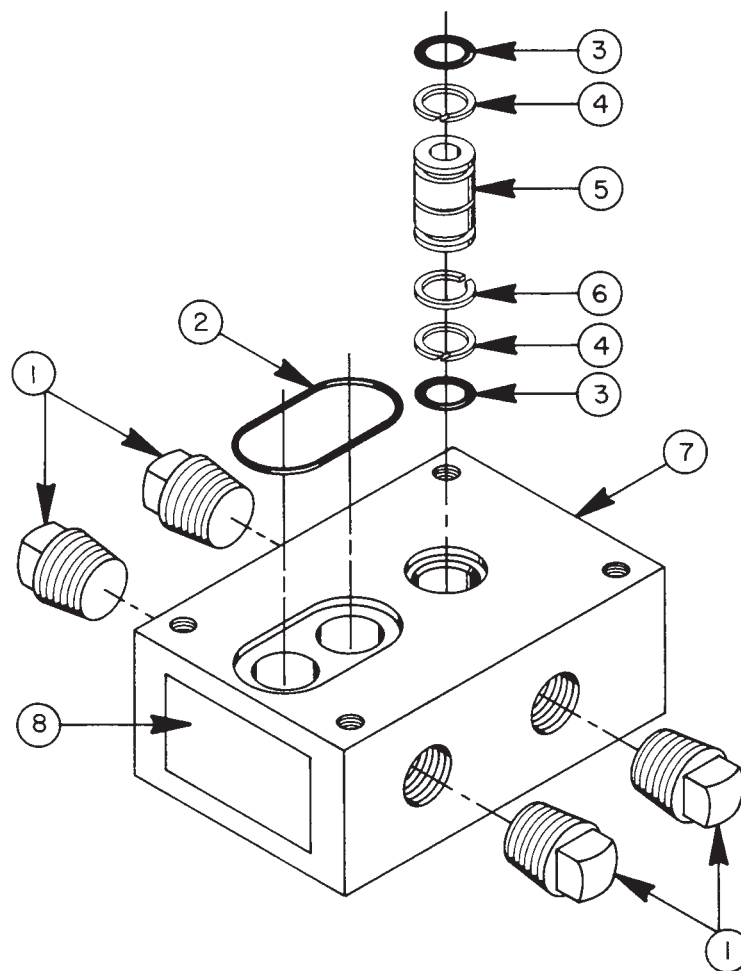


Refer to any operating instructions included with this product for detailed information about operation, testing, disassembly, reassembly, and preventive maintenance.

Items found in this parts list have been carefully tested and selected. **Therefore: Use only genuine Power Team replacement parts!**

Additional questions can be directed to our Technical Services Department.

### #9510 REMOTE MOUNTED VALVE SUBPLATE



Item No.	Part No.	No. Req'd	Description
1	11127	4	Pipe Plug (3/8 NPTF)
2	*10914	1	O-ring (1-3/8 X 1-3/16 X 3/32, -123; Nitrile)
	19007	1	O-ring (1-3/8 X 1-3/16 X 3/32, -123; Viton)
	12486	1	O-ring (1-3/8 X 1-3/16 X 3/32, -123; EPR)
3	*10268	2	O-ring (1/2 X 3/8 X 1/16, -012; Nitrile)
	19092	2	O-ring (1/2 X 3/8 X 1/16, -012; Viton)
	17723	2	O-ring (1/2 X 3/8 X 1/16, -012; EPR)
4	11863	2	Backup Washer (1/2 X 3/8 X 1/16, -012)
5	21094	1	Bushing
6	251124	1	Retaining Ring
7	52506	1	Manifold Body
8	208358	1	Warning Decal

Part Numbers marked with an asterisk (\*) are contained in Repair Kit No. 300451.

Note: Alternate material seals listed for special valves factory equipped with viton or EPR seals.

Note: Shaded areas reflect last revision(s) made to this form.

Sheet No. 3 of 3

Issue Date: Rev. 2-10-96