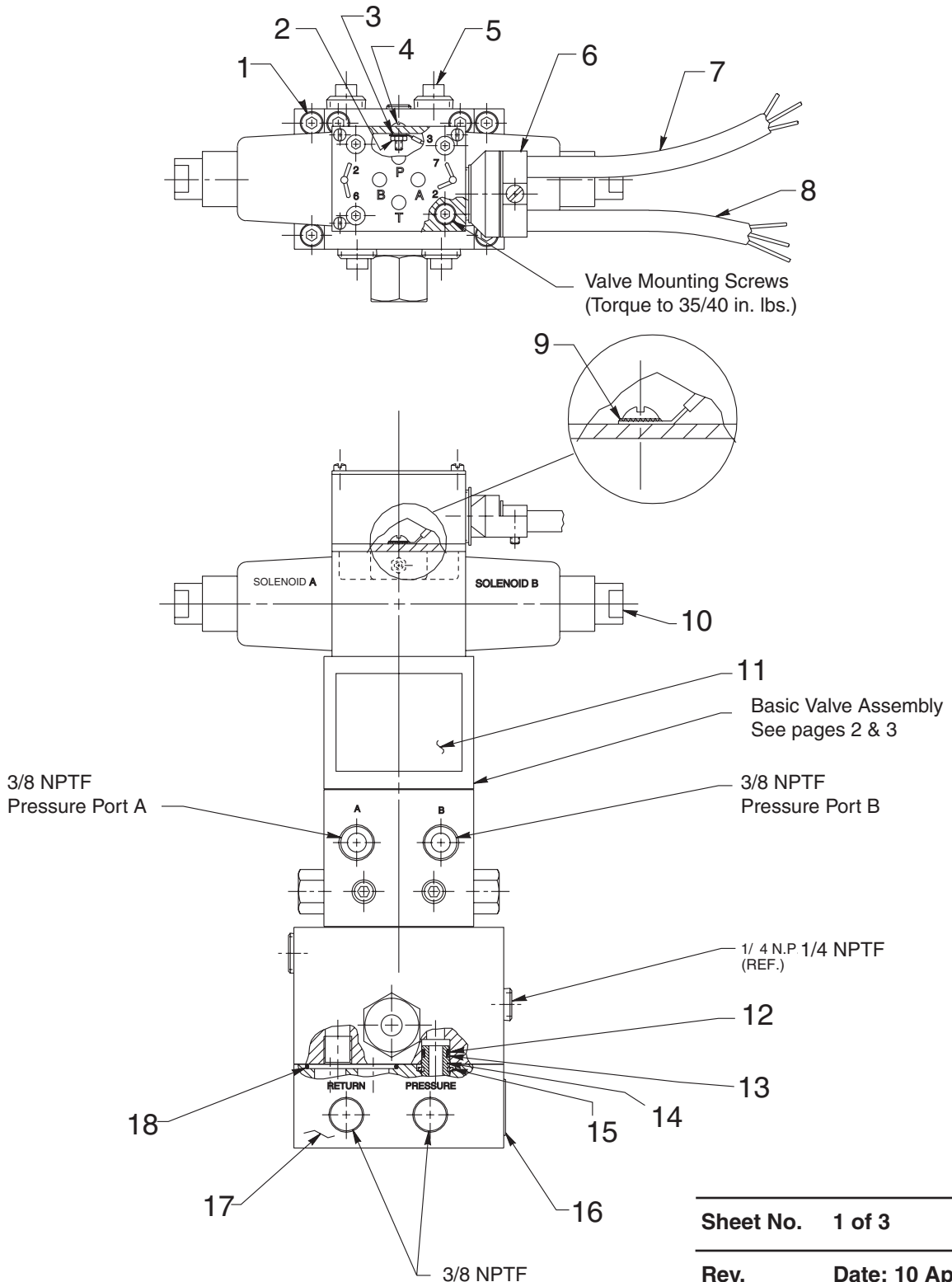


**MODEL B**  
**SOLENOID CONTROLLED, PILOT OPERATED, 3 POSITION, 4-WAY**  
**VALVE ASSEMBLY**



# Parts List, Form No. 101459, Back sheet 1 of 3

Item No.	Part No.	No. Req'd	Description
1	10856	4	Cap Screw (Torque to 70/80 in. lbs.)
2	10195	1	Nut (#6-32)
3	15906	1	Lockwasher (#6)
4	10448	1	Screw (#6 x 3/8 Lg.)
5	11127	4	Pipe Plug (3/8 NPTF)
6	17866	1	Connector
7	24733	1	Power Cord
8	202778	1	Remote Control Hand Switch
9	15904	1	Terminal Ring
10	16664-1	1	Solenoid Valve

Item No.	Part No.	No. Req'd	Description
11	251692	1	Identification Decal
12	*10268	2	O-ring (1/2 x 3/8 x 1/16, -012)
13	*11863	2	Backup Washer (1/2 x 3/8 x 1/16, -012)
14	21094	1	Bushing
15	251124	1	Retaining Ring
16	*208358	1	Warning Decal
17	52506	1	Subplate
18	*10914	1	O-ring (1-3/8 x 1-1/16 x 3/32, -123)

Part numbers marked with an asterisk (\*) are contained in Repair Kit No. 300495.

## OPERATION

**Neutral (Hold):** When both solenoids are de-energized, oil from pump circulates at free flow from the pressure port "P" to tank "T". Both cylinder ports are blocked.

**Solenoid "A" Energized:** Pressure to cylinder port "A". Cylinder port "B" to tank.

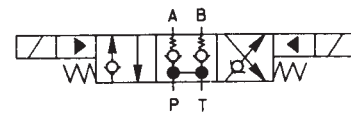
**Solenoid "B" Energized:** Pressure to cylinder port "B". Cylinder port "A" to tank.

**NOTE:** Pressure holds without loss when shifted from cylinder port to the neutral (Hold) position.

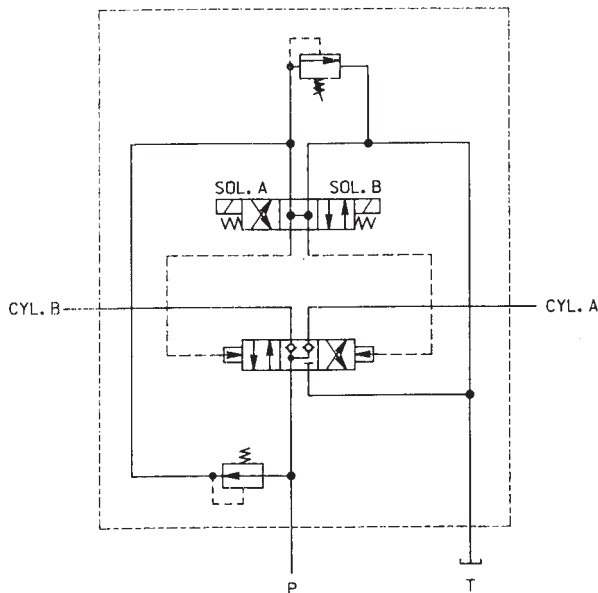
For pump, connect lines to pressure and return ports on remote mounted valve. Connect double-acting cylinder to valve. With remote control, operate cylinder to assure proper function of valve.

PORT SIZES: 3/8" NPTF  
 MAXIMUM PRESSURE: 10,000 PSI  
 MAX. RECOMMENDED FLOW: 5 GPM

### SIMPLIFIED SYMBOL

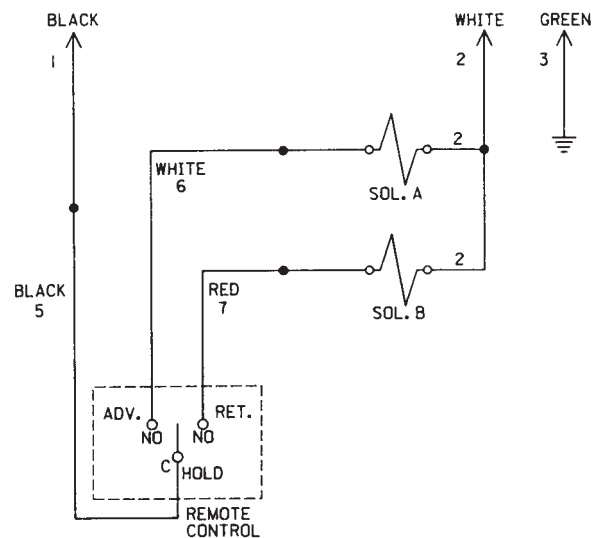


## HYDRAULIC SCHEMATIC

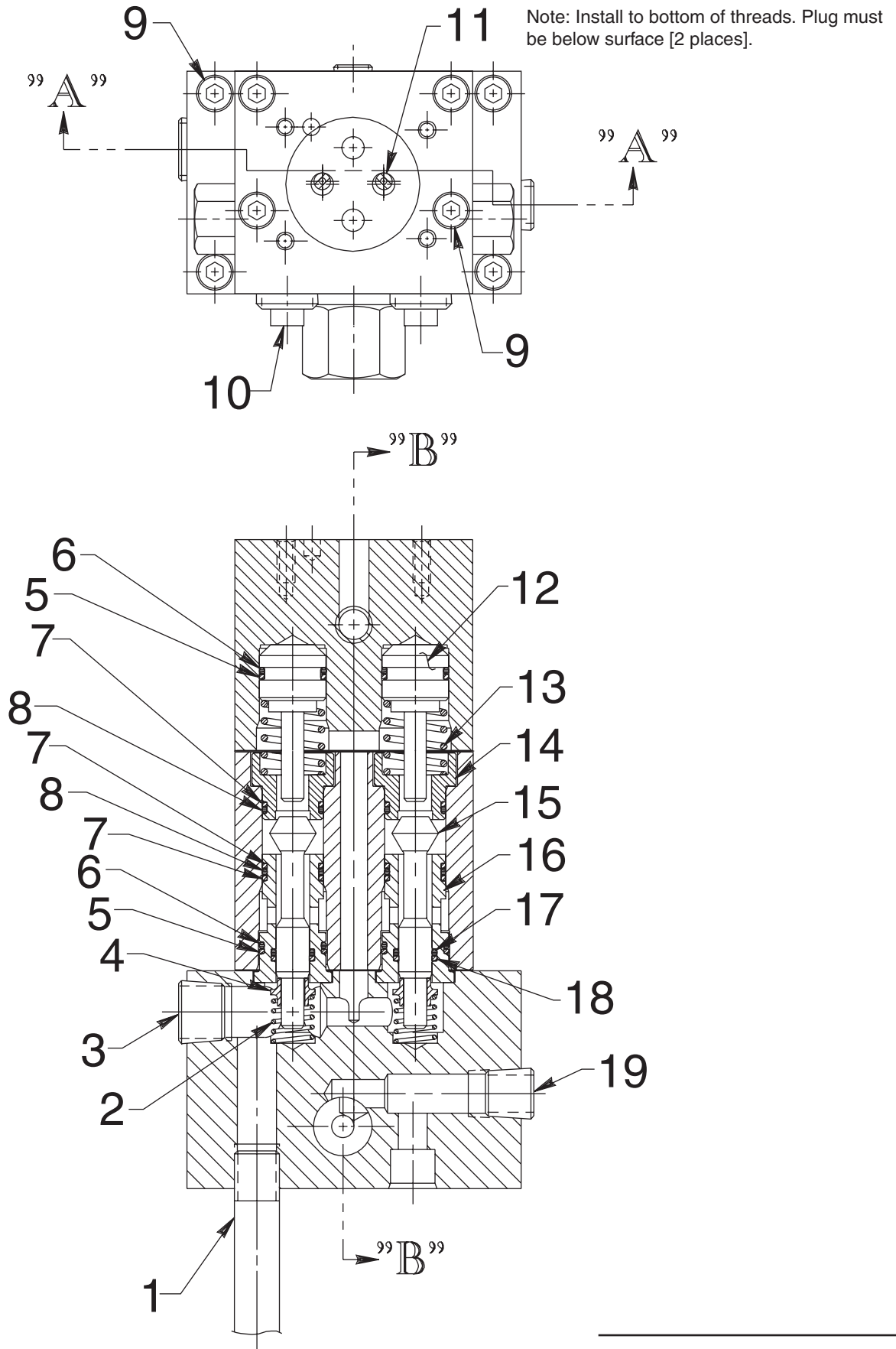


## ELECTRICAL SCHEMATIC

115 Volt, 60 Hz.



### TOP VIEW AND SECTION A-A



### SECTION A-A

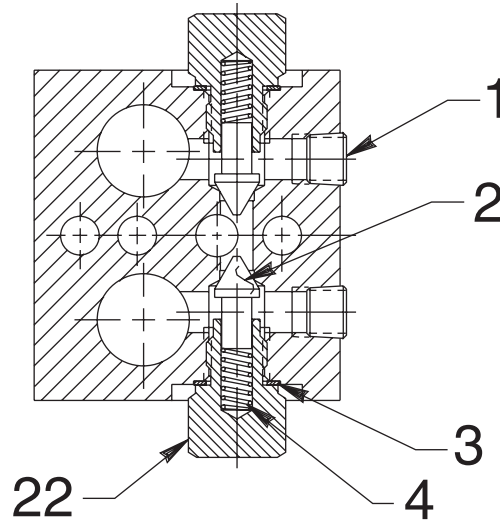
## Parts List, Form No. 101459, Back sheet 2 of 3

---

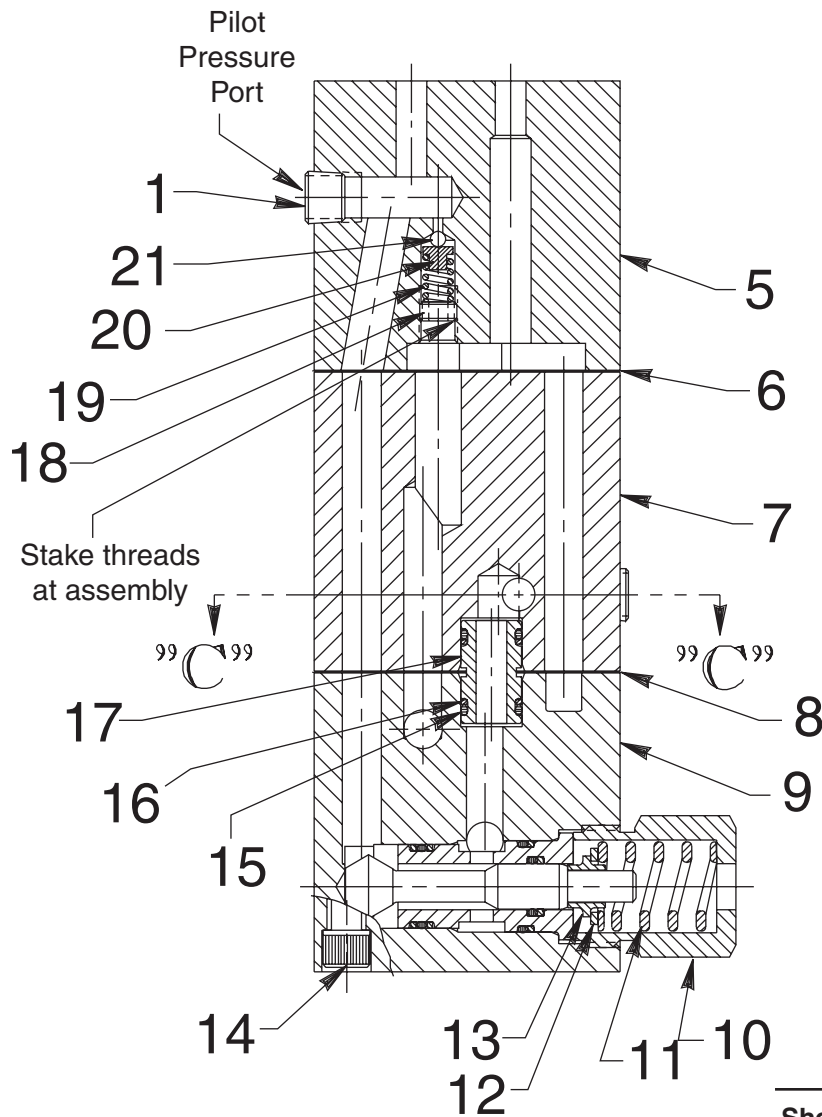
<b>Item No.</b>	<b>Part No.</b>	<b>No. Req'd</b>	<b>Description</b>
1	<b>200609</b>	1	Drain Tube
2	<b>11195</b>	2	Compression Spring (1/2 O.D. x 3/4 Lg.)
3	<b>10909</b>	1	Plug (3/8 NPTF)
4	<b>202479</b>	2	Check Valve Spring Guide
5	<b>*12392</b>	4	Backup Washer (3/4 x 5/8 x 3/64, -016)
6	<b>*10302</b>	4	O-ring (3/4 x 3/8 x 1/16, -016)
7	<b>*12391</b>	6	Backup Washer (11/16 x 9/16 x 3/64, -015)
8	<b>*11284</b>	4	O-ring (11/16 x 9/16 x 1/16, -015)
9	<b>10856</b>	8	Cap Screw (1/4-20 x 2-1/2 Lg.; Torque to 150/170 in. lbs.)
10	<b>11127</b>	2	Plug (3/8 NPTF)
11	<b>251675</b>	2	Orifice Plug (Note: Install to bottom of threads. Plug must be below surface [2 places].)
12	<b>307090</b>	2	Pilot Piston
13	<b>213880</b>	2	Compression Spring (11/16 O.D. x 1" Lg.)
14	<b>307089</b>	2	Valve Seat
15	<b>200542</b>	2	Poppet
16	<b>22068</b>	2	Bushing
17	<b>*10268</b>	2	O-ring (1/2 x 3/8 x 1/16, -012)
18	<b>*11863</b>	2	Backup Washer (1/2 x 3/8 x 3/64, -012)
19	<b>10479</b>	1	Pipe Plug (1/4 NPTF)

Part numbers marked with an asterisk (\*) are contained in Repair Kit No. 300495.

SECTIONS B-B AND C-C



SECTION C-C



SECTION B-B

## Parts List, Form No. 101459, Back sheet 3 of 3

Item No.	Part No.	No. Req'd	Description
1	10427	3	Pipe Plug (1/8 NPTF)
2	213096	2	Poppet
3	*14874	2	Copper Washer (11/16 x 1/2 x 1/32)
4	15691	2	Compression Spring (1/4 O.D. x 5/8 Lg.)
5	61751	1	Valve Body (Top)
6	*307282	1	Gasket (Top/Center)
7	61529	1	Valve Body (Center)
8	*307579	1	Gasket (Center/Lower)
9	61528	1	Valve Body (Lower)
10	202494	1	Spring Retainer (Torque to 100/125 ft. lbs.)
11	14979	1	Compression Spring (3/4 O.D. x 1" Lg.)
12	16668	1	Washer (5/8 x 3/8 x 1/16)
13	202479	1	Check Valve Spring Guide
14	10856	4	Cap Screw (1/4-20 x 2-1/2 Lg.; Torque to 200/230 in. lbs.)
15	*10268	3	O-ring (1/2 x 3/8 x 1/16, -012)
16	*11863	3	Backup Washer (1/2 x 3/8 x 3/64, -012)
17	21094	1	Bushing
18	16704	1	Soc. Hd. Jam Screw (5/16-24 UNF x 5/32 Lg.)
19	16665	1	Compression Spring (5/32 I.D. x 1/2 Lg.)
20	202499	1	Spring Guide
21	10418	1	Steel Ball (1/8 dia.)

Part numbers marked with an asterisk (\*) are contained in Repair Kit No. 300495.

Refer to any operating instructions included with this product for detailed information about operation, testing, disassembly, reassembly, and preventive maintenance.

Items found in this parts list have been carefully tested and selected. **Therefore: Use only genuine replacement parts!**

Additional questions can be directed to our Technical Services Department.