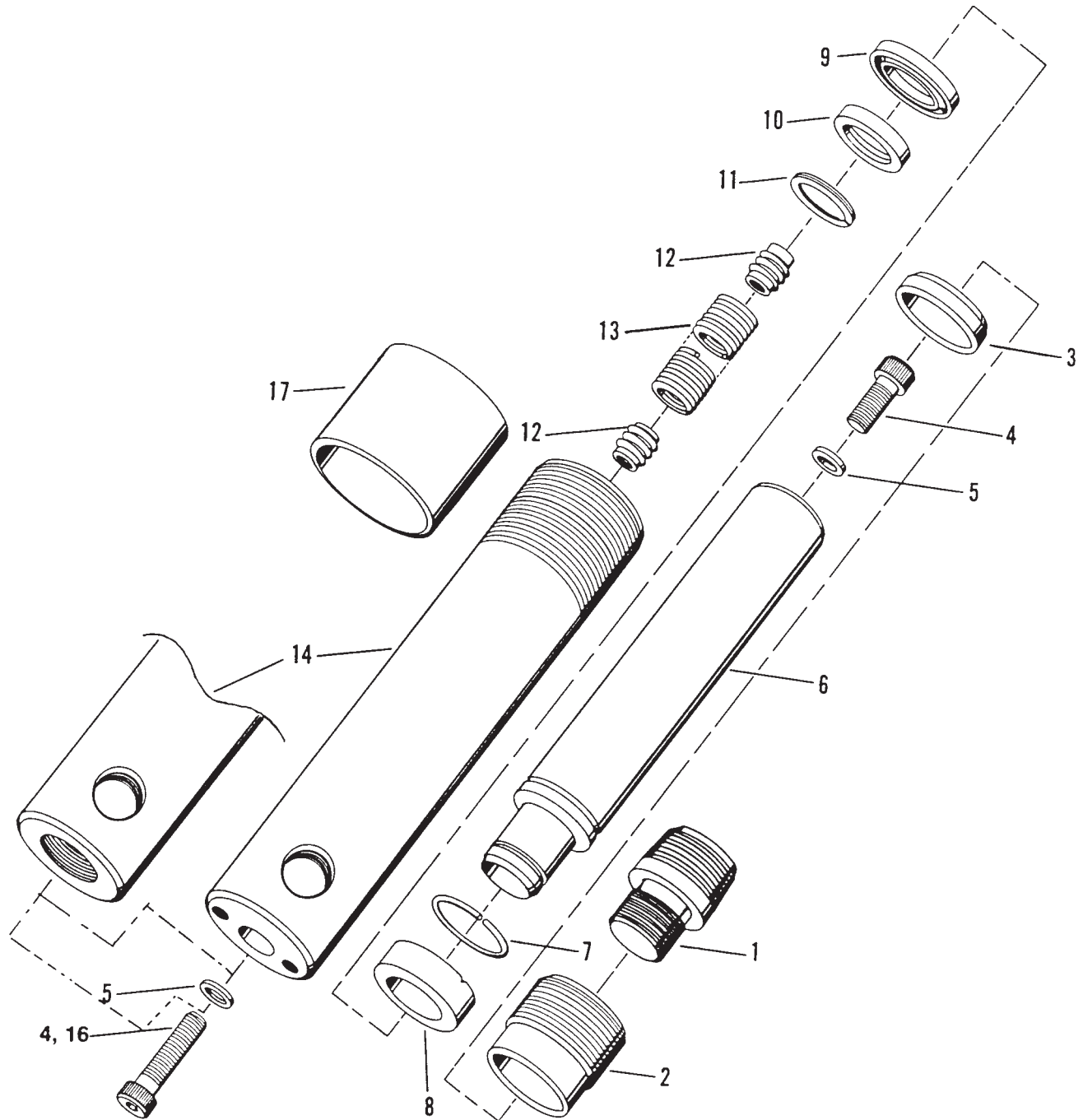


Model B
SINGLE-ACTING, SPRING RETURN
HYDRAULIC CYLINDER
 Max. Capacity: 11.2 Tons at 10,000 PSI



Parts List, Form No. 101468, Back sheet 1 of 2

Item No.	Part No.	No. Req'd	Description
1	202179	1	Thread Adapter
2	351051	1	Retainer Nut (For 4105CAR & 420362; Torque to 90/100 in. lbs.)
	351030	1	Retainer Nut (For 36762; Torque to 40/50 in. lbs.)
3	†*201429	1	Rod Wiper
4	10008	2	Soc. Hd. Cap Screw (1/4-20 X 3/4 Lg.; Torque to 90/110 in. lbs. - For 36762)
	10006	1	Soc. Hd. Cap Screw (1/4-20 X 5/8 Lg.; Torque to 90/110 in. lbs. - For 4105CAR, & 420362)
5	†*10442	2	Copper Washer
6	420984	1	Piston Rod (For 36762)
	421073	1	Piston Rod (For 4105CAR, & 420362)
7	201433	1	Retaining Ring
8	201363	1	Piston Head (For 36762)
	201364	1	Piston Head (Assemble with groove towards shoulder - For 4105CAR, & 420362)
9	*16067	1	U-cup Piston Seal
	†205704	1	U-cup Piston Seal
10	201359	1	Slip Retainer
11	*16076	1	Retaining Ring
12	201360	2	Spring Retainer
13	201430	1	Extension Spring (For 36762)
	201432	1	Extension Spring (For 4105CAR & 420362)
14	42158	1	Cylinder Body (For 36762)
	42448	1	Cylinder Body (For 4105CAR & 420362)
16	16064	1	Soc. Hd. Cap Screw (1/4-20 X 3-1/2 Lg.; Torque to 90/110 in. lbs. For 4105CAR, & 420362)
17	36146	1	Thread Protector - Plastic

PARTS INCLUDED BUT NOT SHOWN

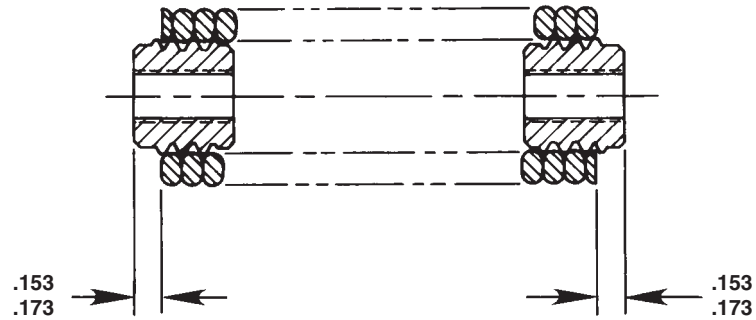
421102	1	Full Coverage Decal (For 420362)
9796	1	Ram Half Coupler (For 4105CAR & 420362)
*203908	1	Warning Decal (For 4105CAR)
†206554	1	U-cup Backup Washer
†19526	1	O-ring (-210; for coupler)
†205724	1	Decal (Viton seals)
420989	1	Full Coverage Decal (For 36762)

Part numbers marked with an asterisk (*) are contained in Standard Repair Kit No. 300116.

Part numbers marked with a dagger (†) are contained in Viton Seal Kit No. 300211.



SPRING & RETAINER ASSEMBLY



Spring must not extend beyond threads of spring retainer on either end. Stretch, clean and lubricate before assembly.

Refer to any operating instructions included with this product for detailed information about operation, testing, disassembly, reassembly, and preventive maintenance.

Items found in this parts list have been carefully tested and selected. **Therefore: Use only genuine Power Team replacement parts!**

Additional questions can be directed to our Technical Services Department.