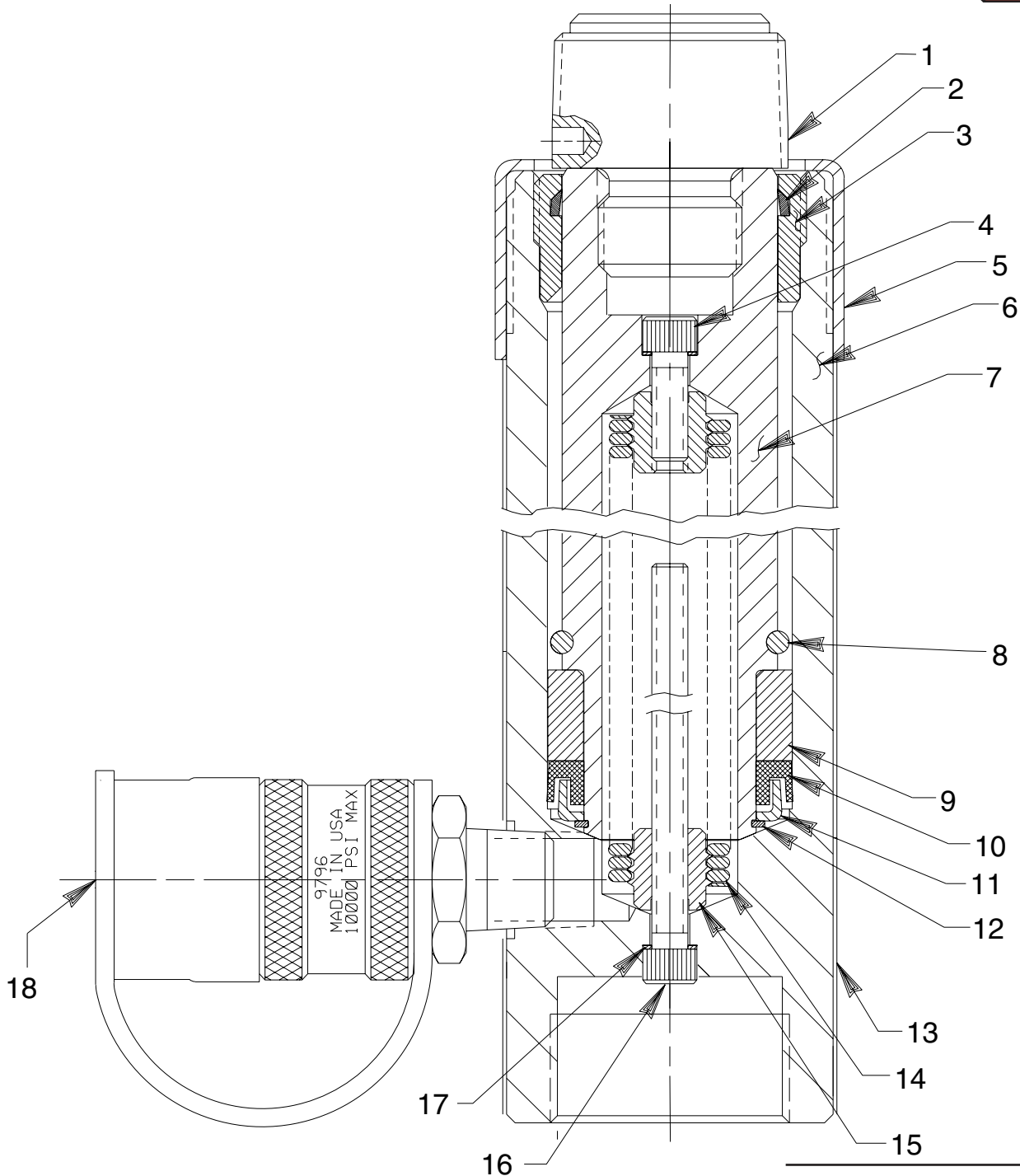


Parts List for:		Form No. 101484
4104CAR		420622
4105-JKT		420622-ACR
4105-JKTL		420622-ESG
420621		420711
420621-ACR		420711-CHIEF
420621-ESG		420711-CIS

Model B
SINGLE-ACTING, SPRING RETURN
HYDRAULIC CYLINDER
 Max. Capacity: 11.2 Ton (101,2 kN) at 10,000 PSI (700 Bar)



Parts List, Form No. 101484, Back sheet 1 of 1

Item No.	Part No.	No. Req'd	Description
1	202179	1	Threaded Adapter (Torque to 100 ft. lbs.; Not included in 420711-CHIEF, 420621-ESG, 420622-ESG & 4105-JKTL)
2	†*201429	1	Rod Wiper
3	351051	1	Retainer Nut (Torque to 90/100 in. lbs.)
4	10006	1	Cap Screw (1/4-20 UNC X 5/8 Lg.; Torque to 90/110 in. lbs.)
5	36146	1	Thread Protector
6	42447	1	Cylinder Body (For 420621, 420621-ACR, 420711, 420711-CHIEF, 4104CAR, 420621-ESG & 420711CIS)
	42448	1	Cylinder Body (For 420622, 420622-ACR, 4105-JKTL, 420622-ESG & 4105-JKT)
7	421003	1	Piston Rod (For 420621, 420621-ACR, 420711, 420711-CHIEF, 4104CAR, 420621-ESG & 420711-CIS)
	421073	1	Piston Rod (For 420622, 420622-ACR, 4105-JKTL, 420622-ESG & 4105-JKT)
8	201433	1	Retaining Ring
9	201364	1	Piston Head (Assemble with groove toward shoulder.)
10	*16067	1	U-cup
	†205704	1	U-cup
11	201359	1	Slip Retainer
12	*16076	1	Retaining Ring
13	420623	1	Full Coverage Decal (For 420621, 420621-ACR & 420621-ESG)
	420624	1	Full Coverage Decal (For 420622 & 420622-ACR & 420622-ESG)
	422049	1	Full Coverage Decal (For 4105-JKT)
	421044	1	Full Coverage Decal (For 420711, 420711-CHIEF & 420711-CIS)
	202173	1	Trade Name Decal (For 4105-JKT & 4105-JKTL)
14	201431	1	Extension Spring (For 420621, 420621-ACR, 420711, 420621-ESG & 420711-CHIEF)
	201432	1	Extension Spring (For 420622, 420622-ACR, 4105-JKTL, 420622-ESG & 4105-JKT)
15	201360	2	Spring Retainer
16	16064	1	Cap Screw (1/4-20 UNC x 3-1/2 Lg.; Torque to 90/110 in. lbs.)
17	†*10442	2	Copper Washer (3/8 X 1/4 X 1/32)
18	9796	1	Ram Half Coupler with Plastic Dust Cap (For 420621, 420622, 420711, 4105-JKT, 4105-JKTL, 420621-ESG, 420622-ESG, & 420711-CHIEF)
	11127	1	Pipe Plug (For 420621-ACR, 420622-ACR & 420711-CIS)

PARTS INCLUDED BUT NOT SHOWN

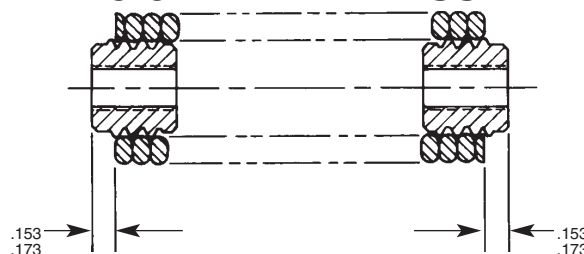
*203908	1	Warning Decal (For 4105-JKT, 4105-JKTL & 4104CAR)
†206554	1	U-cup Backup Washer
†19526	1	O-ring (For coupler)
†205724	1	Decal (Viton)
31772	1	Serrated Saddle (For 420711-CIS)



Part numbers marked with an asterisk (*) are contained in Standard Repair Kit No. 300116.

Part numbers marked with a dagger (†) are contained in Viton Seal Kit No. 300211.

SPRING & RETAINER ASSEMBLY



**Spring must not extend beyond threads spring retainer on either end.
Stretch, clean and lubricate before assembly.**

Refer to any operating instructions included with this product for detailed information about operation, testing, disassembly, reassembly, and preventive maintenance.

Items found in this parts list have been carefully tested and selected. **Therefore: Use only genuine Power Team replacement parts!**

Additional questions can be directed to our Technical Services Department.

Note: Shaded areas reflect last revision(s) made to this form.