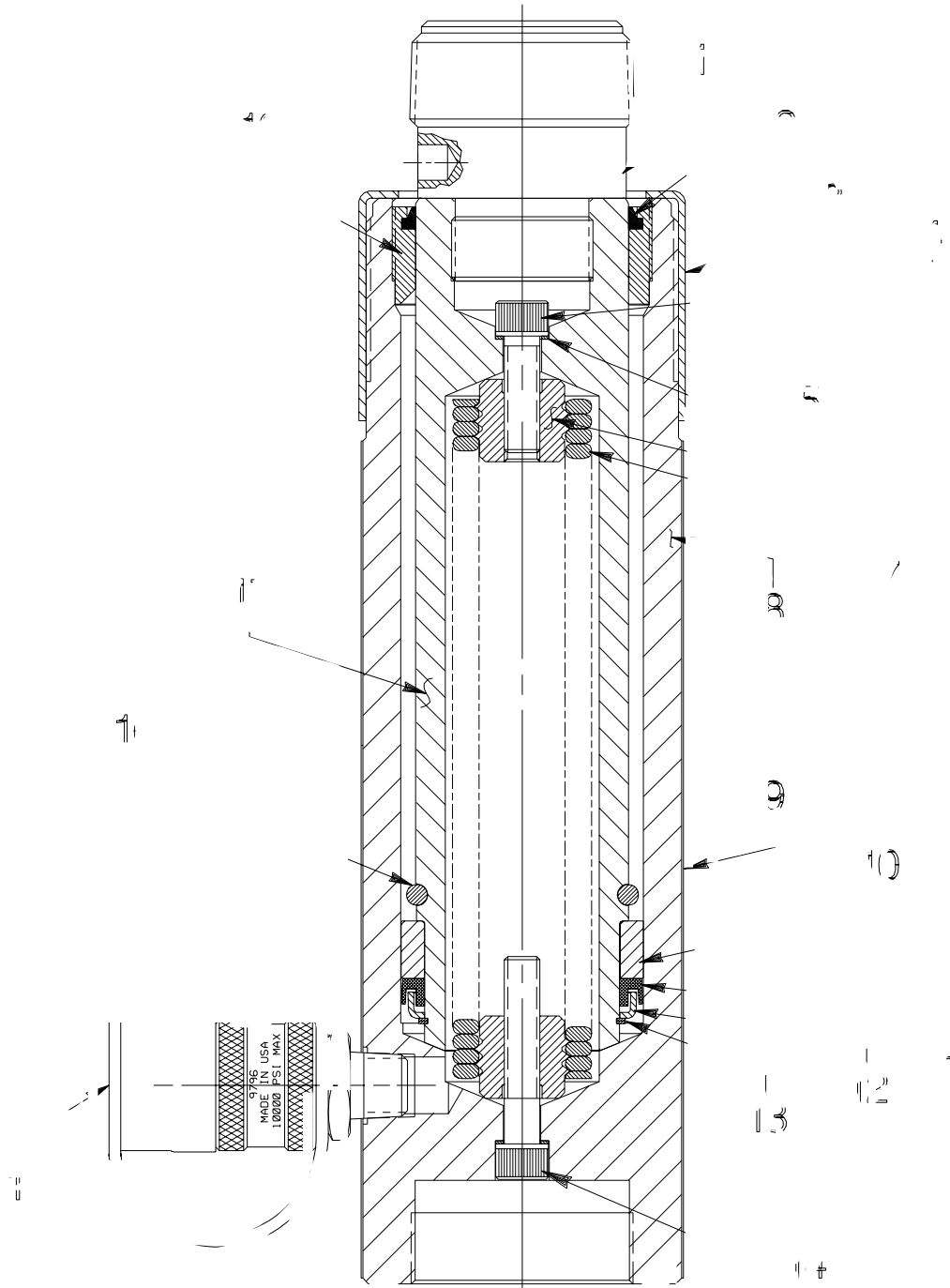


Parts List for:

51426
52025
58428
58429

Model B
SINGLE-ACTING, SPRING RETURN
HYDRAULIC CYLINDER
Max. Capacity: 25.8 Tons at 10,000 PSI



Parts List, Form No. 101490, Back sheet 1 of 1

Item No.	Part No.	No. Req'd	Description
1	201412	1	Thread Adapter Assembly (For 51426 & 52025)
	202180	1	Thread Adapter Assembly (For 58428 & 58429)
2	*16085	1	Rod Wiper
	†205716	1	Rod Wiper
3	36147	1	Thread Protector (For 58428 & 58429)
4	10053	1	Soc. Hd. Cap Screw (3/8-16 X 1-1/4 lg.; Torque to 400/425 in. lbs.)
5	*†12042	2	Copper Washer
6	201417	2	Spring Retainer (See diagram below)
7	201448	1	Extension Spring (For 51426 & 58428)
	201450	1	Extension Spring (For, 52025 & 58429)
8	58010	1	Cylinder Body (For 51426)
	51076	1	Cylinder Body (For 58428)
	51078	1	Cylinder Body (For 52025 & 58429)
9	421047	1	Full Coverage Decal (For 58428)
	421046	1	Full Coverage Decal (For 58429)
	422043	1	Full Coverage Decal (For 51426)
	422045	1	Full Coverage Decal (For 52025)
10	201352	1	Piston Head (Assemble with groove toward shoulder)
11	*15915	1	U-cup Piston Seal
	†205705	1	U-cup Piston Seal
12	201353	1	Slip Retainer
	†206556	1	U-cup Backup Washer
13	*16084	1	Retaining Ring
14	11531	1	Soc. Hd. Cap Screw (3/8-16 X 2" lg.; Torque to 400/425 in. lbs.)
15	9796	1	Ram Half Coupler (For 58428 & 58429)
16	201447	1	Retaining Ring
17	421029	1	Piston Rod (For 51426 & 58428)
	421033	1	Piston Rod (For 52025 & 58429)
18	351056	1	Retainer Nut (Torque to 90/100 ft. lbs.)

PARTS INCLUDED BUT NOT SHOWN

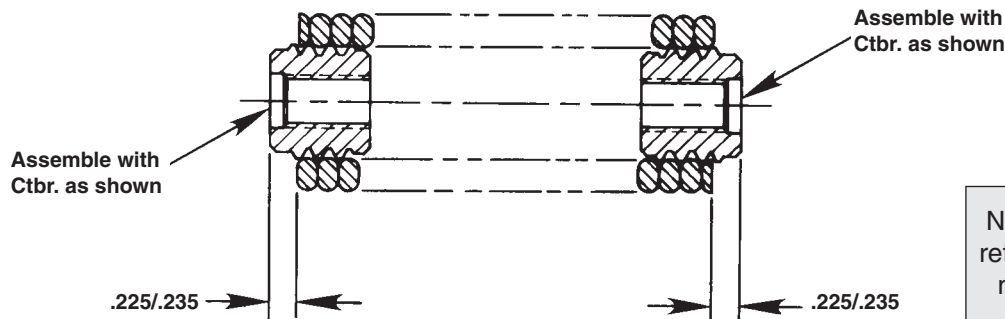
11127	1	Pressure Plug (For 51426 & 52025)
*37782	1	Warning Decal (For 52025)
†19526	1	O-ring (1" X 3/4 X 1/8; for coupler)
†205724	1	Decal (Viton seals)



Part numbers marked with an asterisk (*) are contained in Standard Repair Kit No. 300147.

Part numbers marked with a dagger (†) are contained in Viton Seal Kit No. 300213.

SPRING & RETAINER ASSEMBLY



Refer to any operating instructions included with this product for detailed information about operation, testing, disassembly, reassembly, and preventive maintenance.

Items found in this parts list have been carefully tested and selected. **Therefore: Use only genuine replacement parts!**

Additional questions can be directed to our Technical Services Department.