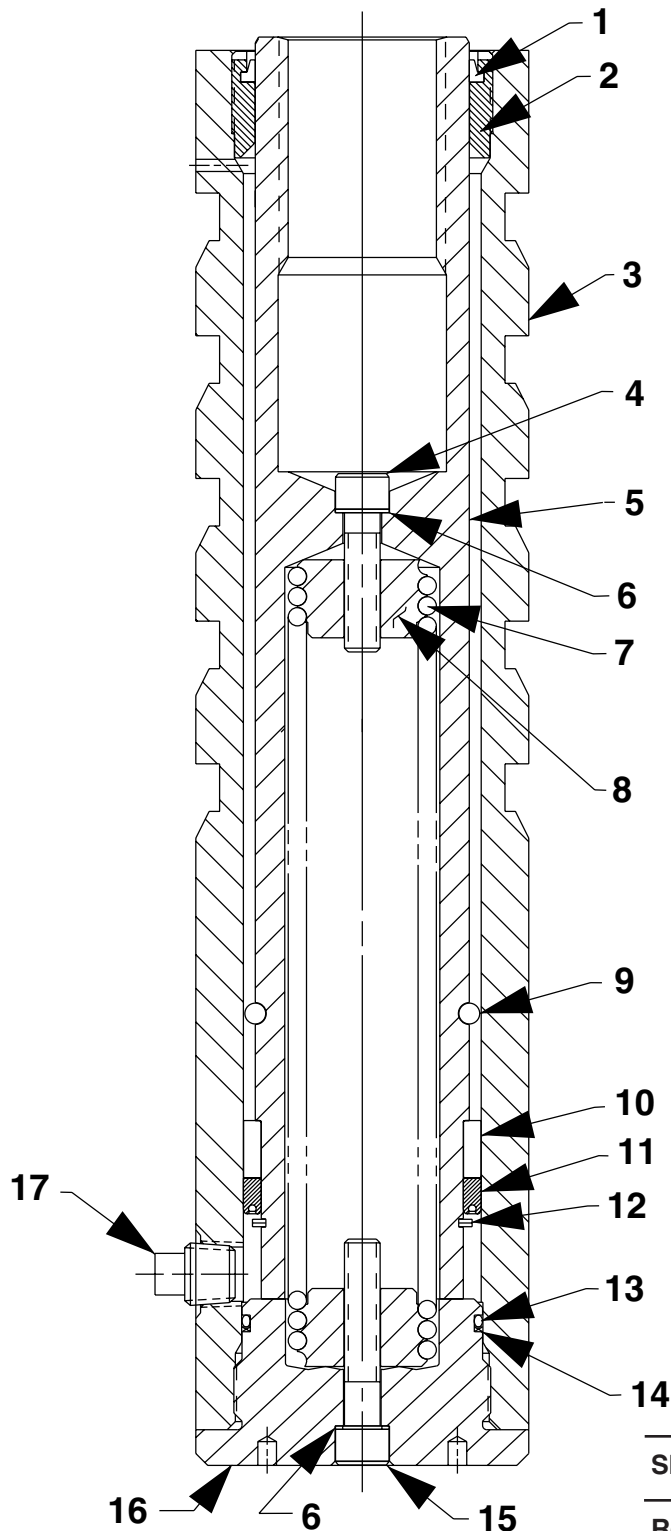


HYDRAULIC CYLINDER
 Max. Capacity: 15 Ton At 6,000 PSI



Item No.	Part No.	No. Req'd	Description
1	*16085	1	Rod Wiper
2	351056	1	Retainer Nut (Torque to 90/100 ft. lbs.)
3	58693	1	Cylinder Body (For J15A-SL)
	58791	1	Cylinder Body (For J15A-SS)
4	10984	1	Cap Screw (3/8-16 UNC X 1-1/2 Lg.; Torque to 400/425 in. lbs.)
5	58702	1	Piston Rod (For J15A-SL)
	58792	1	Piston Rod (For J15A-SS)
6	*12042	2	Copper Washer (9/16 X 3/8 X 1/32)
7	251899	1	Extension Spring (For J15A-SL)
	252134	1	Extension Spring (For J15A-SS)
8	250568	2	Spring Retainer (Assemble with small step into spring)
9	252080	1	Retaining Ring
10	251900	1	Piston Bearing (Assemble with groove toward shoulder)
11	*251901	1	U-cup (Remove o-ring energizer)
12	251902	1	Retaining Ring
13	*251835	1	O-ring (2-1/2 x 2-5/16 x 3/16)
14	*252081	1	Backup Washer
15	16110	1	Cap Screw (3/8-16 UNC x 3-1/2" Lg.; Torque to 400/425 in. lbs.)
16	351128	1	Cylinder Plug (Apply Loctite 242 and torque to 90/100 ft. lbs.)
17	11127	1	Pressure Plug (3/8 NPTF)

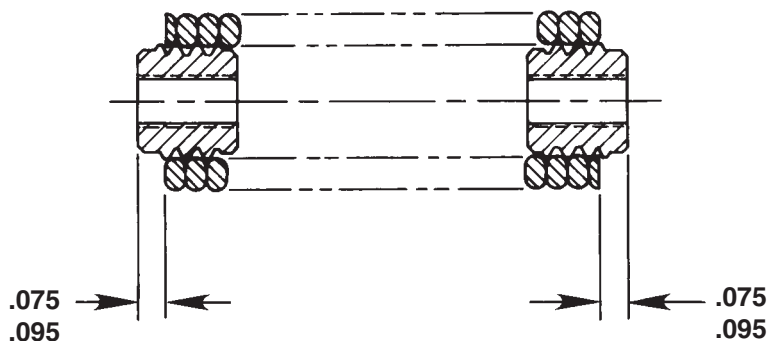
PARTS INCLUDED BUT NOT SHOWN

*203908 1 Warning Decal



Part numbers marked with an asterisk (*) are contained in Repair Kit No. 300893.

SPRING & RETAINER ASSEMBLY



Refer to any operating instructions included with this product for detailed information about operation, testing, disassembly, reassembly, and preventive maintenance.

Items found in this parts list have been carefully tested and selected. **Therefore: Use only genuine Power Team replacement parts!**

Additional questions can be directed to our Technical Services Department.

Note: Shaded areas reflect last revision(s) made to this form.