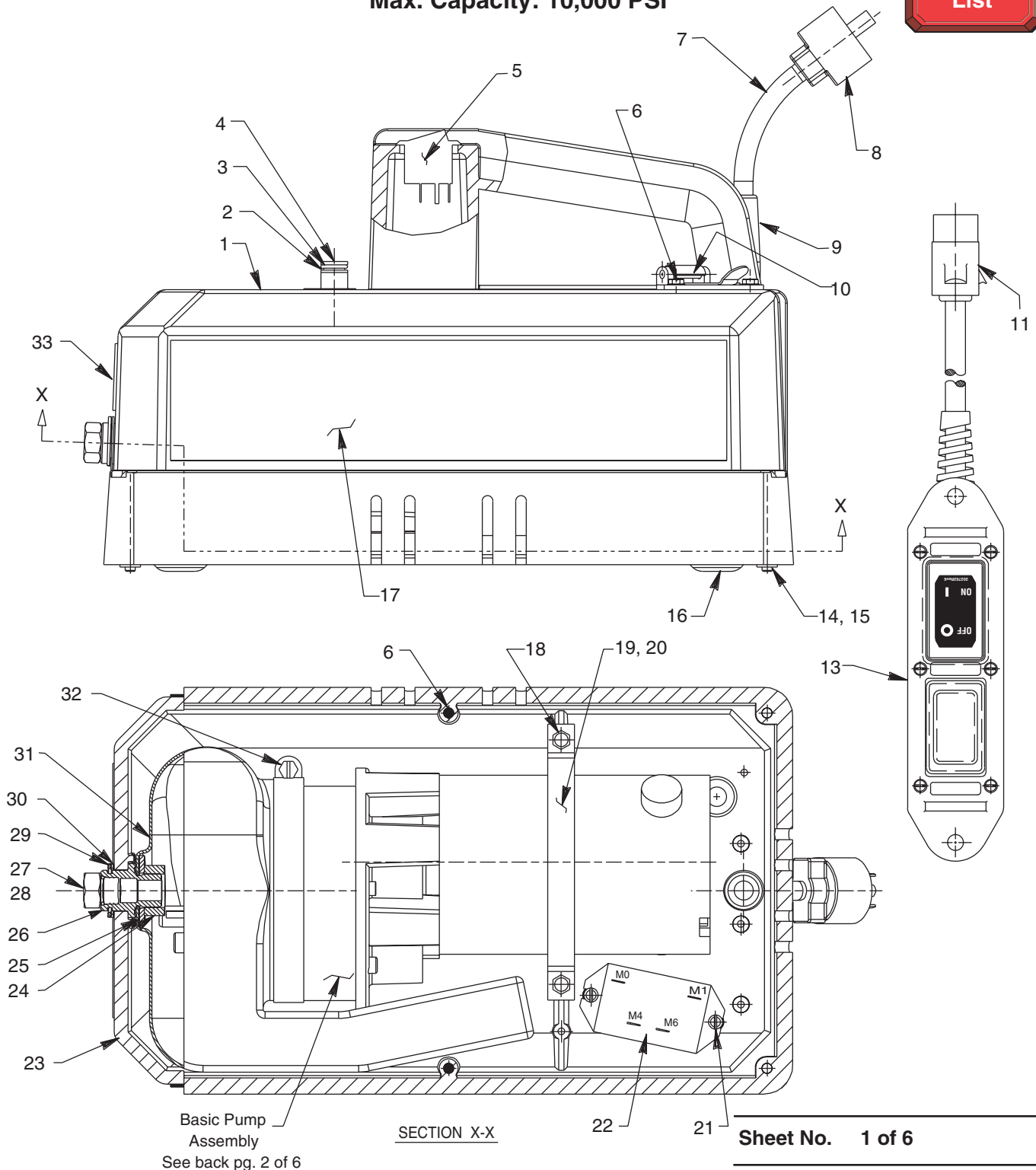


Parts List for:

PR102-SPC  
PR102-SPCWHS  
PR102-UK

**MODEL B**  
**ELECTRIC HYDRAULIC PUMP**  
Max. Capacity: 10,000 PSI



# Parts List, Form No. 101705, Back sheet 1 of 6

Item No.	Part No.	No. Req'd	Description
1	9561	1	Valve Assembly (See Form No. 101327)
2	202505	1	Bushing
3	*11863	2	Backup Washer (1/2 X 3/8 X 1/16)
4	*10268	2	O-ring (1/2 X 3/8 X 1/16)
	†17716	2	O-ring (1/2 X 3/8 X 1/16)
5	251565	1	Rocker Switch
6	14456	4	Screw (#10-24 X 1/2 Lg.; For PR102-SPC & PR102-SPCWHS; Place ground wire terminal between cover & housing.)
	14456	2	Screw (#10-24 x 1/2 Lg.; For PR102-UK)
7	12293	1.5 ft.	Electrical Cable (16/3 SJTO)
8	250894	1	Electrical Plug
9	251048	1	Bushing (For PR102-SPC & PR102-SPCWHS)
	251048	2	Bushing (For PR102-UK)
10	251561	1	Connector (For PR102-SPC & PR102-SPCWHS)
11	251562	1	Connector (For PR120-UK)
13	25017	1	Remote Hand Switch Assembly (See Form No. 101644; For PR102-UK & PR102-SPCWHS)
14	12515	4	Machine Screw (10-24 UNC X 1-3/4 Lg.)
15	207405	4	Locknut (10-24 UNC)
16	420607	1	Base Plate
17	350672	2	Trade Name Decal
18	211060	2	Screw (#9-15 X 1" Lg.)
19	251039	.5 ft.	Motor Mounting Strap
20	251041	3"	Channel Rubber
21	15468	2	Screw (#6-32 X 3/8 Lg.)
22	251052	1	Relay
23	64616	1	Plastic Housing
24	10394	1	Hex Nut (5/8-18 UNF)
25	13324	1	Washer (For 5/8 Bolt)
26	350583	1	Filler Adapter
27	*13755	1	O-ring (.558 x .414 x .072)
	†251035	1	O-ring (.558 x .414 x .072)
28	251280	1	O-ring Boss Plug
29	251043	1	Retaining Ring
30	201373	1	Retainer Washer
31	420643	1	Bladder
	†420736	1	Bladder
32	350305	1	Hose Clamp
33	251072	1	Warning & Fill Instructions Decal

### PARTS INCLUDED BUT NOT SHOWN

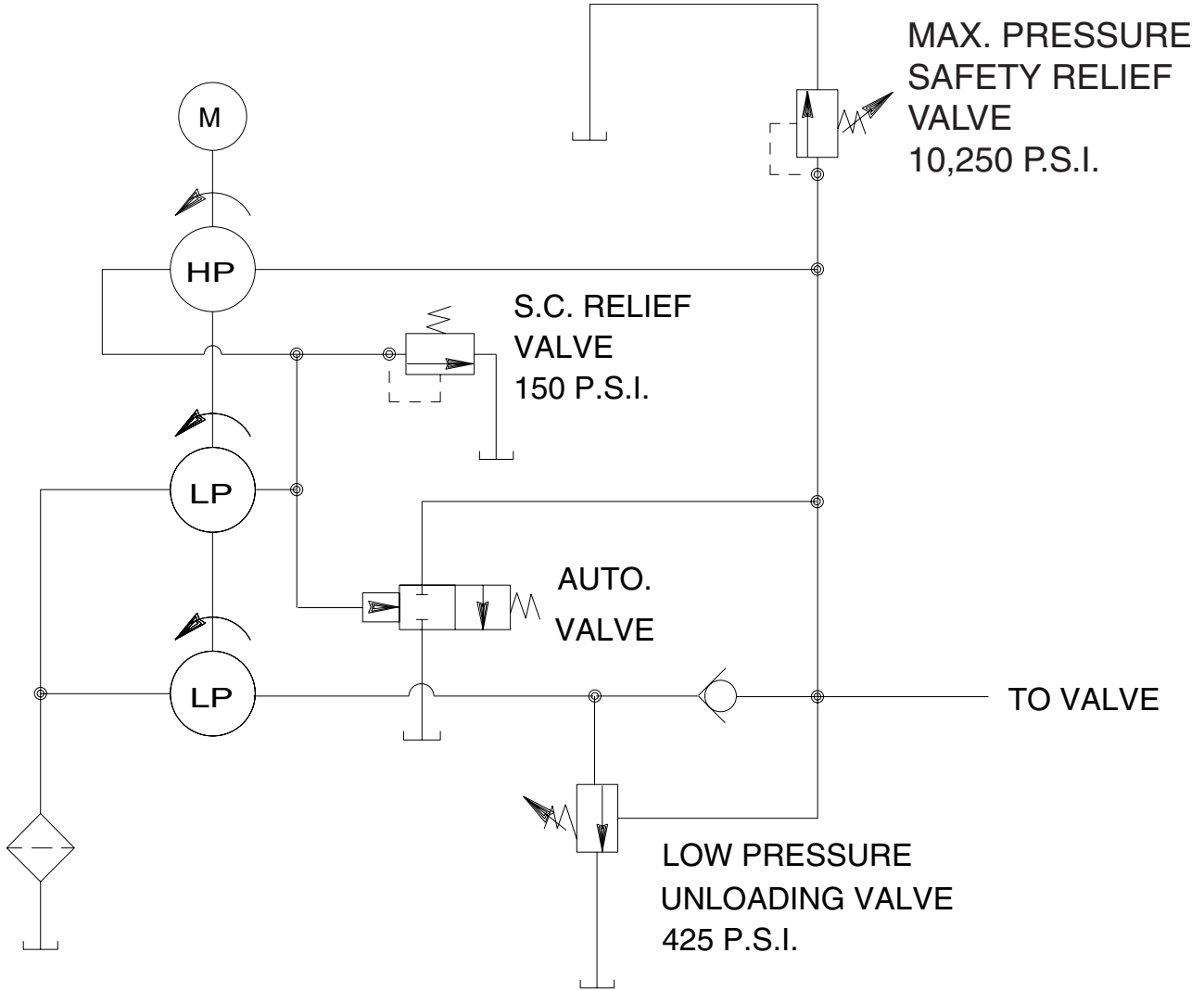
350646 1 Cord Set (12 VDC)



Part numbers marked with an asterisk (\*) are contained in Repair Kit No. 300651.  
Part numbers marked with a dagger (†) are contained in EPR Seal Kit No. 300653.

Note: Shaded areas reflect last revision(s) made to this form.

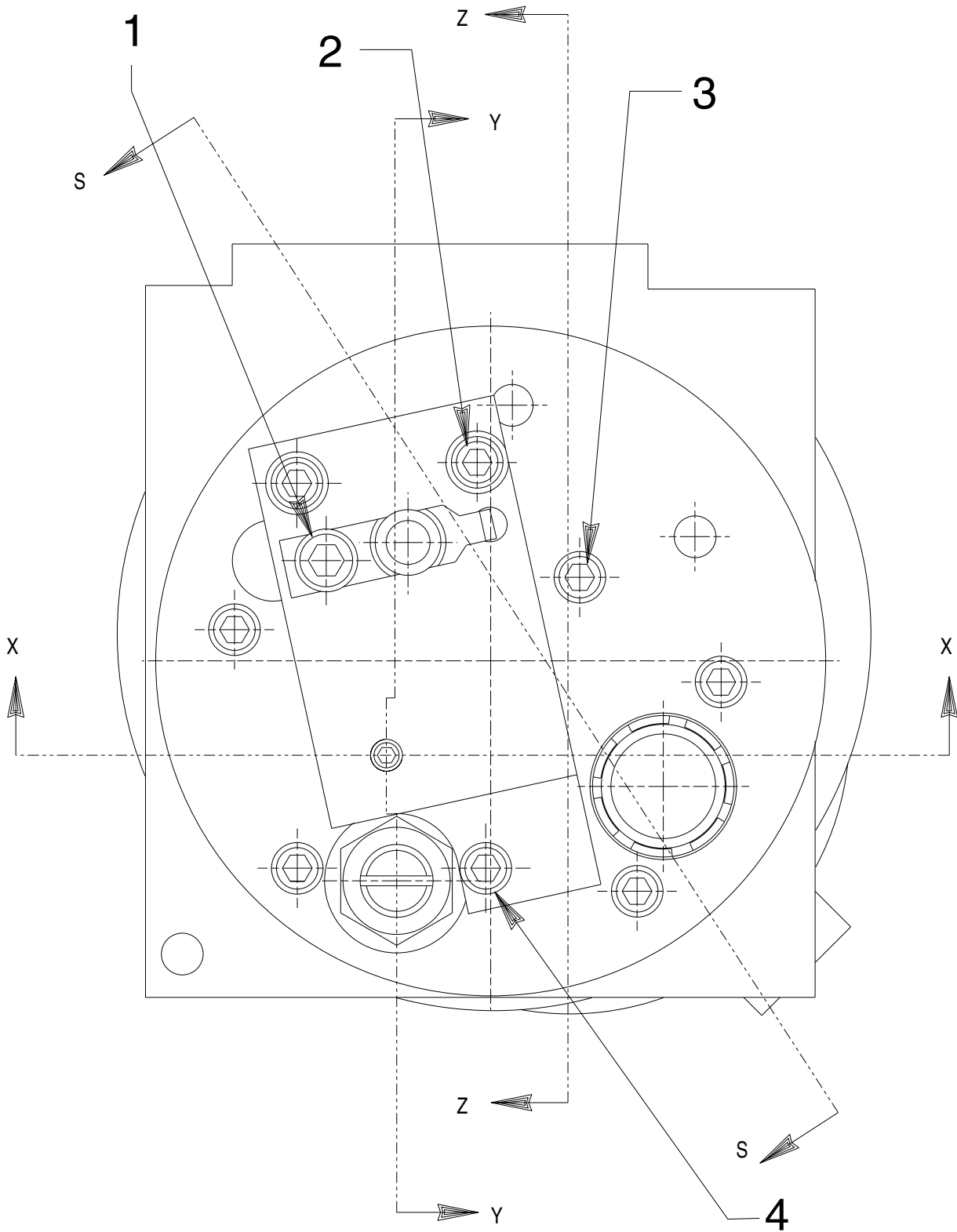
### HYDRAULIC SCHEMATIC



### ELECTRICAL INFORMATION

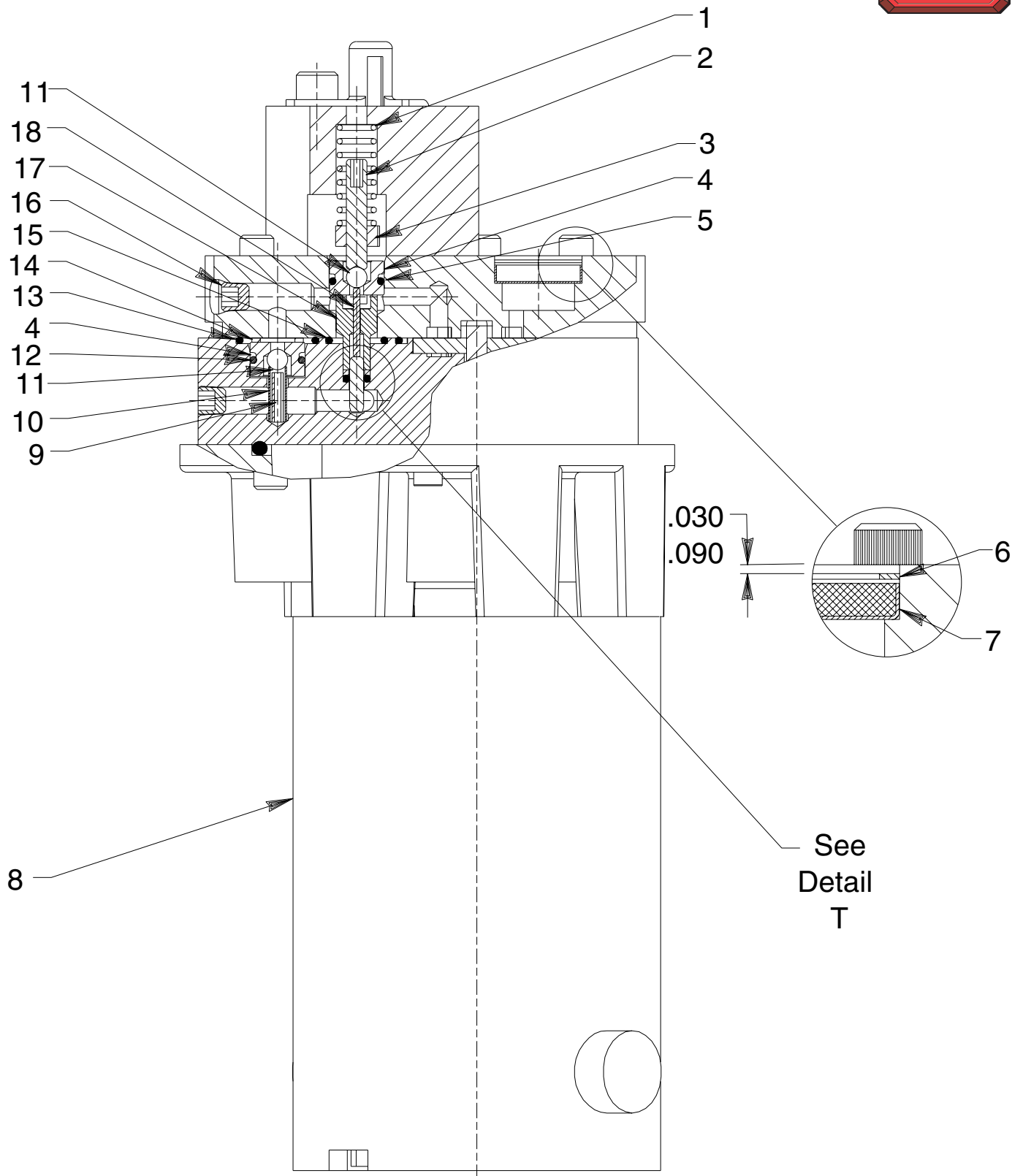
**Note:** All electrical information and schematics for these units can be found in Form No. 102808 Operating Instructions.

### BASIC PUMP ASSEMBLY



Item No.	Part No.	No. Req'd	Description
1	10002	1	Screw (1/4-20 UNC X 3/8 Lg.; Torque to 80/100 in. lbs.)
2	14423	3	Screw (#10-24 X 2" Lg.; Torque to 60/80 in. lbs.)
3	14426	5	Screw (#10-24 UNC X 1" Lg.; Torque to 60/80 in. lbs.)
4	12650	1	Screw (#10-24 UNC X 1-1/2 Lg.)

SECTION X-X



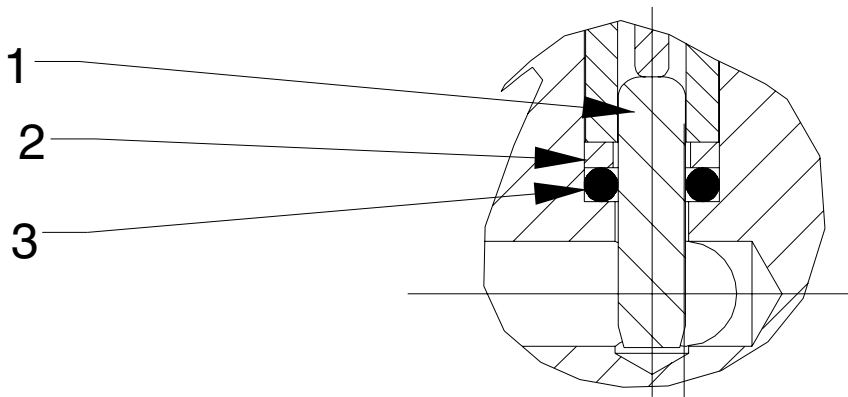
# Parts List, Form No. 101705, Back sheet 3 of 6

Item No.	Part No.	No. Req'd	Description
1	*14484	1	Compression Spring (3/8 O.D. X 1" Lg.)
2	*251067	1	Set Screw (#10-24 UNC x 1" Lg. Set unloading valve to 400/500 PSI)
3	*207405	1	Locknut (10-24 UNC)
4	*251065	2	Replaceable Seat
5	*10268	1	O-ring (1/2 X 3/8 X 1/16)
	†17716	1	O-ring (1/2 X 3/8 X 1/16)
6	16686	1	Retainer Ring
7	*214578	1	Filter
8	420590-12	1	Motor
9	11512	1	Roll Pin
10	15141	1	Compression Spring (3/16 O.D. X 5/8 Lg.)
11	*12223	2	Ball (3/16 Dia.)
12	*13943	1	O-ring (1/2 X 3/8 X 1/16)
	†17716	1	O-ring (1/2 X 3/8 X 1/16)
13	*11031	1	Copper Washer (15/32 X 5/16 X 1/32)
14	*10302	1	O-ring (3/4 X 5/8 X 1/16)
	†12400	1	O-ring (3/4 X 5/8 X 1/16)
15	15130	3	Plug (1/16 NPTF)
16	*12098	1	O-ring (9/16 X 7/16 x 1/16)
	†250136	1	O-ring (9/16 X 7/16 x 1/16)
17	251068	1	Guide
18	13937	1	Dowel Pin



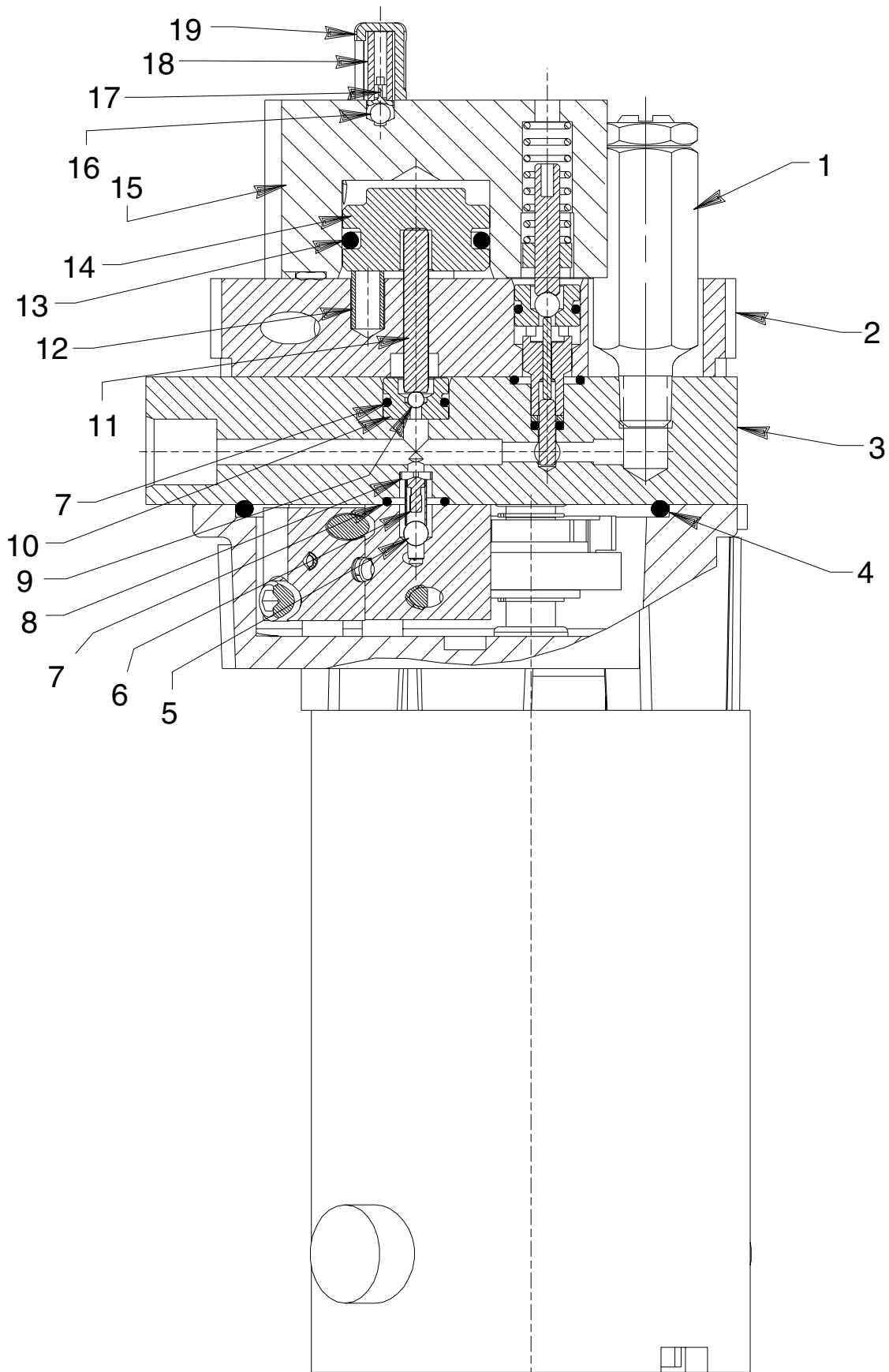
Part numbers marked with an asterisk (\*) are contained in Repair Kit No. 300651.  
Part numbers marked with a dagger (†) are contained in EPR Seal Kit No. 300653.

## DETAIL T



Item No.	Part No.	No. Req'd	Description
1	10796	1	Dowel Pin
2	*214992	1	Backup Washer (15/64 x 1/8 x 3/64)
3	*17797	1	O-ring (1/4 X 1/8 X 1/16)
	†17713	1	O-ring (1/4 X 1/8 X 1/16)

Part numbers marked with an asterisk (\*) are contained in Repair Kit No. 300651.  
Part numbers marked with a dagger (†) are contained in EPR Seal Kit No. 300653.



**SECTION Y-Y**

Item No.	Part No.	No. Req'd	Description
1	207975-105	1	Relief Valve
2	64556	1	End Plate
3	64595	1	Pump Body
4	*10297	1	O-ring (3-1/2 X 3 -1/4 X 1/8)
	†13454	1	O-ring (3-1/2 X 3 -1/4 X 1/8)
5	*12223	2	Ball (3/16 Dia.)
6	*10445	1	Compression Spring (5/32 O.D. X 3/4 Lg.)
7	*13943	3	O-ring (1/2 X 3/8 X 1/16)
	†17716	3	O-ring (1/2 X 3/8 X 1/16)
8	24549	1	Ball Guide
9	*10418	1	Steel Ball (1/8 Dia.)
10	*251064	1	Replaceable Seat
11	*251083	1	Dowel Pin
12	*11024	3	Compression Spring (1/4 O.D. X 5/8 Lg.)
13	*19029	1	O-ring (1-1/8 x 15/16 x 1/8)
	†251288	1	O-ring (1-1/8 x 15/16 x 1/8)
14	350619	1	Eccentric
15	420826	1	Automatic Valve Body
16	*10374	1	Steel Ball (7/32 Dia.)
17	200796	1	Adapter
18	*15691	1	Compression Spring (1/4 O.D. X 5/8 Lg.)
19	350577	1	Spring Retainer



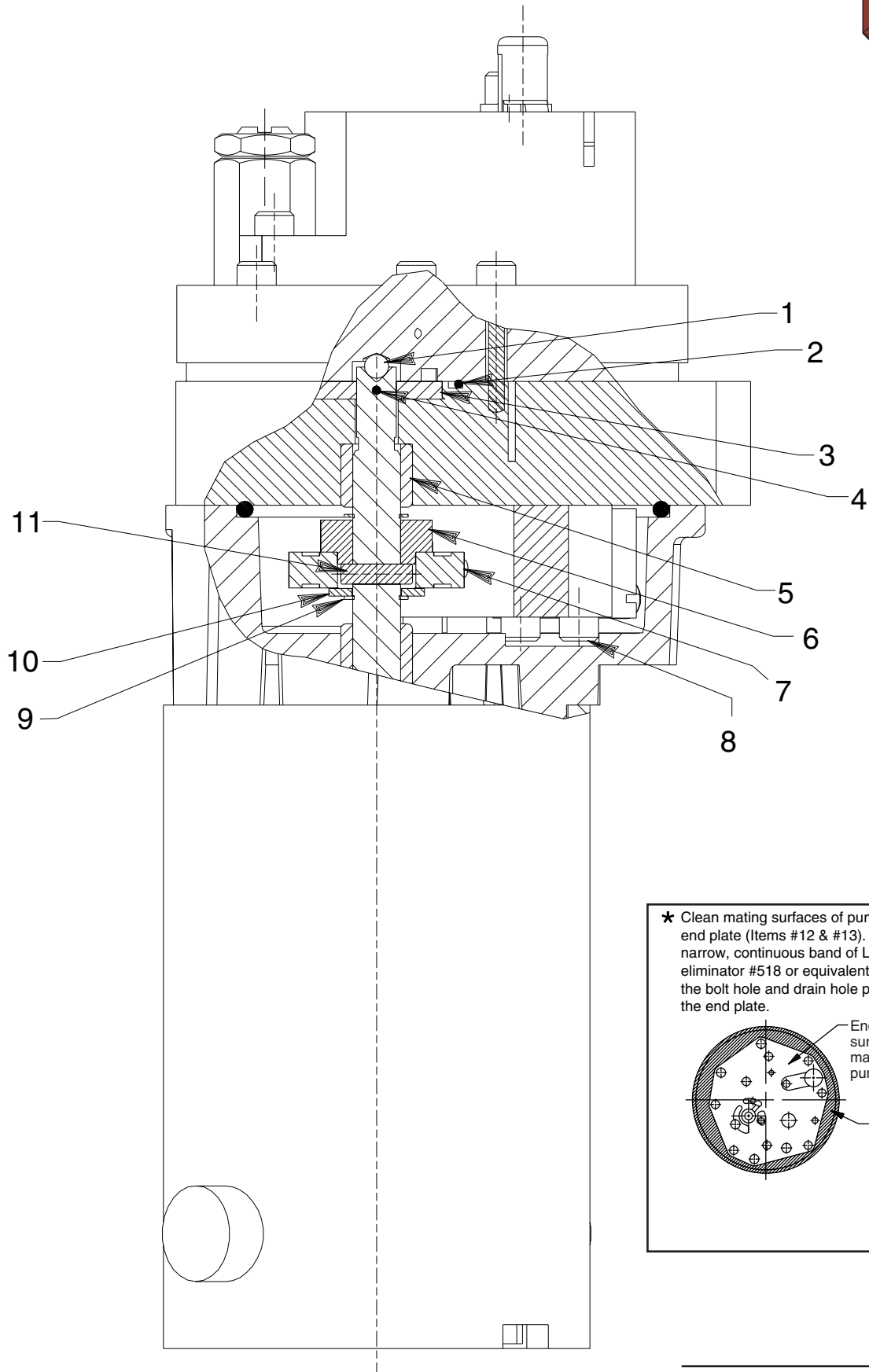
Part numbers marked with an asterisk (\*) are contained in Repair Kit No. 300651.  
 Part numbers marked with a dagger (†) are contained in EPR Seal Kit No. 300653.

Refer to any operating instructions included with this product for detailed information about operation, testing, disassembly, reassembly, and preventive maintenance.

Items found in this parts list have been carefully tested and selected. **Therefore: Use only genuine Power Team replacement parts!**

Additional questions can be directed to our Technical Services Department.

SECTION Z-Z



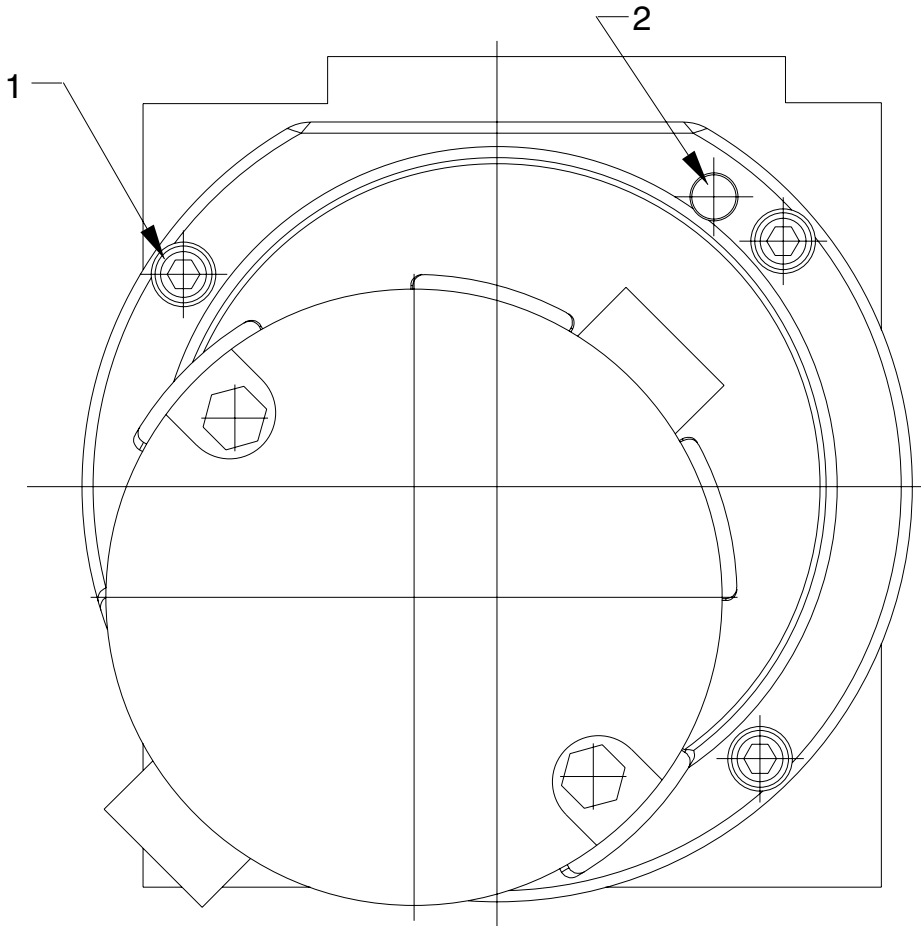
★ Clean mating surfaces of pump body and end plate (Items #12 & #13). Apply a thin, narrow, continuous band of Loctite gasket eliminator #518 or equivalent, outside of the bolt hole and drain hole patterns on the end plate.

End Plate surface that mates with the pump body

Thin, narrow continuous band of Loctite #518 or equivalent (permissible within shaded area.)

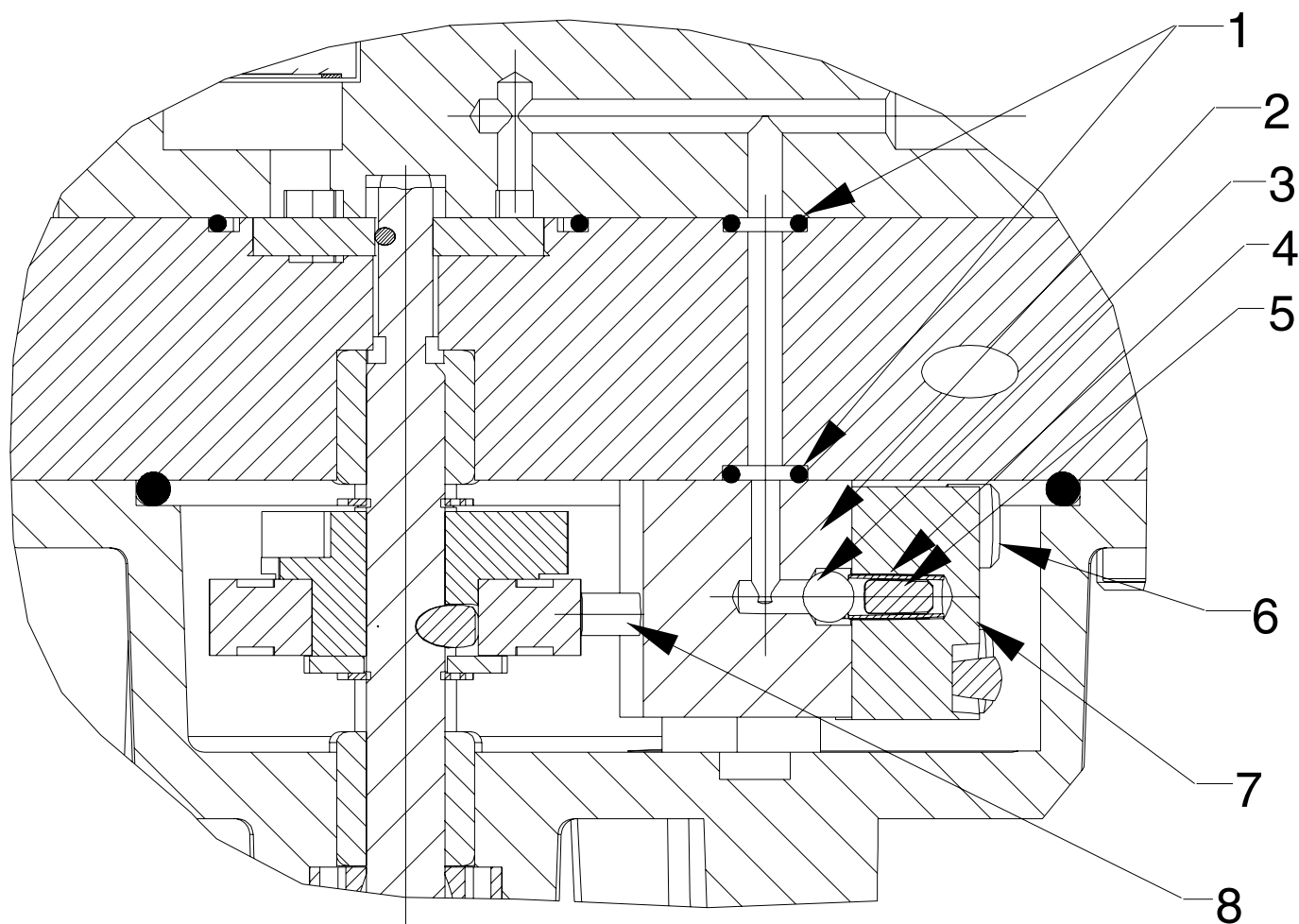
Item No.	Part No.	No. Req'd	Description
1	*12223	1	Ball (3/16 Dia.)
2	*251063	1	O-ring (1-7/16 x 1-5/16 x 1/16)
	†251289	1	O-ring (1-7/16 x 1-5/16 x 1/16)
3	420615	1	Gerotor Set
4	251061	1	Dowel Pin
5	251129	1	Needle Bearing
6	350606	1	Eccentric
7	15695	1	Ball Bearing
8	250491	4	Screw (10-24 UNC x 1-1/4 Lg.; Torque to 60/80 in. lbs.)
9	251069	2	Retaining Ring (Internal)
10	252169	1	Washer
11	251117	1	Spring Pin

Part numbers marked with an asterisk (\*) are contained in Repair Kit No. 300651.  
 Part numbers marked with a dagger (†) are contained in EPR Seal Kit No. 300653.



Item No.	Part No.	No. Req'd	Description
1	11434	3	Screw (10-24 UNC X 1/2 Lg.; Torque to 60/80 in. lbs.)
2	17567	2	Pin

## SECTION S-S



Item No.	Part No.	No. Req'd	Description
1	*10265	3	O-ring (5/16 X 3/16 X 1/16)
	†17714	3	O-ring (5/16 X 3/16 X 1/16)
2	420617	1	High Pressure Piston Body
3	*12223	1	Ball (3/16 Dia.)
4	*10445	1	Compression Spring (5/32 O.D. X 3/4 Lg.)
5	251040	1	Dowel Pin
6	12102	3	Screw (#10-24 UNC X 3/4 Lg.; Torque to 60/80 in. lbs.)
7	350620	1	High Pressure Cap Body
8	251062	1	Piston (Position with chamfer towards bearing.)

Part numbers marked with an asterisk (\*) are contained in Repair Kit No. 300651.  
 Part numbers marked with a dagger (†) are contained in EPR Seal Kit No. 300653.