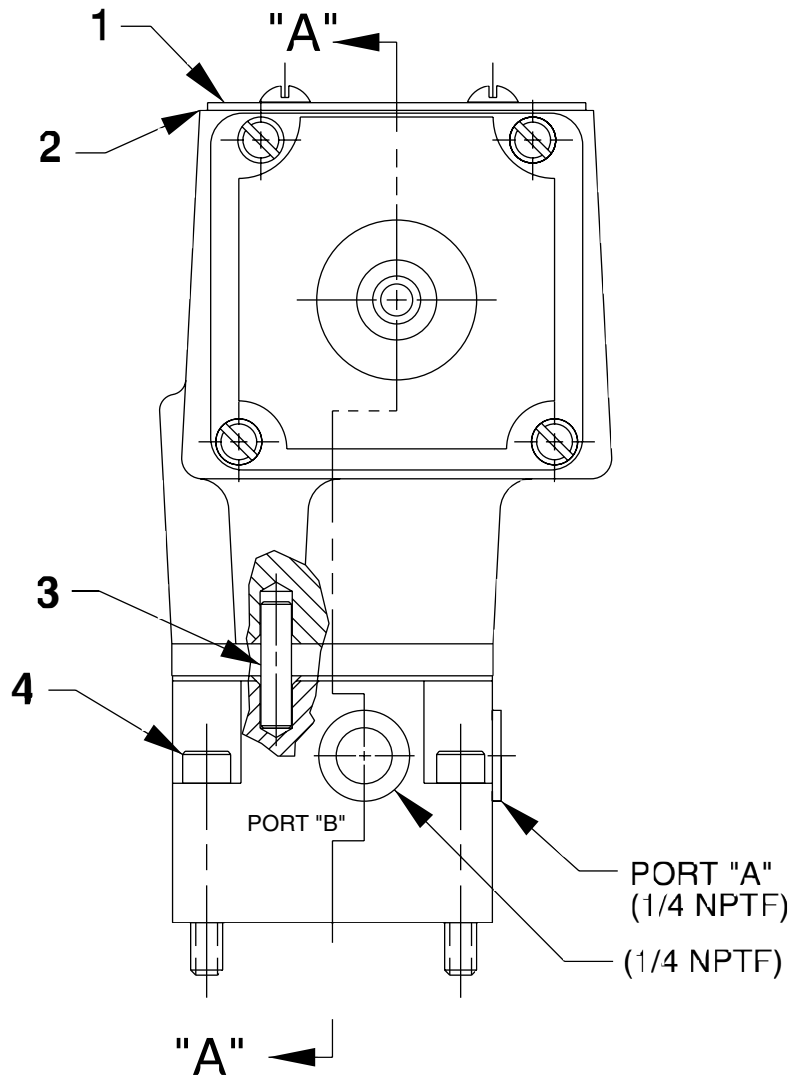


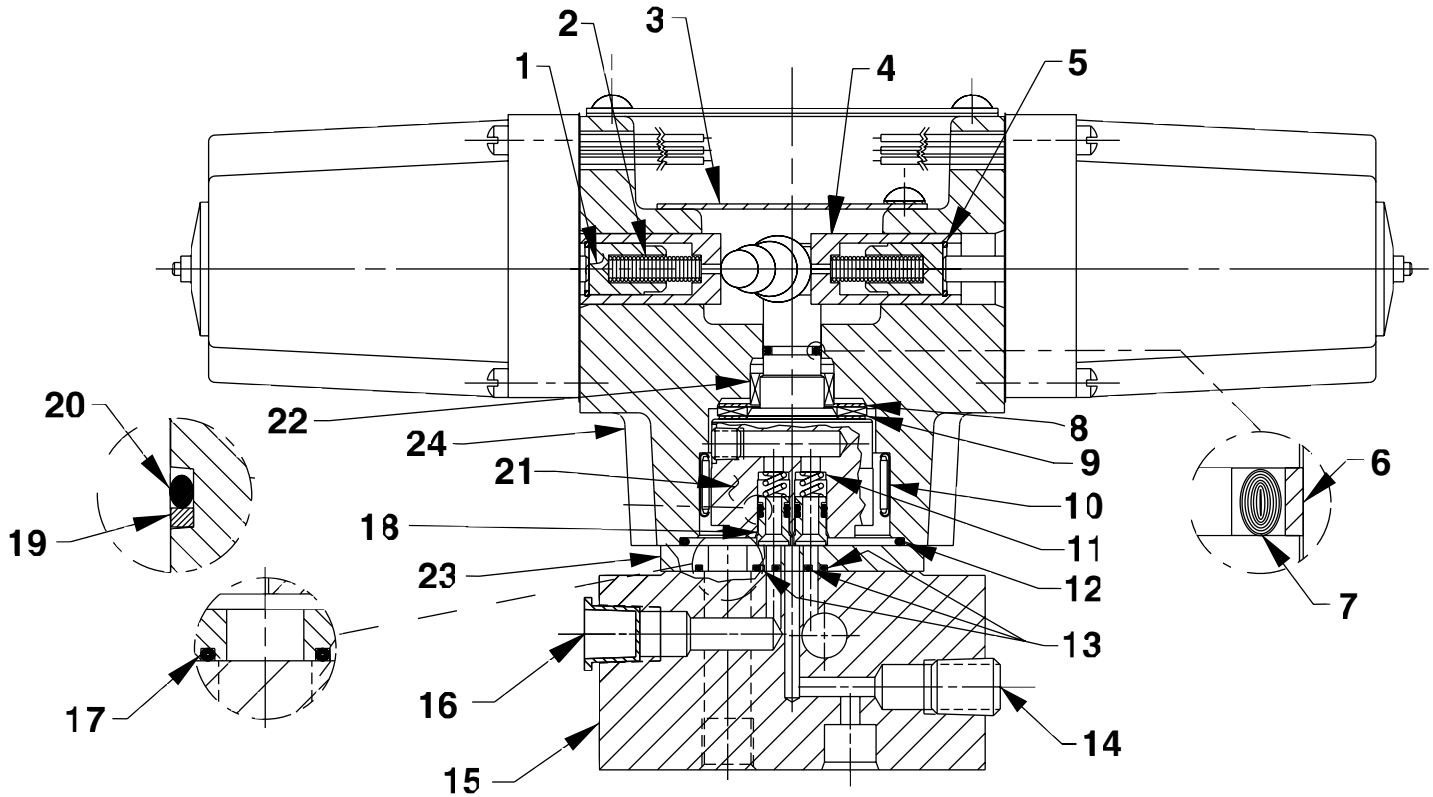
**TWO POSITION, 4-WAY, PUMP-MOUNTED, SOLENOID-OPERATED  
VALVE ASSEMBLY**

**END VIEW**



Item No.	Part No.	No. Req'd	Description
1	303976	1	Cover
2	303986	1	Cover Gasket
3	252309	2	Spring Coiled Pin
4	10022	4	Screw (1/4-20 UNC X 1-1/2 Lg.)

SECTION A-A

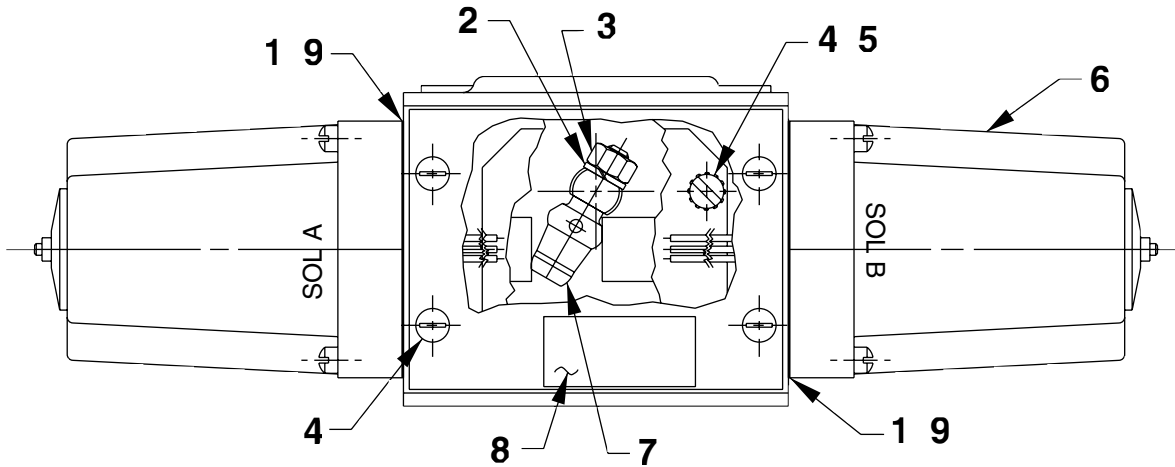


Item No.	Part No.	No. Req'd	Description
1	208590	2	Spring Guide
2	13960	2	Spring
3	303977	1	Inner Cover
4	303968	2	Actuator Plunger
5	11522	2	Retaining Ring
6	*208672	1	Teflon Glyd Ring
7	*10268	1	O-ring (1/2 X 3/ X 1/16)
8	15935	2	Thrust Washer
9	12188	1	Needle Bearing
10	17505	1	Needle Roller Bearing
11	15095	2	Spring (1/4 O.D. X 15/32 Lg.)
12	*214699	1	O-ring (2 3/16 X 2" X 3/32)
13	*15023	3	O-ring (5/16 X 3/16 X 1/16)
14	10479	1	Plug Fitting
15	65283	1	Subplate (Aluminum)
16	13270	2	Plastic Cap
17	*16164	1	O-ring (3/8 X 1/4 X 1/16)
18	303935	2	Shear Seal
19	*15174	2	Backup Washer
20	*10265	2	O-ring (5/16 X 3/16 X 1/16)
21	52064	1	Rotor
22	208671	1	Needle Roller Bearing
23	421251	1	Valve Subplate
24	61077	1	Valve Body Casting

PARTS INCLUDED BUT NOT SHOWN

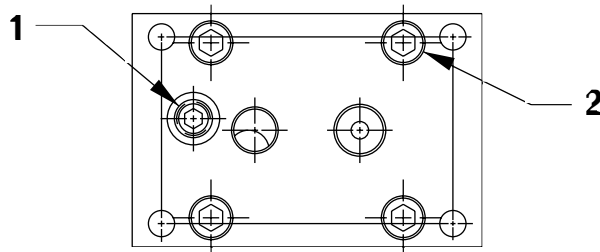
200609	1	Drain Tube
--------	---	------------

**TOP VIEW**



Item No.	Part No.	No. Req'd	Description
1	303980	2	Stop Plate
2	10245	1	Lockwasher
3	15504	1	Locknut
4	10164	5	Screw (#10-24 UNC X 3/8 Lg.)
5	11108	1	Washer (#10 External Tooth)
6	304068	2	Solenoid (115 V.; 50/60 Hz.; For 65285)
	304069	2	Solenoid (230 V., 50/60 Hz.; For 65285-230 & 65285-CE)
	304070	2	Solenoid (24 V.; For 65285-24)
	350201	2	Solenoid (200 V., 50/60 Hz.; For 65285-200)
7	304030	1	Cam Lever
8	209383	1	Patent Decal
9	351404	4	Gasket (For 65285-CE only; Place one gasket on each side of stop plate [Item #1].)

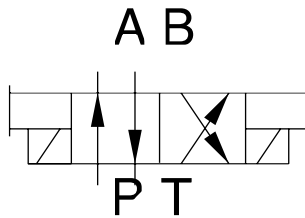
**BOTTOM VIEW**



**MOUNTING HOLE DIMENSIONS**

Item No.	Part No.	No. Req'd	Description
1	15499	1	Plug Fitting
2	252308	4	Screw (5/16-18 X 2-1/4 Lg.; Torque to 175 in. lbs.)

## SPECIFICATIONS



UNIT SCHEMATIC

2 POSITION, 4 WAY  
 SOLENOID OPERATED  
 PUMP MOUNTED  
 RATED PRESSURE = 10,000 P.S.I.  
 RATED CASE PRESSURE = 1,000 P.S.I.  
 RATED FLOW = 5 G.P.M.

ELECTRICAL:	220 VAC. 50/60 HZ.	115 VAC. 50/60 HZ.	24 VAC. 50/60 HZ.	200 VAC. 50/60 HZ.
INRUSH CURRENT	2.6/2.8 AMP.	4.9/5.3 AMP.	24/24.5 AMP.	2.6/2.4 AMP.
HOLDING CURRENT	.25/.31 AMP.	.6/.6 AMP.	2.8/2.9 AMP.	.35/.26 AMP.

### FUNCTION

A" POSITION (SOLENOID "A")  
 HYD PRESSURE TO "A" PORT  
 "B" PORT TO TANK.

B" POSITION (SOLENOID "B")  
 HYD PRESSURE TO "B" PORT  
 "A" PORT TO TANK.

### NOTE

ALL PORTS OPEN TO TANK DURING  
 TRANSITION BETWEEN VALVE POSITIONS.

Refer to any operating instructions included with this product for detailed information about operation, testing, disassembly, reassembly, and preventive maintenance.

Items found in this parts list have been carefully tested and selected. **Therefore: Use only genuine Power Team replacement parts!**

Additional questions can be directed to our Technical Services Department.