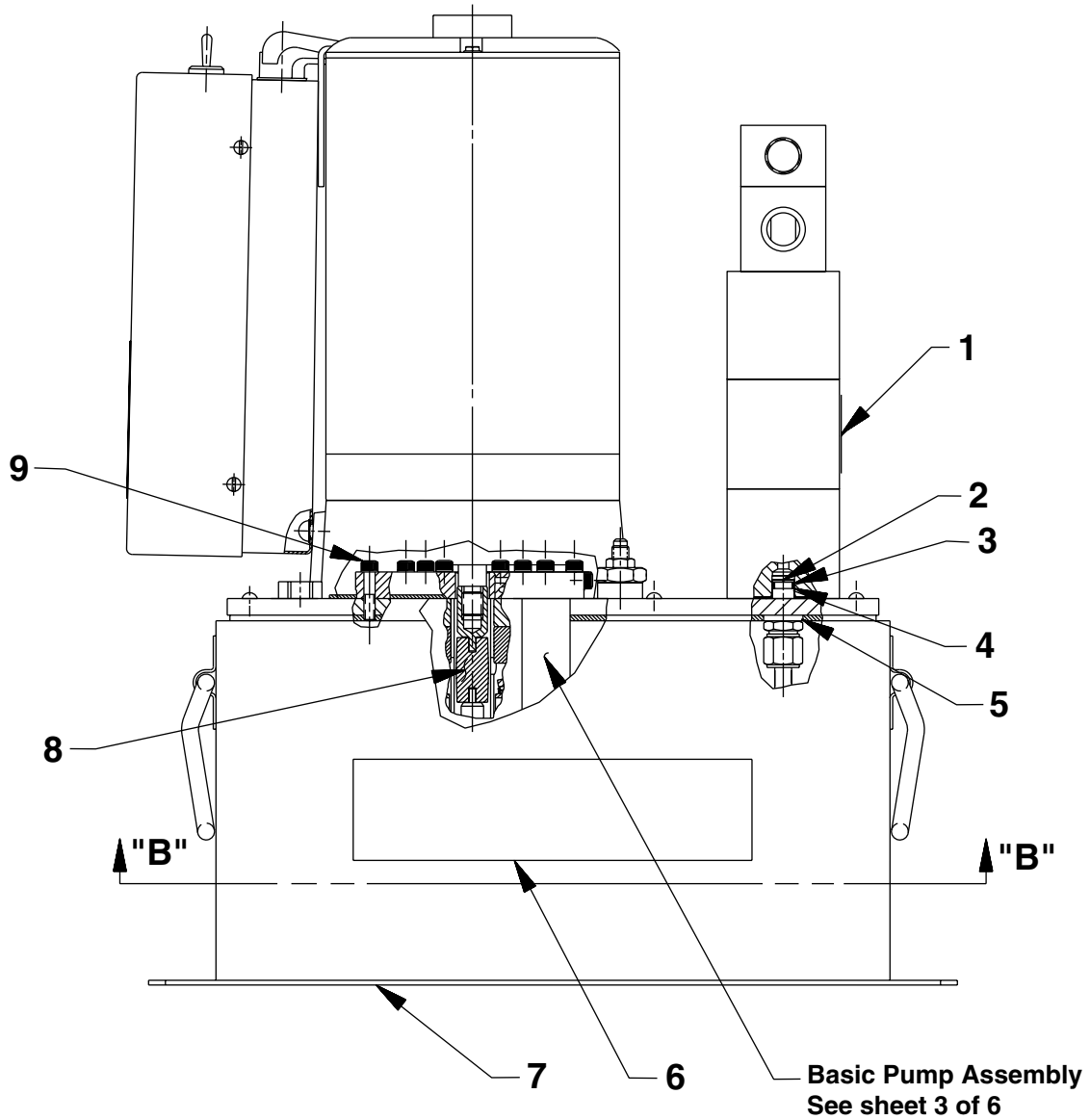


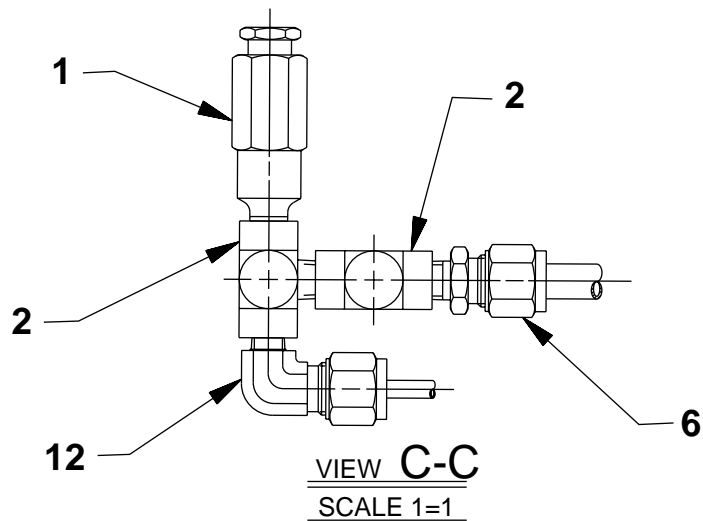
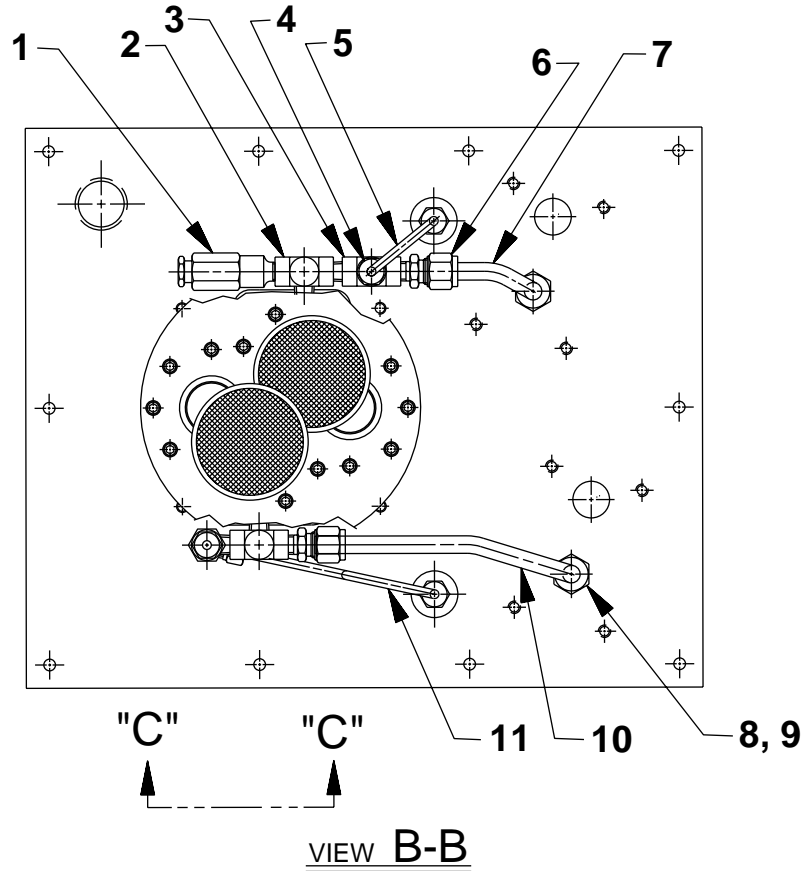
## ELECTRIC HYDRAULIC DUAL PUMP



Item No.	Part No.	No. Req'd	Description
1	251958	2	Trade Name Decal
2	20787	2	Valve Connector
3	10268	2	O-ring (1/2 X 3/8 X 1/16)
4	11863	2	Backup Washer (1/2 X 3/8 X 1/16)
5	21484	2	Spacer

Item No.	Part No.	No. Req'd	Description
6	309219	2	Decal
7	40137OR9	1	Reservoir
8	251206	1	Coupling
9	10016	2	Cap Screw (1/4-20 UNC X 1" Lg.; Torque to 80/100 in. lbs.)

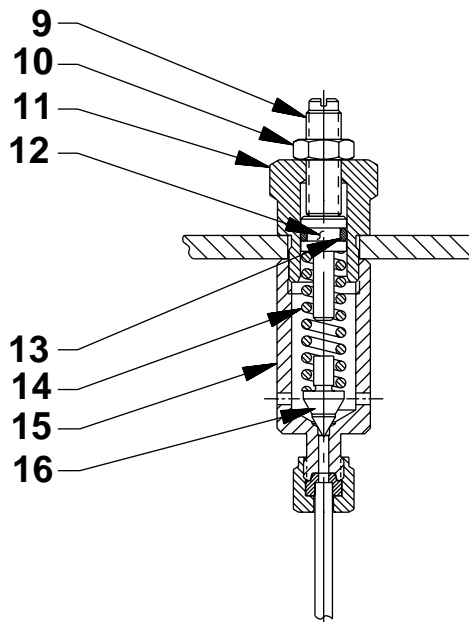
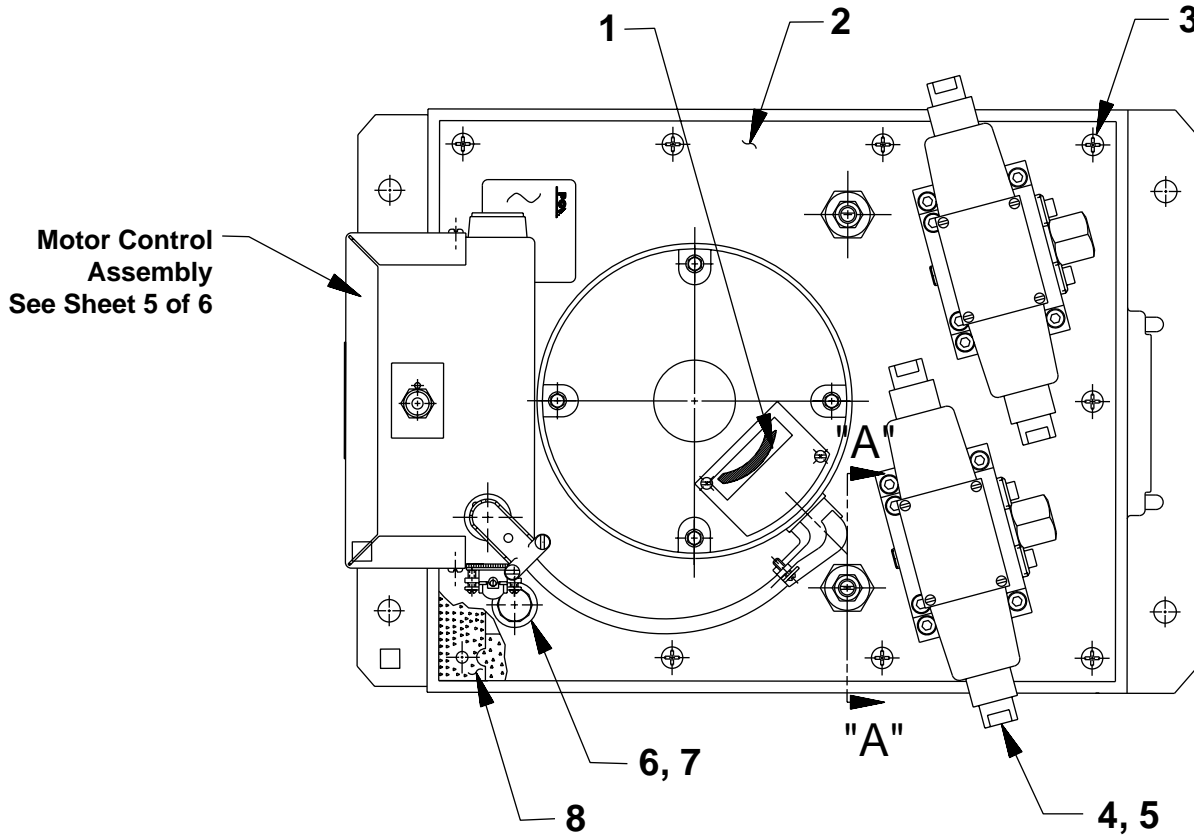
**SECTIONS B-B & C-C**



Item No.	Part No.	No. Req'd	Description	Item No.	Part No.	No. Req'd	Description
1	21278	2	Relief Valve Assembly (Set at 10,100 / 10,700 PSI)	7	351337	1	Oil Line Tube
2	14538	3	Tee	8	10431	2	Tube Nut
3	18969	1	Pipe Tee	9	10430	2	Tube Sleeve
4	14844	1	Connector	10	351336	1	Oil Line Tube
5	250842	1	Oil Line Assembly	11	250843	1	Oil Line Assembly
6	12696	2	Connector	12	16177	1	Tube Elbow

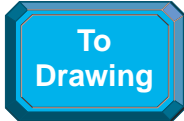
TOP VIEW AND SECTION A-A

To Parts List

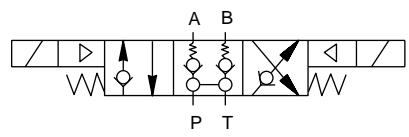
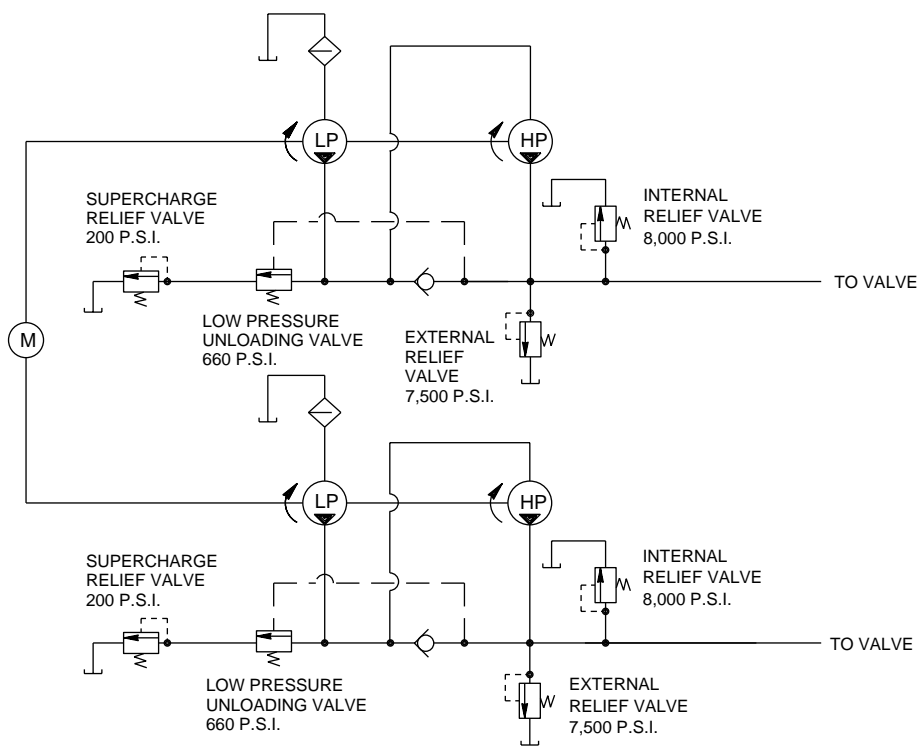


# Parts List, Form No. 101734, Back sheet 2 of 6

Item No.	Part No.	No. Req'd	Description	Item No.	Part No.	No. Req'd	Description
1	27556	1	Decal (Motor rotation)	9	22362	2	Adjusting Screw
2	65333WH2	1	Cover Plate	10	10386	2	Nut
3	10177	10	Cap Screw (1/4-20 UNC X 3/4 Lg.)	11	21305	2	Valve Cap
4	9512	2	4-Way Solenoid Valve (See Form No. 101653)	12	21306	2	Spring Guide
5	16664-1	2	Solenoid Valve (110/120 V.)	13	10268	2	O-ring (1/2 X 3/8 X 1/16)
6	251689	1	Filler Breather Cap	14	10495	2	Compression Spring (1/2 O.D. X 1-5/8 Lg.)
7	200415	1	O-ring (13/16 x 5/8 x 3/32)	15	22361	2	Body
8	40490	1	Gasket	16	21046	2	Valve Stem



## HYDRAULIC SCHEMATIC



**HYD. SCHEMATIC**  
**65008 VALVE**

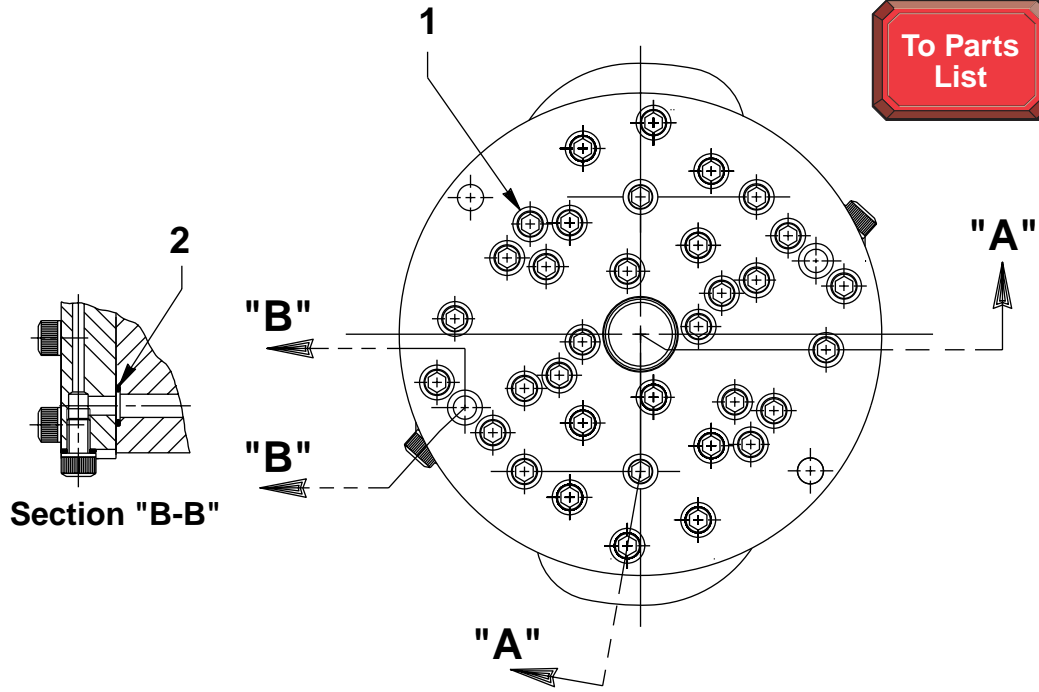
Refer to any operating instructions included with this product for detailed information about operation, testing, disassembly, reassembly, and preventive maintenance.

Items found in this parts list have been carefully tested and selected. **Therefore: Use only genuine Power Team replacement parts!**

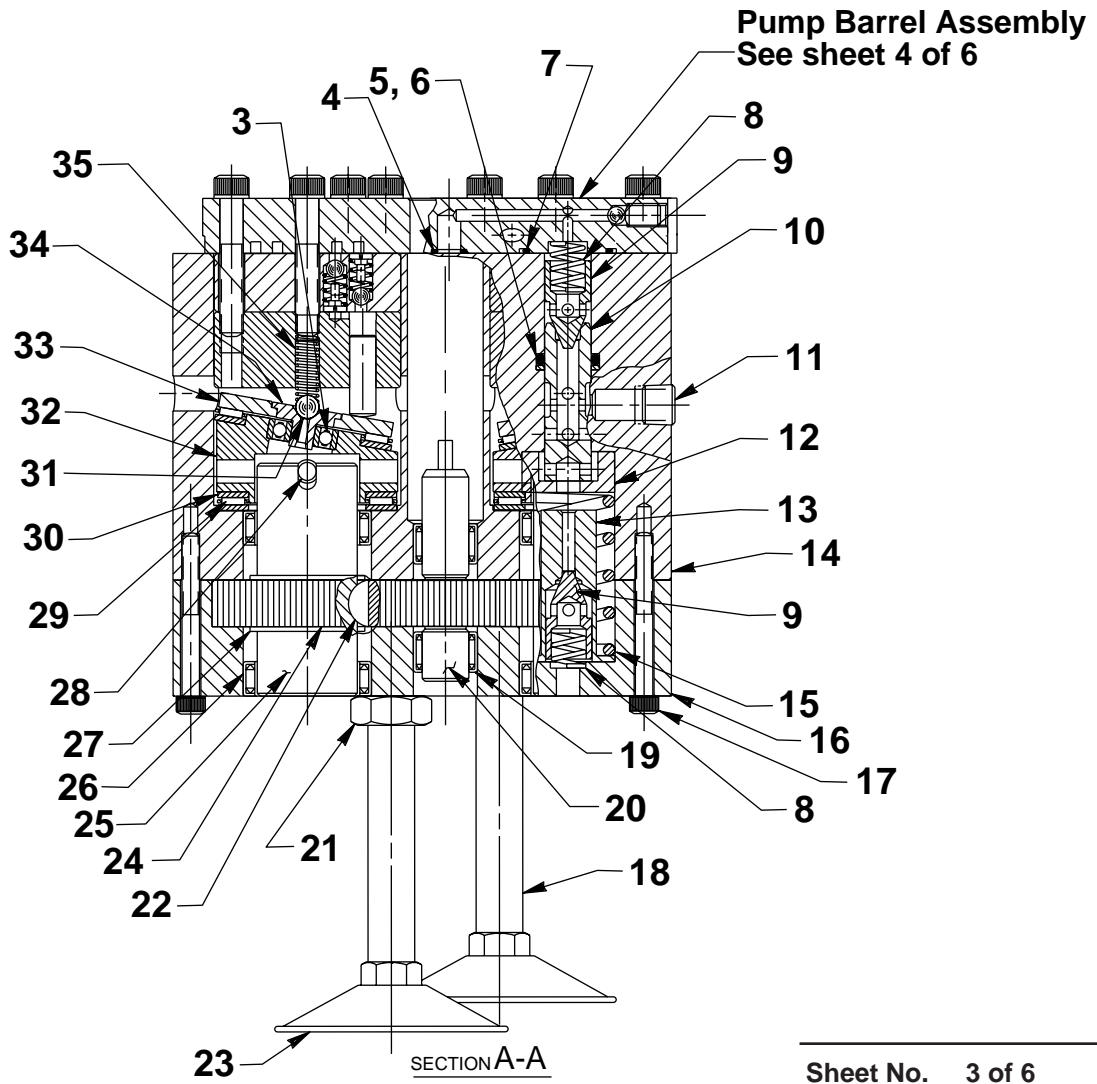
Additional questions can be directed to our Technical Services Department.

# BASIC PUMP ASSEMBLY

To Parts List



Section "B-B"



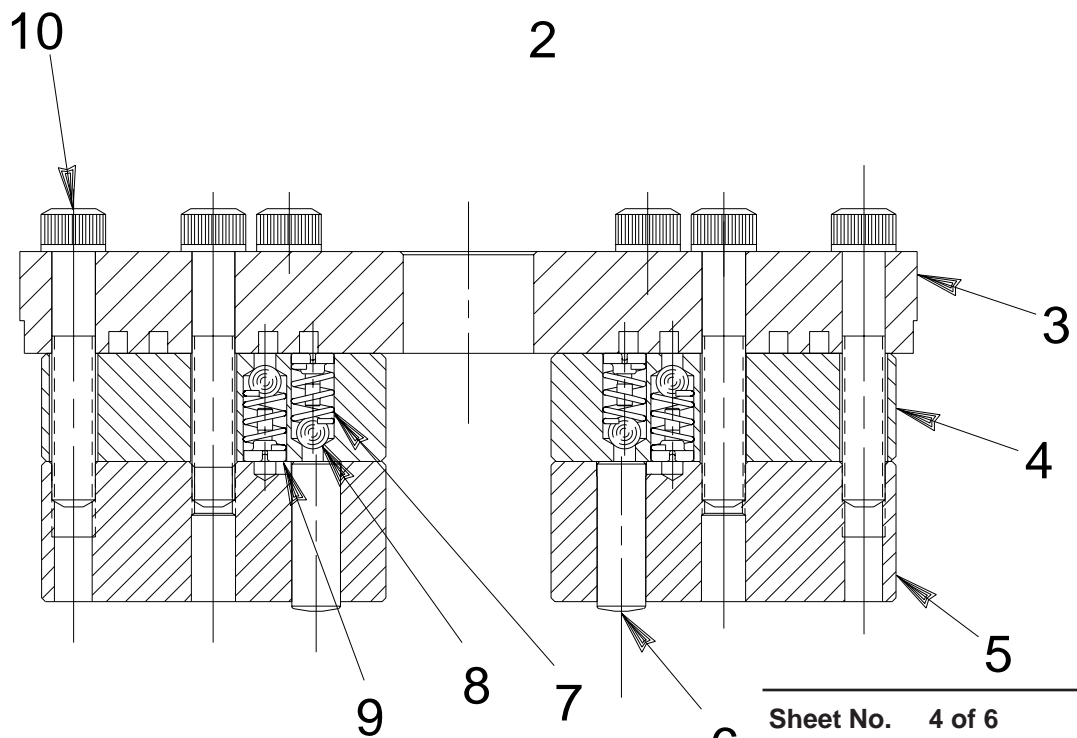
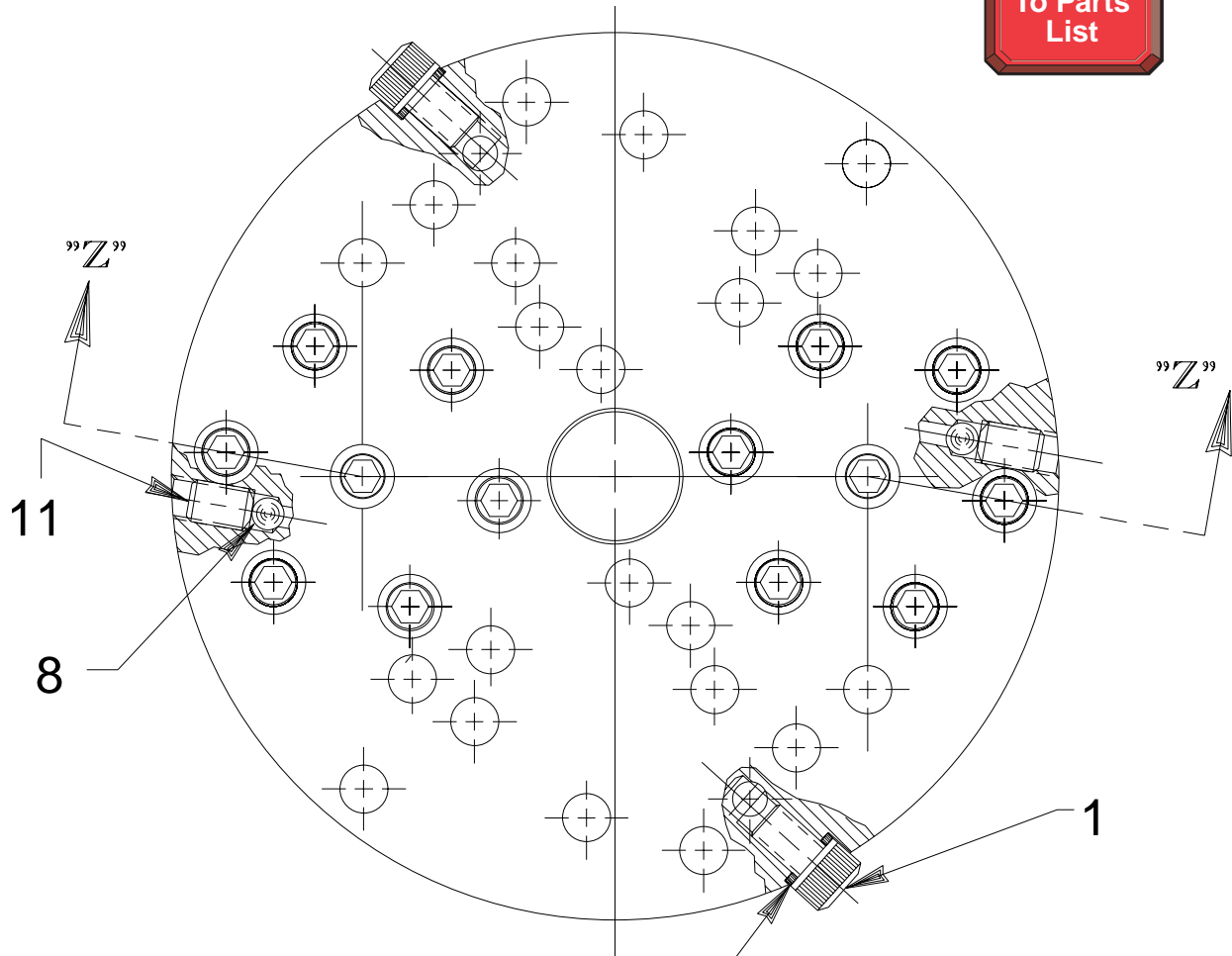
# Parts List, Form No. 101734, Back sheet 3 of 6

Item No.	Part No.	No. Req'd	Description
1	10020	20	Cap Screw (1/4-20 UNC X 1-1/4 Lg.; Torque to 170/180 in. lbs.)
2	10267	2	O-ring (7/16 X 5/16 X 1/16)
3	11814	2	Ball Bearing
4	10266	2	O-ring (3/8 X 1/4 X 1/16)
5	10271	2	O-ring (11/16 X 1/2 X 3/32)
6	12389	2	Backup Washer (11/16 x 1/2 X 1/16)
7	10303	2	O-ring (7/8 X 3/4 X 1/16)
8	10425	4	Compression Spring (3/8 O.D. X 3/4 Lg.)
9	20771	4	Poppet
10	20849	2	Spool
11	10427	2	Pressure Plug (1/8 NPTF)
12	23255	2	Spring Guide
13	23256	2	Spring Guide
14	64060	1	Body, Double Pump
15	10426	2	Compression Spring (1" O.D. X 1-13/16 Lg.)
16	64586	1	Body
17	10001	18	Cap Screw (#10-32 UNF X 1-3/4 Lg.; Torque to 50/60 in. lbs.)
18	250851	2	Intake Tube (Note: Assemble short thread end into filter.)
19	11199	2	Needle Bearing
20	21272	1	Drive Gear
21	10390	1	Nut
22	11821	2	Woodruff Key
23	29682	2	Strainer
24	23557	2	Driver Gear
25	23556	2	Shaft
26	11064	4	Needle Bearing
27	11261	4	Retaining Ring
28	11955	2	Pin (1/4 Dia. X 1 3/4 Lg.)
29	11228	4	Thrust Bearing
30	11813	6	Bearing Race
31	10375	2	Steel Ball (1/4 dia.)
32	23549	2	Angle Plate
33	23548	2	Top Plate
34	23547	2	Bearing Top Plate
35	10361	2	Compression Spring (1/4 O.D. X 1" Lg.)



# PUMP BARREL ASSEMBLY

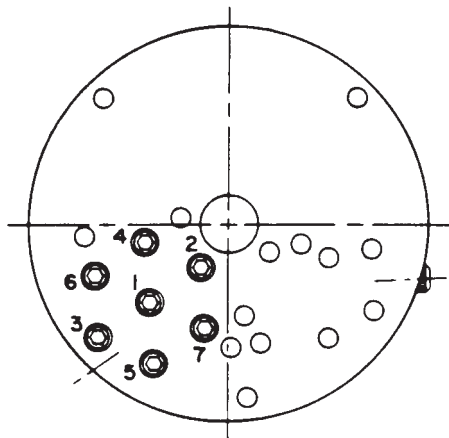
To Parts List



SECTION Z-Z

Sheet No.	4 of 6
Rev. 3	Date: 22 June 1999

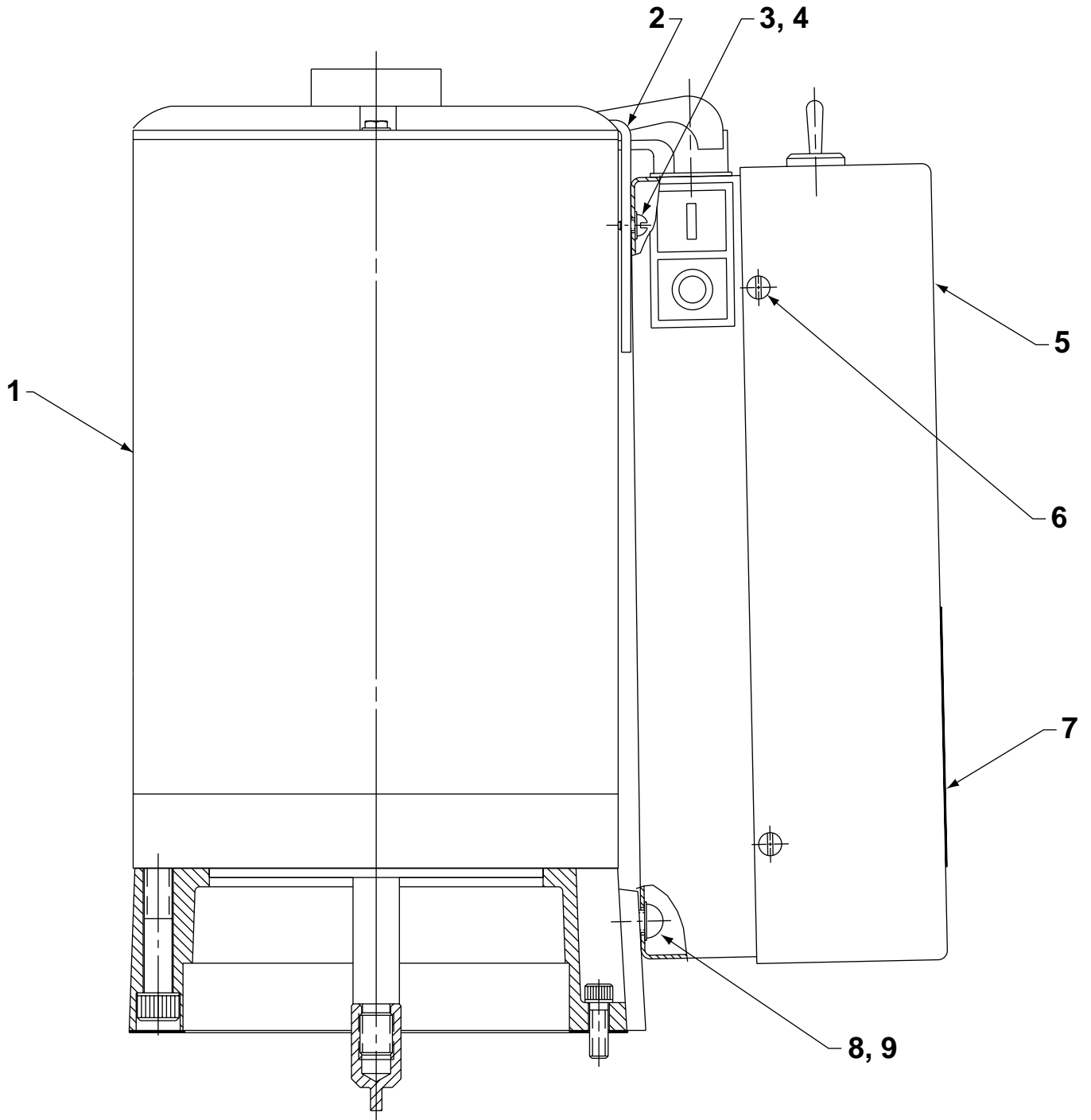
Item No.	Part No.	No. Req'd	Description
1	10002	2	Cap Screw (1/4-20 UNC X 3/8 Lg.; Torque to 140/160 in. lbs.)
2	10442	2	Washer (3/8 X 1/4 X 1/32)
3	64061	1	Top Plate
4	40630	2	Valve Head
5	41062	2	Barrel
6	21628	6	Piston
7	10445	12	Compression Spring (5/32 O.D. X 3/4 Lg.)
8	12223	14	Ball (3/16 Dia.)
9	24549	12	Spring Guide
10	10023	14	Cap Screw (1/4-28 UNF X 1-1/2 Lg.; Torque to 170/180 in. lbs. See diagram below)
11	10519	2	Set Screw (1/4-20 UNC X 3/8 Lg.; Torque to 65/70 in. lbs.)



## BOLT TIGHTENING SEQUENCE

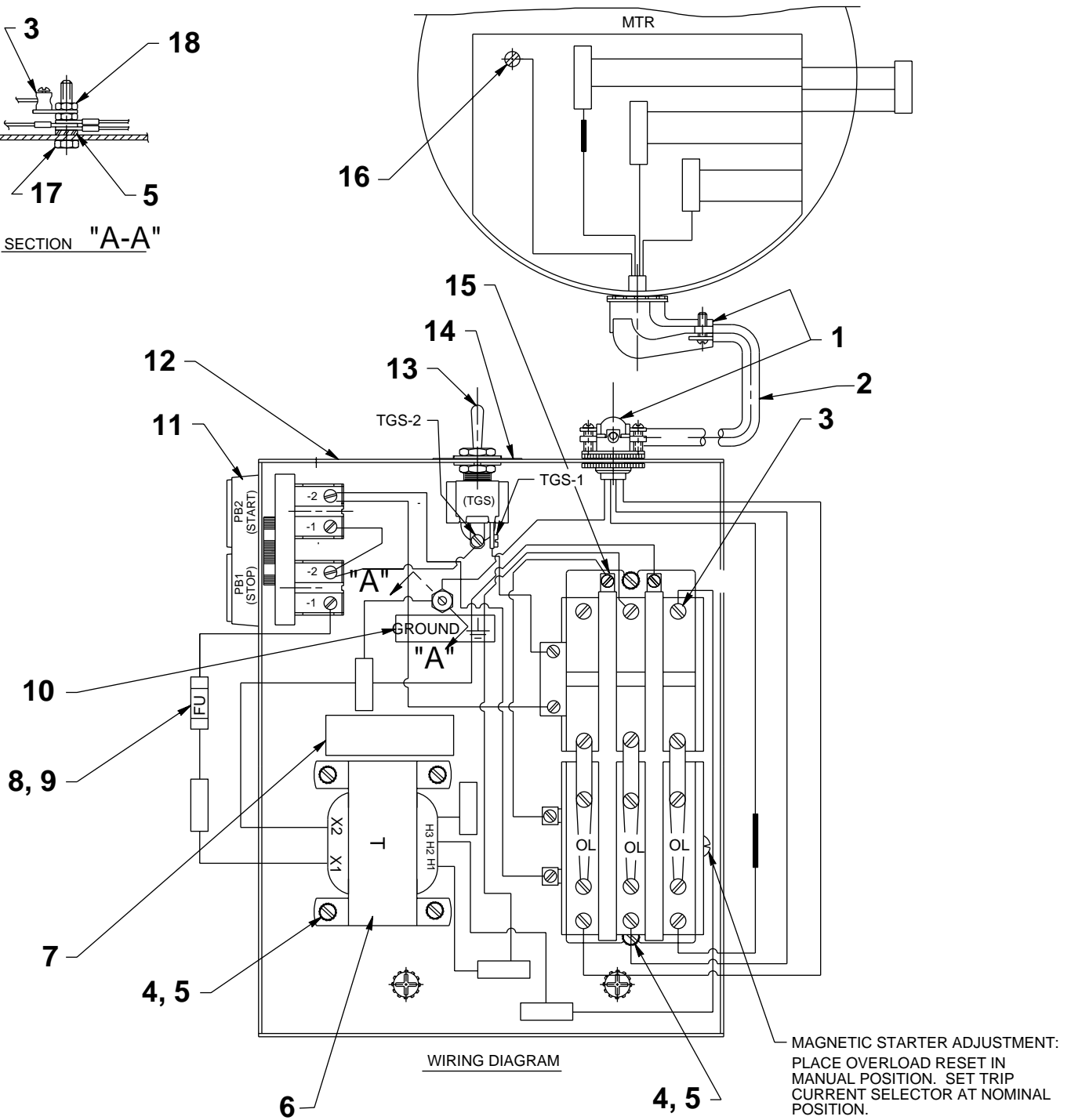
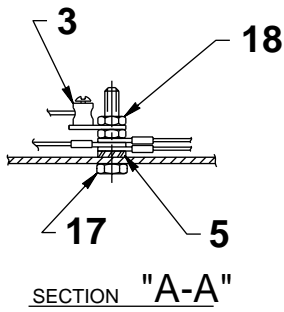
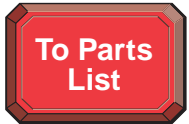
**NOTE: Assemble in sequence shown.  
Lubricate under head and on threads.  
Torque to 180 in. lbs.**

**MOTOR CONTROL ASSEMBLY**



Item No.	Part No.	No. Req'd	Description
1	41318-50	1	Motor (220/380 V., 50 Hz.)
2	210442	1	Mounting Bracket
3	10447	1	Screw (#8-32 UNC x 5/16 Lg.)
4	11388	1	Washer (#8 External Tooth)
5	52357GY5	1	Control Box Cover
6	14812	4	Screw (#8-18 x 3/8 Lg.)
7	200188	1	Warning/Important Decal
8	253371	2	Screw (1/4-20 UNC x 3/4 Lg.)
9	11351	2	Washer (1/4 External Tooth)

# CONTROL BOX ASSEMBLY



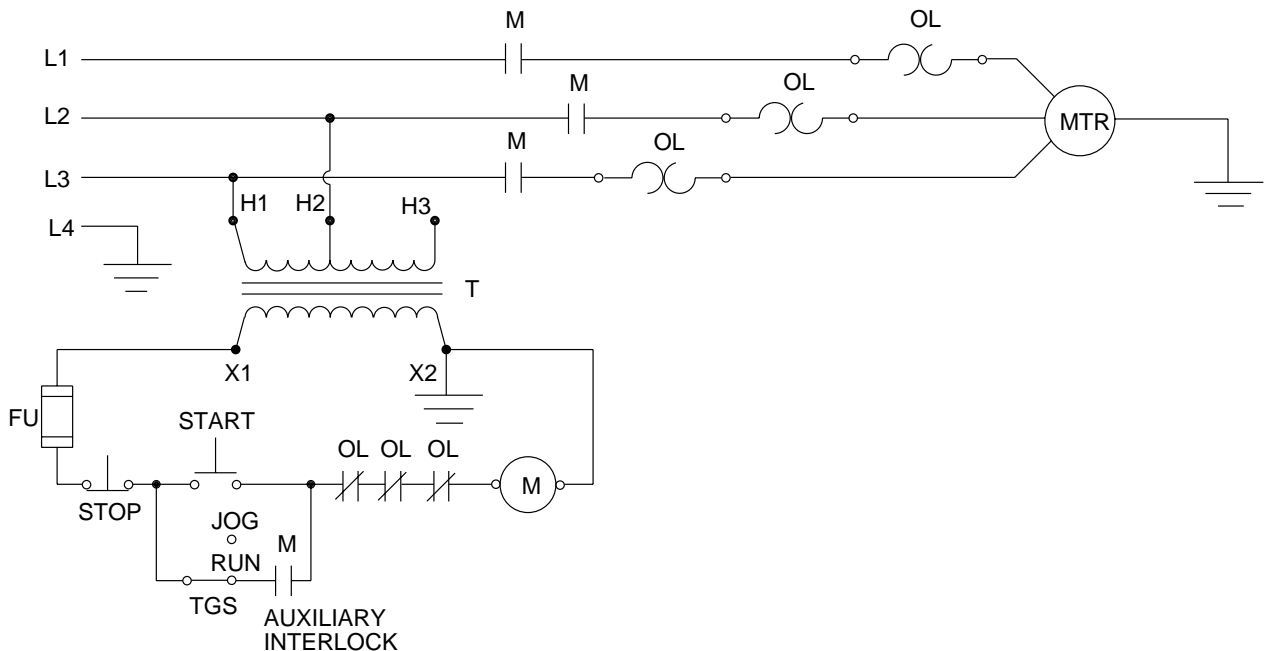
Item No.	Part No.	No. Req'd	Description
1	11144	2	90° Elbow Connector
2	12413	2.3 ft.	Elec. Cable (14/4 SO)
3	205420	4	Lug Connector
4	10164	6	Screw (#10-24 UNC x 3/8 Lg.)
5	11108	7	Washer (#10 External Tooth)
6	17703	1	Transformer
7	250150	1	Warning Decal
8	206962	1	Fuse (3 Amp, 250 V)
9	16887	1	Fuse Holder
10	205189	1	Ground Decal
11	309019	1	Push Button Switch
12	61220GY5	1	Electrical Control Box
13	12301	1	Toggle Switch
14	204577	1	Run/Jog Decal
15	17861-4	1	Magnetic Starter
16	15468	1	Screw (#6-32 x 3/8 Lg.)
17	104484	1	Screw (10-24 UNC x 3/4 Lg.)
18	10197	2	Hex Nut (#10-24 UNC)



**PARTS INCLUDED BUT NOT SHOWN**

202778	1	Remote Hand Switch Assembly (See Form no. 101644)
--------	---	---

**ELECTRICAL SCHEMATIC**



Note: Shaded areas reflect last revision(s) made to this form.

Sheet No. 6 of 6

Rev. 3 Date: 22 June 1999