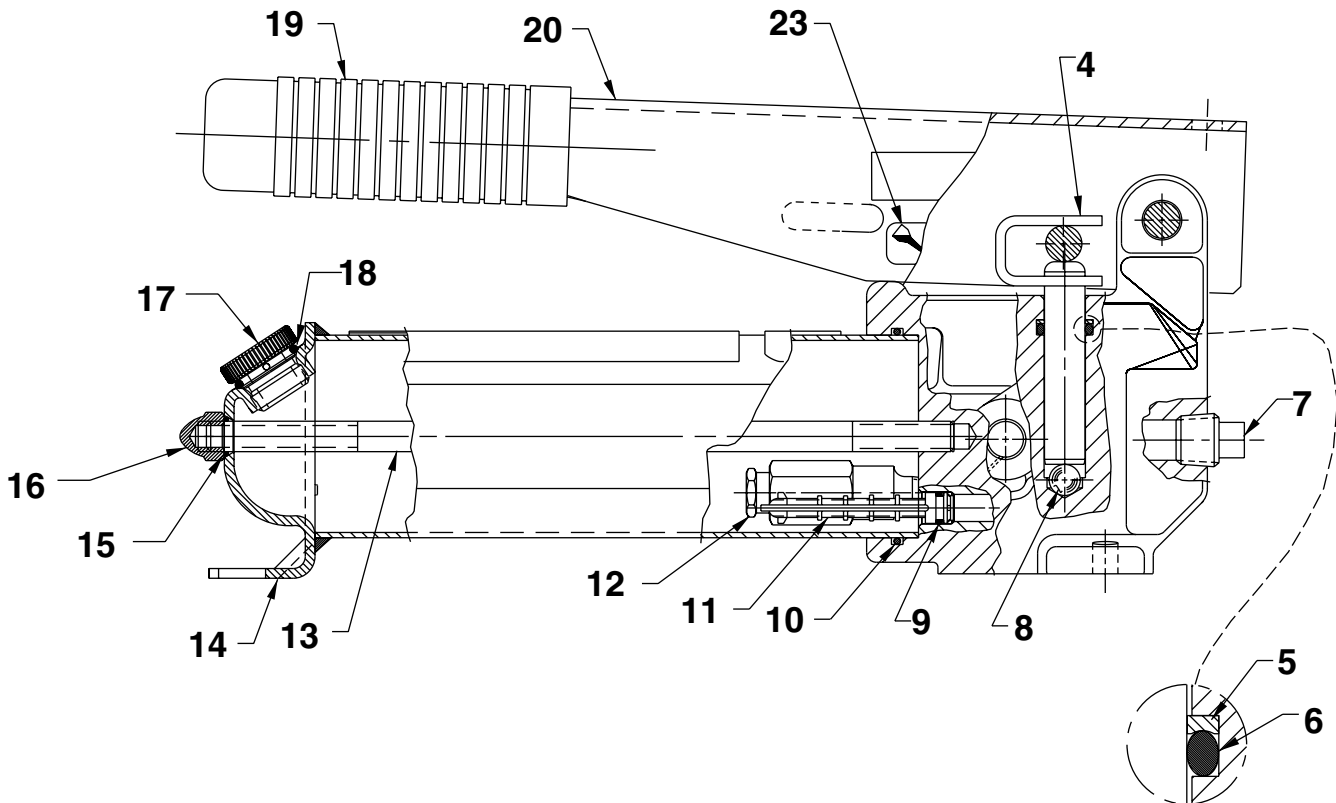
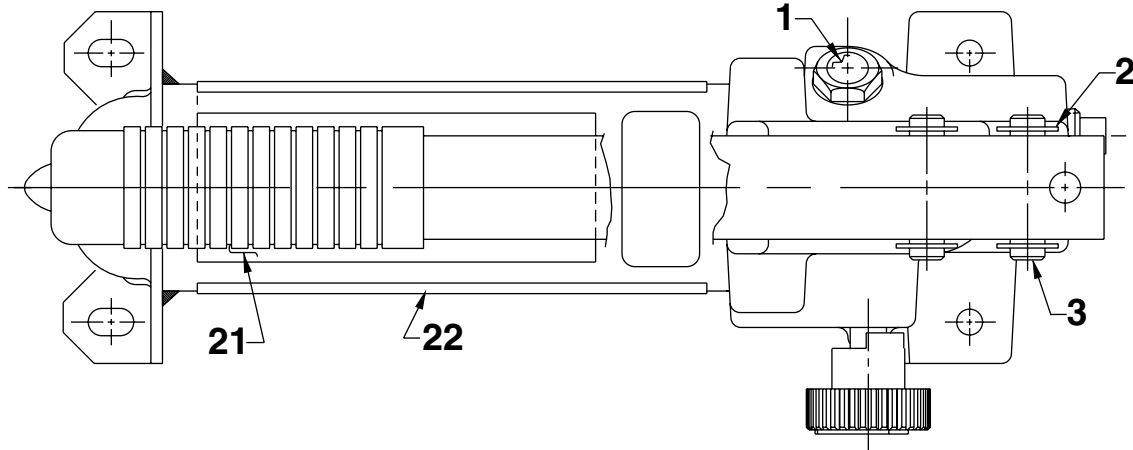


Parts List for:

P23 Series
P23-230
P23-245
P23-PFAFF
P23-RL-32

MODEL B
SINGLE STAGE
HYDRAULIC HAND PUMP



Note: Shaded areas reflect last revision(s) made to this form.

Sheet No. 1 of 2

Rev. 6 Date: 11 Jan. 2001

Parts List, Form No. 101740, Back sheet 1 of 2

Item No.	Part No.	No. Req'd	Description
1	†*215907	1	Decal
2	211743	4	Retaining Ring (Note: Expand the retaining ring to .440 dia. maximum during installation.)
3	211742	2	Dowel Pin
4	211468	1	Piston Assembly
5	†*213987	1	Backup Washer (11/16 X 1/2 X 3/64; Assemble with concave surface towards o-ring.)
6	*10271	1	O-ring (11/16 X 1/2 X 3/32; Nitrile)
	†11445	1	O-ring (11/16 X 1/2 X 3/32; Viton)
	19406	1	O-ring (11/16 X 1/2 X 3/32; EPR)
7	11127	1	Pressure Plug (3/8" NPTP)
8	†*10378	1	Steel Ball (3/8 dia.)
9	*12557	1	O-ring (11/32 X 7/32 X 1/16; Nitrile)
	†18973	1	O-ring (11/32 X 7/32 X 1/16; Viton)
	215375	1	O-ring (11/32 X 7/32 X 1/16; EPR)
10	*211495	1	O-ring (2-11/16 X 2-1/2 X 3/32; Nitrile)
	†213209	1	O-ring (2-11/16 X 2-1/2 X 3/32; Viton)
	215369	1	O-ring (2-11/16 X 2-1/2 X 3/32; EPR)
11	†*215075	1	Filter
12	21278-30	1	Relief Valve (Set at 3,000/3,400 PSI; For P23 & P23-PFAFF)
	21278-32	1	Relief Valve (Set at 3,100/3,300 PSI; For P23-RL-32)
	21278-35	1	Relief Valve (Set at 3,350/3,500 PSI for P23-230. Set at 3,550/3,700 PSI for P23-245)
13	252326	1	Tie Rod (For P23 & P23-PFAFF)
	252324	1	Tie Rod (For P23-RL-32)
14	421394	1	Reservoir Assembly (For P23 & P23-PFAFF)
	421269	1	Reservoir Assembly (For P23-RL-32)
15	13943	1	O-ring (1/2 X 3/8 X 1/16; Urethane)
	†11439	1	O-ring (1/2 X 3/8 X 1/16; Viton)
	17716	1	O-ring (1/2 X 3/8 X 1/16; EPR)
16	10842	1	Acorn Nut (Torque to 90/100 in. lbs. Fully engage acorn nut onto tie rod before torquing to body.)
17	351245	1	Filler Cap
18	10274	1	O-ring (.87 x .68; Nitrile)
	253597	1	O-ring (.87 x .68; Viton)
	253598	1	O-ring (.87 x .68; EPR)
19	211769	1	Handle Grip
20	46953OR9	1	Handle (For P23, P23-230, & P23-245)
	46953GY6	1	Handle (For P23-PFAFF)
	46953BK2	1	Handle (For P23-RL-32)
21	†*305977	1	Warning Decal (For P23, P23-RL-32, P23-230, & P23-245)
	305977-CE	1	Warning Decal (For P23-PFAFF)
22	350353	1	Trade Name Decal (For P23, P23-230, & P23-245)
	252184	1	Trade Name Decal (For P230PFAFF only)
23	253234	1	Decal (Oil Pivot Pins)

Note: Apply Locktite 592 (PT #905516) or equiv. & torque to 150/170 in. lbs.

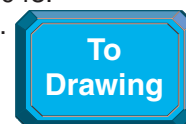
PARTS INCLUDED BUT NOT SHOWN

307066	1	Handle Retainer
205724	1	Attention Decal (Viton Seals; For P23 & P23-RL-32)
253523	1	Serial Number Decal (For P23-PFAFF)

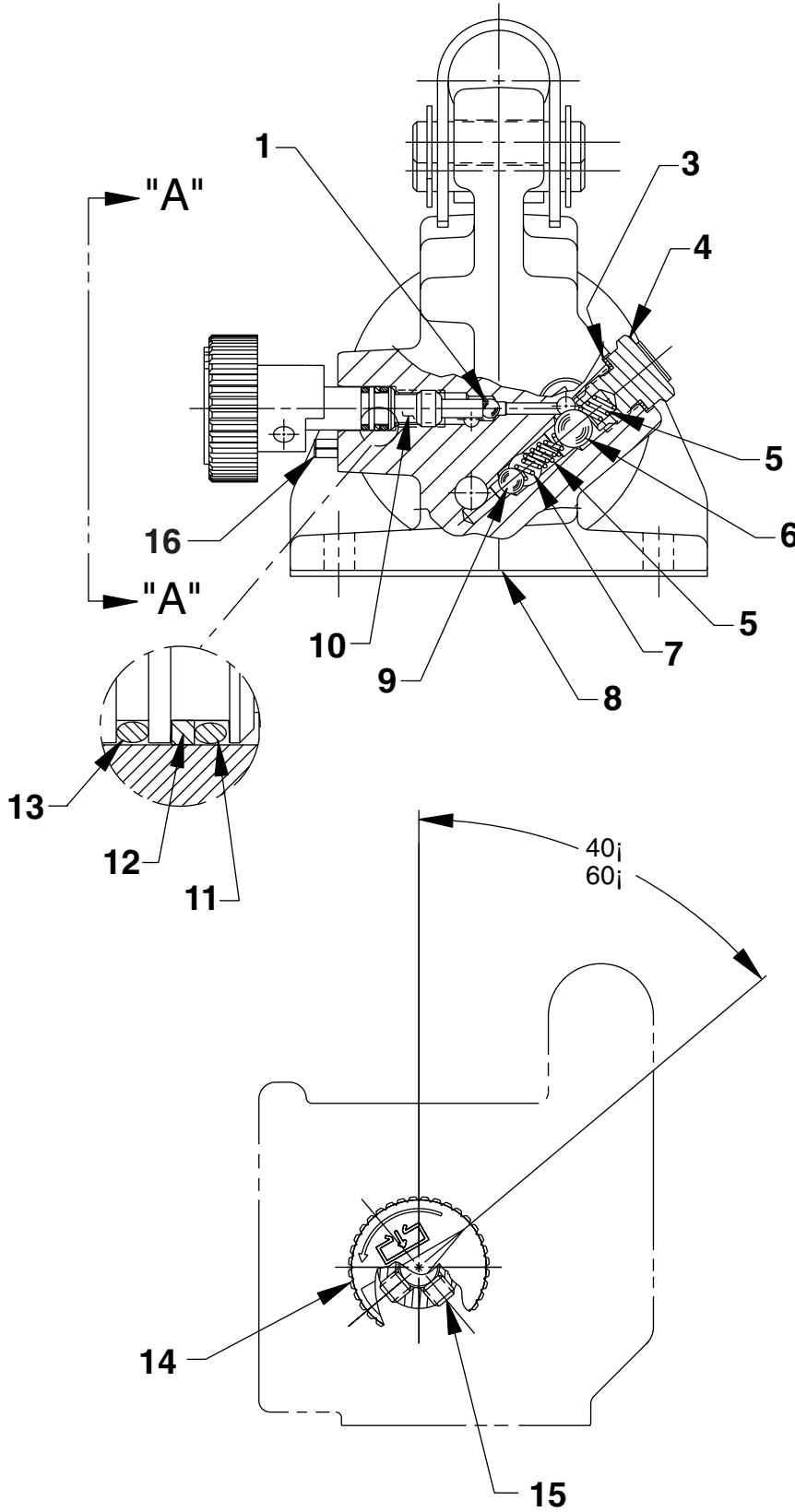
Part numbers marked with an asterisk (*) are contained in Standard Repair Kit No. 300943.

Part numbers marked with a dagger (†) are contained in Viton Seal Kit No. 300472.

Note: Shaded areas reflect last revision(s) made to this form.



END VIEW & SECTION A-A



VIEW **A-A**

Parts List, Form No. 101740, Back sheet 2 of 2

Item No.	Part No.	No. Req'd	Description
1	†*12223	1	Ball (3/16 Dia.)
3	†*14874	1	Soft Copper Washer (.700 X 1/2 X 1/32)
4	351952	1	Valve Screw (1/2-20 x 7/8 Lg.; Torque to 350/370 in. lbs.)
5	†*10444	2	Compression Spring (3/16 I.D. X 13/32 Lg.)
6	†*10378	1	Steel Ball (3/8 dia.)
7	†*211797	1	Spring (5/32 O.D. X 5/8 Lg.)
8	61295	1	Pump Body (Includes pin [Item #16].)
9	†*10375	1	Steel Ball (1/4 dia.)
10	350185	1	Release Valve Screw (Note: When ordering this part, also order nylon ball [Item #13], included in Repair Kit.)
11	*10267	1	O-ring (7/16 X 5/16 X 1/16; Nitrile)
	†18974	1	O-ring (7/16 X 5/16 X 1/16; Viton)
	13472	1	O-ring (7/16 X 5/16 X 1/16; EPR)
12	†*15085	1	Backup Ring (7/16 X 5/16 X 3/64 Thk., -011)
13	14763	1	O-ring (.43 x .31; Urethane)
14	351087	1	Release Valve Knob (Note: Screw in valve stem until seated [bottomed out]. Then position knob as shown with knob bottomed out on valve stem. Lock in place with set screw.)
15	10556	2	Soc. Set Screw (1/4-20 UNC X 1/4 Lg.; Torque to 50/70 in. lbs.)
16	10714	1	Slotted Spring Pin (Included with pump body [Item #8].)

Part numbers marked with an asterisk (*) are contained in Standard Repair Kit No. 300943.

Part numbers marked with a dagger (†) are contained in Viton Seal Kit No. 300472.



Refer to any operating instructions included with this product for detailed information about operation, testing, disassembly, reassembly, and preventive maintenance.

Items found in this parts list have been carefully tested and selected. **Therefore: Use only genuine Power Team replacement parts!**

Additional questions can be directed to our Technical Services Department.