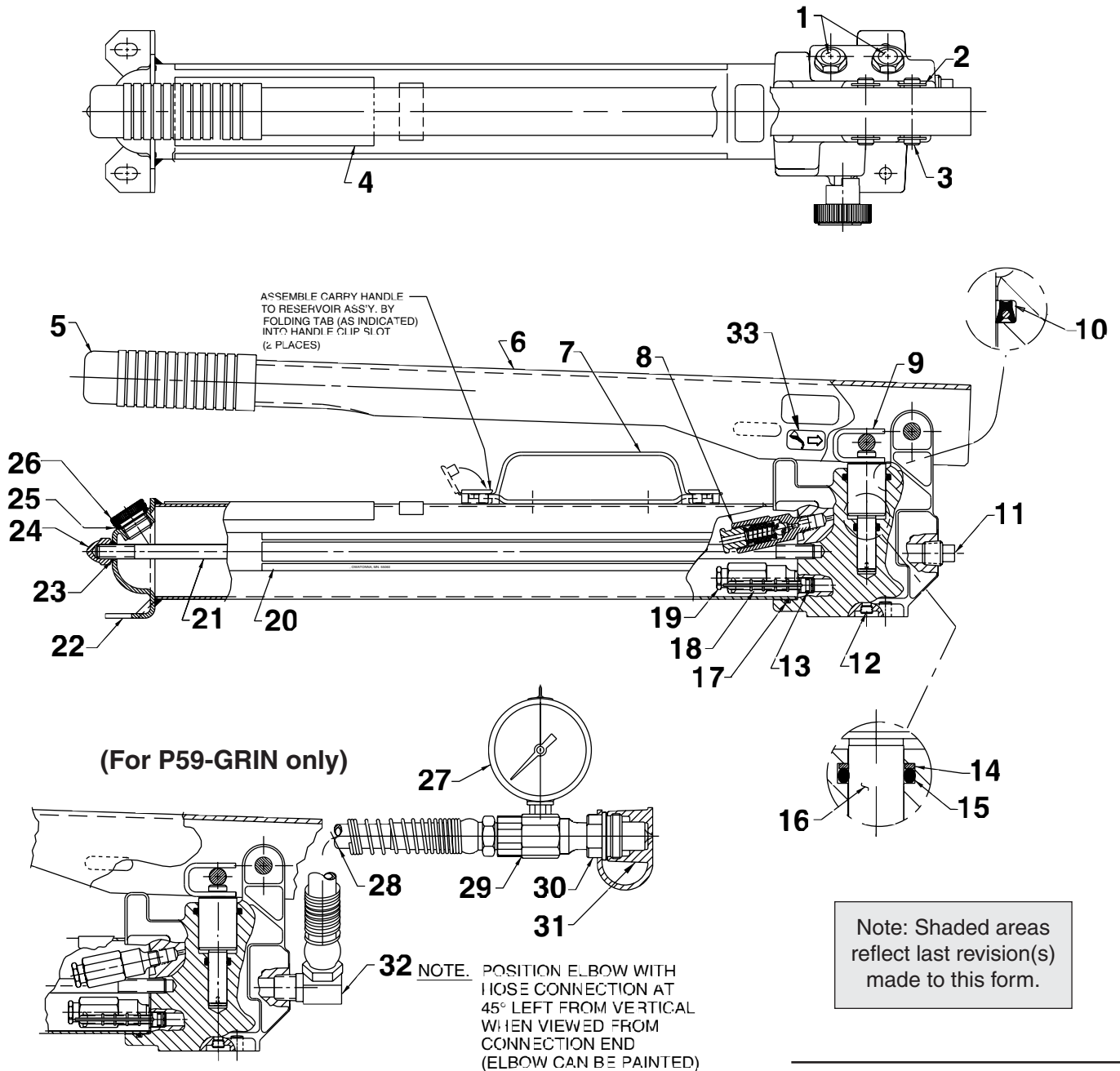


Parts List for:

66463	P59-GRIN	P59VIC
66473	P59-HAMM	P59VIC2
P59-BURN	P59-PFAFF	P59-VIC-SP
P59 Series	P59-PPC	P59-WEIT
	P59S-RIDGE	

MODEL C TWO-SPEED HYDRAULIC HAND PUMP 325 PSI FIRST STAGE; 10,000 PSI SECOND STAGE

TOP AND SIDE VIEWS



Parts List, Form No. 101744, Back sheet 1 of 3

Item No.	Part No.	No. Req'd	Description
1	*215907	2	Decal (Do Not Remove)
2	211743	4	Retaining Ring (For all except P59-BURN)
3	211742	2	Dowel Pin (7/16 dia. X 1-3/4 Lg.; For all except P59-BURN)
4	305977	1	Warning Decal (For all except P59-HAMM & P59-PFAFF)
	305977-CE	1	Warning Decal (For P59-HAMM & P59-PFAFF)
5	211769	1	Handle Grip (For all except P59-VIC-SP, P59-BURN, P59-RIDGE, P59VIC & P59VIC2)
	206731	1	Handle Grip (For P59S-RIDGE, P59VIC & P59VIC2)
	206739	1	Handle Grip (For P59-VIC-SP)
6	61287OR9	1	Handle (For all except P59-PFAFF, P59-VIC-SP, P59-BURN, P59-PPC, P59VIC, P59VIC2 & P59S-RIDGE)
	61287GY6	1	Handle (For P59-PFAFF)
	59157BK2	1	Handle (For P59-VIC-SP)
	420294BK2	1	Handle (For P59S-RIDGE)
	46953BL2	1	Handle (For P59-PPC)
	58197BK2	1	Handle (Bent tubing) } For P59VIC & P59VIC2
	46953BK2	1	Handle }
7	58048	1	Carry Handle (For all except P59-GRIN, P59-VIC-SP, P59-PPC, P59S-RIDGE, P59VIC & P59VIC2)
8	48011	1	Low Pressure Relief Valve Assembly } Apply Loctite 592 (PT #905516) or equiv. & torque to 150/170 in. lbs.
	48011-2	1	Low Pressure Relief Valve Assembly } (For P59-PPC)
9	211470	1	Piston Clip
10	*250233	1	U-cup
11	11127	1	Pipe Plug (3/8 NPTF; For all except P59-GRIN & 66473)
	39911	1	Rubber Hose (6'; For 66473)
12	11084	1	Pipe Plug (1/16 NPTF; Apply Loctite and assemble below bottom surface of pump body.)
13	*12557	1	O-ring (11/32 X 7/32 X 1/16)
	†18973	1	O-ring (11/32 X 7/32 X 1/16; Viton)
	215375	1	O-ring (11/32 X 7/32 X 1/16; EPR)
14	*†213987	1	O-ring Backup Washer (Assemble with concave surface towards o-ring)
	250611	1	O-ring Backup Washer (Assemble with concave surface towards o-ring; For P59-BURN & P59-PPC)
15	*10271	1	O-ring (11/16 X 1/2 X 3/32)
	†11445	1	O-ring (11/16 X 1/2 X 3/32; Viton) } For all except P59-BURN & P59-PPC
	19406	1	O-ring (11/16 X 1/2 X 3/32; EPR) }
	15279	1	O-ring (.50 x .37 Nitrile; For P59-BURN & P59-PPC)
16	421412	1	Piston (For all except P59-BURN & P59-PPC)
	421413	1	Piston (For P59-BURN & P59-PPC)
17	*211495	1	O-ring (2-11/16 X 2-1/2 X 3/32)
	†213209	1	O-ring (2-11/16 X 2-1/2 X 3/32; Viton)
	251369	1	O-ring (2 11/16 X 2 1/2 X 3/32; EPR)
18	*215075	1	Plug Filter
19	21278	1	High Pressure Relief Valve Assembly (Set at 10,100/10,700 PSI; For all except P59-GRIN, P59-VIC-SP, P59-BURN, P59S-RIDGE, P59VIC & P59VIC2)
	21278-48	1	High Pressure Relief Valve Assembly (Set at 4,900/5,300 PSI; For P59-GRIN)
	21278-40	1	High Pressure Relief Valve Assembly (Set at 4,100/4,500 PSI; For P59-VIC-SP & P59VIC2)
	21278-38	1	High Pressure Relief Valve Assembly (Set at 3,750/3,950 PSI; For P59VIC)
	21278-35	1	High Pressure Relief Valve Assembly (Set at 3,500/3,800 PSI; For P59S-RIDGE)
	207975-100	1	High Pressure Relief Valve Assembly (Set at 9,600/10,000 PSI; For P59-BURN)
20	360054	1	Trade Name Decal (For P59, P59-HAMM, P59-WEIT & 66473)
	252186	1	Trade Name Decal (For P59-PFAFF)

Apply Loctite 592 (PT #905516) or equiv. & torque to 150/170 in. lbs.

Continued-

Note: Shaded areas reflect last revision(s) made to this form.

Item No.	Part No.	No. Req'd	Description
21	252502	1	Tie Rod (For P59, P59-PFAFF, P59-BURN, P59-WEIT & 66473)
	252326	1	Tie Rod (For P59-GRIN & P59-PPC)
	252142	1	Tie Rod (For P59-HAMM)
	253265	1	Tie Rod (For P59-VIC-SP)
	252328	1	Tie Rod (For P59VIC & P59VIC2)
	252327	1	Tie Rod (For P59S-RIDGE)
22	351367	1	Reservoir Assembly (P59, P59-PFAFF, P59-BURN, P59-WEIT & 66473)
	421394	1	Reservoir Assembly (For P59-GRIN)
	351407	1	Reservoir Assembly (For P59-HAMM)
	351393	1	Reservoir Assembly (For P59S-RIDGE)
	421393	1	Reservoir Assembly (For P59-PPC)
	421437	1	Reservoir Assembly (For P59VIC & P59VIC2)
	421748	1	Reservoir Assembly (For P59-VIC-SP)
23	*13943	1	O-ring (1/2 X 3/8 X 1/16; Urethane)
	†11439	1	O-ring (1/2 X 3/8 X 1/16; Viton)
24	17716	1	O-ring (1/2 X 3/8 X 1/16; EPR)
	10842	1	Acorn Nut (Torque to 90/110 in. lbs.; Fully engage acorn nut onto tie rod before torquing to body.)
25	*10274	1	O-ring (.87 x .68; Nitrile)
	253597	1	O-ring (.87 x .68; Viton)
	253598	1	O-ring (.87 x .68; EPR)
26	351245	1	Filler Cap
27	17946	1	Gauge (0-6,000 PSI; For P59-GRIN)
28	36890	1	Polyurethane Hose (2 ft.; For P59-GRIN & P59-VIC-SP)
29	9670	1	Tee Fitting (For For P59-GRIN)
30	25599	1	Hose Half Coupler (For For P59-GRIN & P59-VIC-SP)
31	9800	1	Dust Cap (For For P59-GRIN)
	9799	1	Dust Cap (For P59-VIC-SP)
32	9681	1	Elbow Fitting (For P59-GRIN)
	10474	1	Elbow Fitting (For P59-VIC-SP)
33	253234	1	Decal (Oil Pivot Pins; For all except P59-BURN)

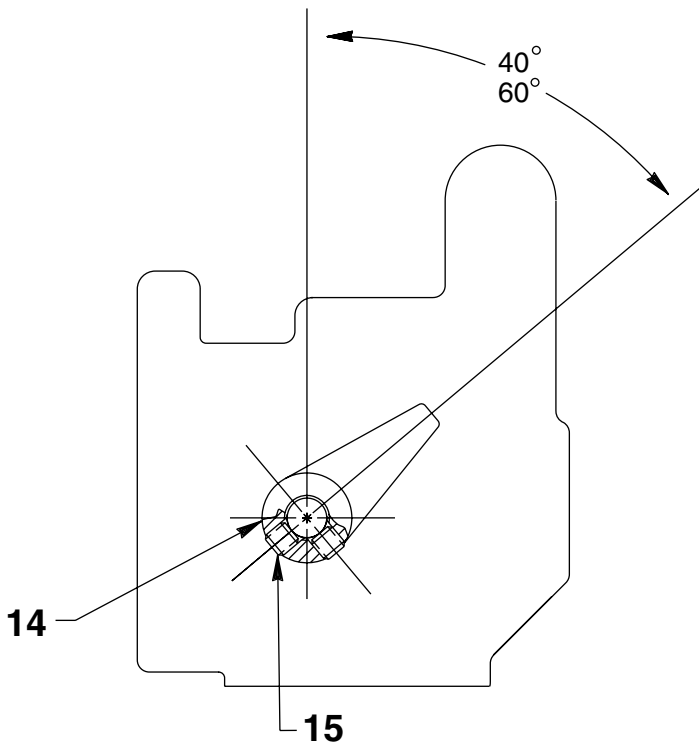
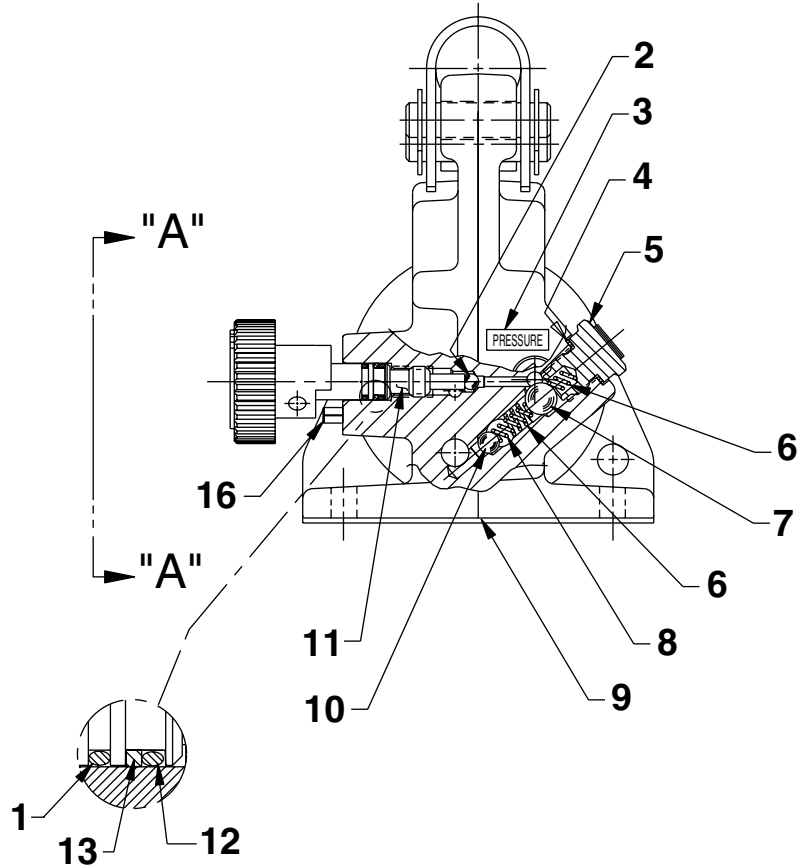
PARTS INCLUDED BUT NOT SHOWN

251020	1	Screw, HH Cap (3/8-16 x 1-3/4)	} For P59VIC & P59VIC2
12013	1	Nut, Hex Lock (3/8-16)	
10474	1	Fitting, Elbow (90° 3/8 NPTF)	

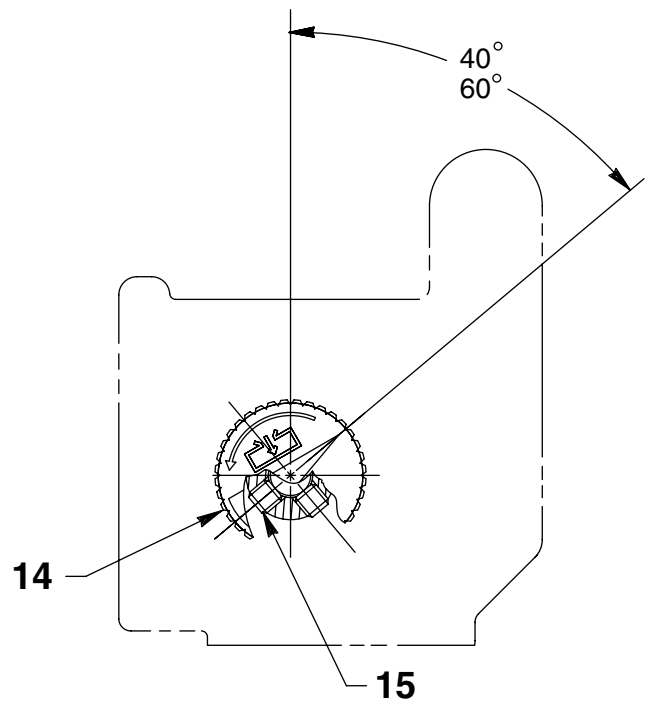
Part numbers marked with an asterisk (*) are contained in Standard Repair Kit No. 300506.
 Part numbers marked with a dagger (†) are contained in Viton Seal Kit No. 300510.

Note: Shaded areas reflect last revision(s) made to this form.

END VIEW AND SECTION A-A



VIEW A-A
(For P59-WEIT)



VIEW A-A
(For all except P59-WEIT)

Item No.	Part No.	No. Req'd	Description
1	*14763	1	O-ring (.43 x .31; Urethane)
2	*12223	1	Ball (3/16 dia.)
3	215301	1	Decal (Pressure)
	252247	1	Decal (Pictogram; For P59-PFAFF & P59-HAMM)
4	*14874	2	Copper Washer
5	351952	2	Valve Screw (Torque to 350/370 in. lbs.)
6	*10444	4	Compression Spring
7	*10378	2	Steel Ball (3/8 dia.)
8	*211797	2	Compression Spring
9	64063	1	Pump Body (For all except P59-VIC-SP, P59S-RIDGE, P59VIC, P59VIC2, P59-BURN & P59-WEIT)
	64142	1	Pump Body (For P59-VIC-SP & P59VIC)
	64167	1	Pump Body (For P59-BURN & P59-PPC)
10	*10375	2	Steel Ball (1/4 dia.)
11	350185	1	Release Valve Screw
12	*10267	1	O-ring (7/16 x 5/16 x 1/16)
	†18974	1	O-ring
13	*†15085	1	O-ring Backup Washer
14	351087	1	Release Valve Knob (For all except P59-WEIT; Note: Screw in valve stem until seated [bottomed out]. Then position knob as shown with knob bottomed out on valve stem. Lock in place with set screws [Item #15].)
	21643	1	Release Valve Handle (ForP59-WEIT; Note: Screw in valve stem until seated [bottomed out]. Then position handle as shown with handle bottomed out on valve stem. Lock in place with set screws [Item #15].)
15	10556	1 or 2	Set Screw (1/4-20 x 1/4 Lg.; Torque to 50/70 in. lbs.)
16	10714	1	Slotted Spring Pin (Included with pump body [Item #9].)

} Includes pin [Item #16].

Part numbers marked with an asterisk (*) are contained in Standard Repair Kit No. 300506.
 Part numbers marked with a dagger (†) are contained in Viton Seal Kit No. 300510.

Refer to any operating instructions included with the product for detailed information about operation, testing, disassembly, reassembly, and preventive maintenance.

Items found in this parts list have been carefully tested and selected. **Therefore: Use only genuine Power Team replacement parts!**

Additional questions can be directed to our Technical Services Department.