

Parts List for:

RH202
RH202-VIC
RH206

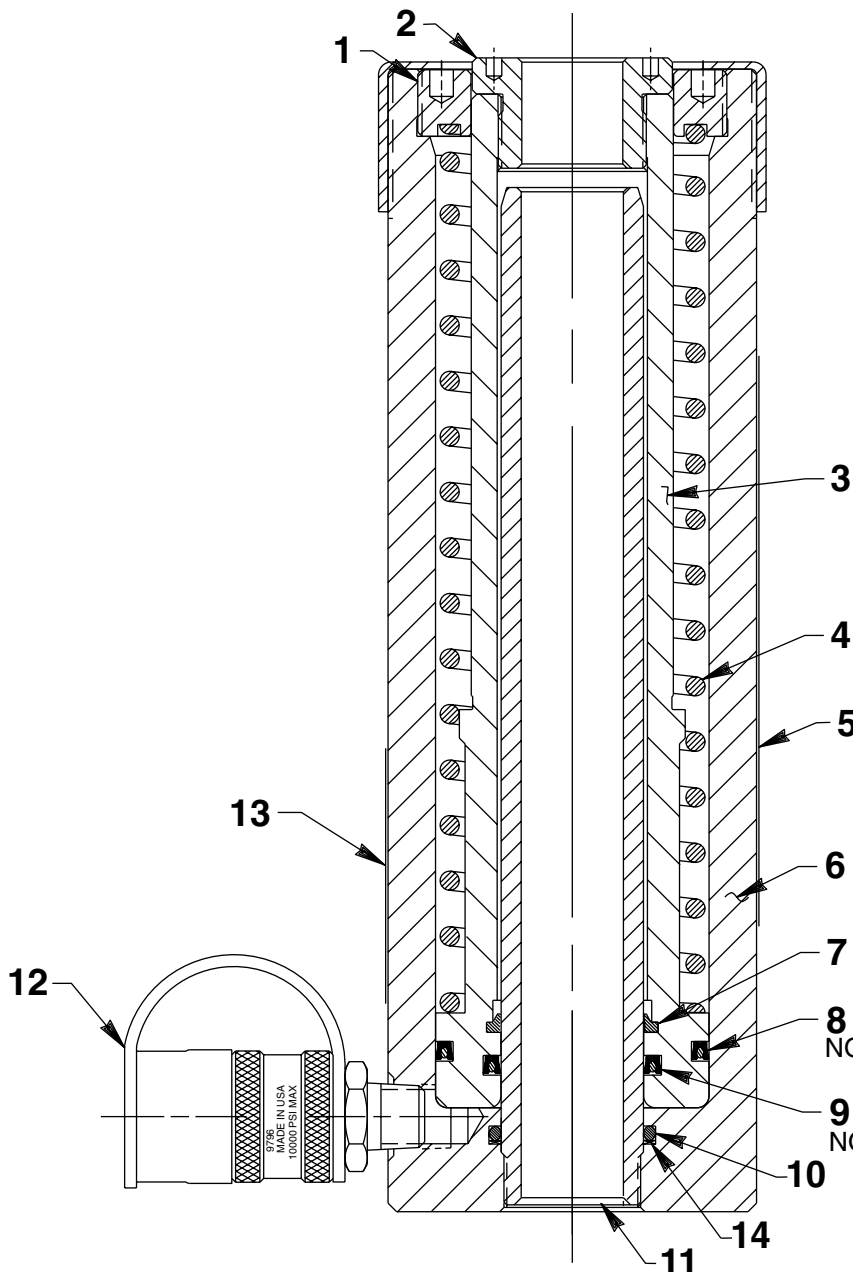
MODEL B SINGLE-ACTING, SPRING RETURN HYDRAULIC CYLINDER

Max. Capacity: 23.6 Ton (213,2 kN) at 10,000 PSI (700 Bar)



WARNING:

To help avoid personal injury, DO NOT disassemble cylinder. The retainer nut is loaded with 75 lbs. of spring force, and releasing this spring force improperly could result in serious bodily harm. All repairs must be done by an authorized Power Team Hydraulic Service Center.



NOTE: Remove energizer before assembly.

NOTE: Remove energizer before assembly.

Sheet No. 1 of 1

Rev. 1 Date: 11 April 2000

Item No.	Part No.	No. Req'd	Description
1	350324	1	Retainer Nut
2	350323	1	Threaded Piston Cap (Not included on RH202-VIC)
3	58244	1	Piston Rod (For RH202 & RH202-VIC)
	58212	1	Piston Rod (For RH206)
4	250931	1	Compression Spring (For RH202 & RH202-VIC)
	250646	1	Compression Spring (For RH206)
5	351378	1	Decal (For RH202)
	351379	1	Decal (For RH206)
6	58823	1	Cylinder Body (For RH202)
	58874	1	Cylinder Body (For RH206)
	58872	1	Cylinder Body (For RH202-VIC)
7	*16720	1	Rod Wiper
8	*28656	1	U-cup (NOTE: Remove energizer before assembly.)
9	*250338	1	U-cup (NOTE: Remove energizer before assembly.)
10	*14739	1	O-ring (1.68 x 1.50 Nitrile)
11	421344	1	Standpipe (For RH202 & RH202-VIC; Bottom out and back off (.01) 1/8 revolution. Apply primer and Loctite 242.)
	421397	1	Standpipe (For RH206; Bottom out and back off (.01) 1/8 revolution. Apply primer and Loctite 242.)
12	9796	1	Cylinder Half Quick Coupler (For RH202 & RH206)
	11127	1	Pressure Plug (3/8 NPTF; For RH202-VIC)
13	*203908	1	Warning Decal (For RH202 & RH206)
14	*19272	1	Backup Washer (1.69 x 1.50)

PARTS INCLUDED BUT NOT SHOWN

421272 1 Thread Protector (for RH202 & RH206)

Part numbers marked with an asterisk (*) are contained in Repair Kit No. 300615.

Note: Shaded areas reflect last revision(s) made to this form.

Refer to any operating instructions included with this product for detailed information about operation, testing, disassembly, reassembly, and preventive maintenance.

Items found in this parts list have been carefully tested and selected. **Therefore: Use only genuine Power Team replacement parts!**

Additional questions can be directed to our Technical Services Department.