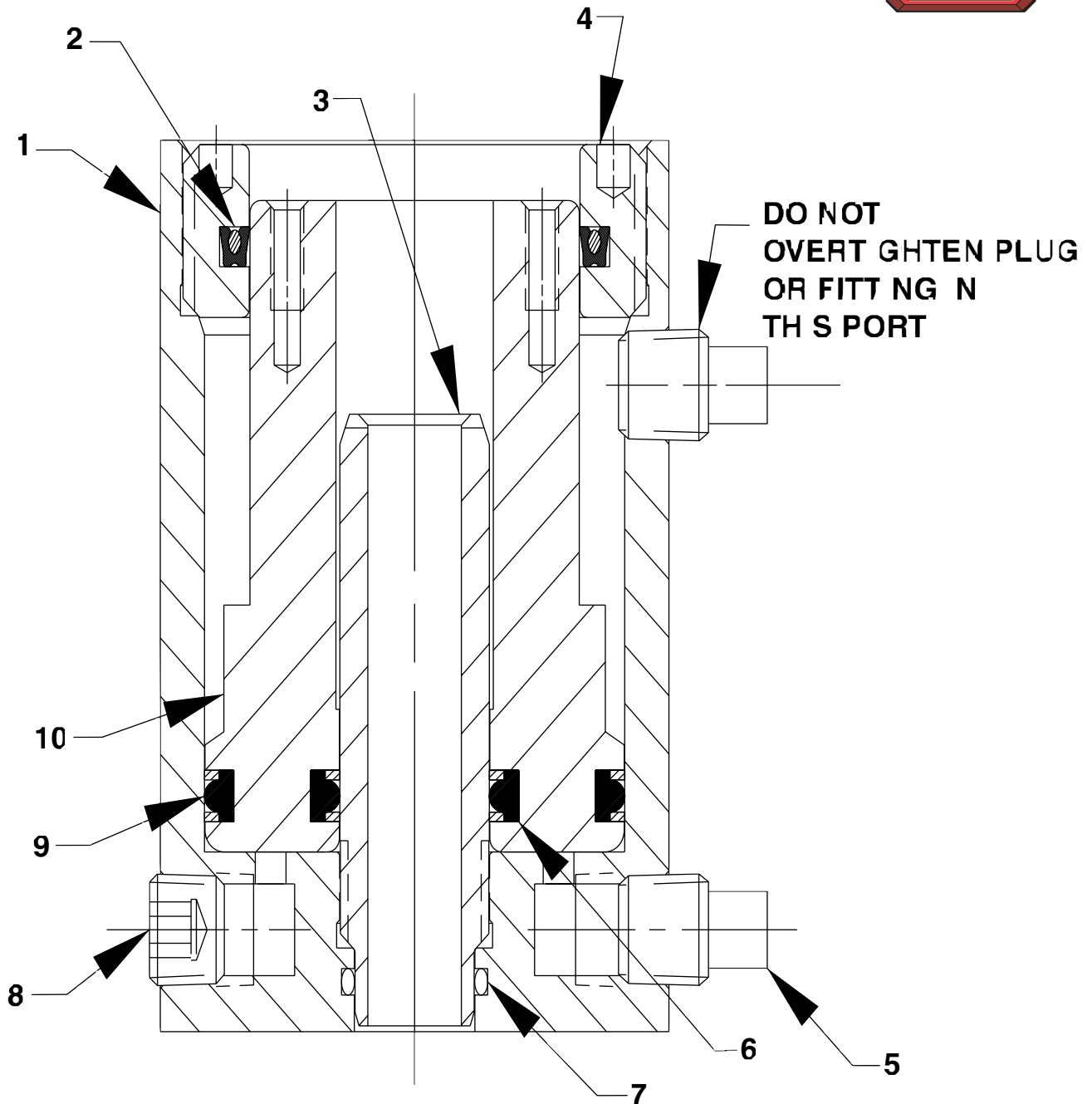


### DOUBLE-ACTING, AIR RETURN HYDRAULIC CYLINDER MAX. CAPACITY: 17,000 LBS. AT 8,100 PSI



# Parts List, Form No. 101755, Back sheet 1 of 1

---

Item No.	Part No.	No. Req'd	Description
1	421298	1	Cylinder Body
2	*252377	1	U-Cup (Install with "U" and energizer facing out as shown.)
3	351272	1	Standpipe (Loctite thread and torque to 40/60 in. lbs.)
4	351273	1	Retainer Nut (Note: Apply Loctite 7090 Primer N [solventless]. Apply Loctite 277 around entire threads. Cure for 24-48 hours.)
5	11048	2	Plug Fitting
6	*252376	1	T-seal
7	*11440	1	O-ring (5/8 x 1/2 x 1/16)
8	10427	1	Plug Fitting
9	*14884	1	T-seal
10	421299	1	Piston Rod

#### PARTS INCLUDED BUT NOT SHOWN

\*203908 1 Warning Decal

Part number marked with an asterisk (\*) are contained in Repair Kit No. 300925.



Refer to any operating instructions included with this product for detailed information about operation, testing, disassembly, reassembly, and preventive maintenance.

Items found in this parts list have been carefully tested and selected. **Therefore: Use only genuine Power Team replacement parts!**

Additional questions can be directed to our Technical Services Department.