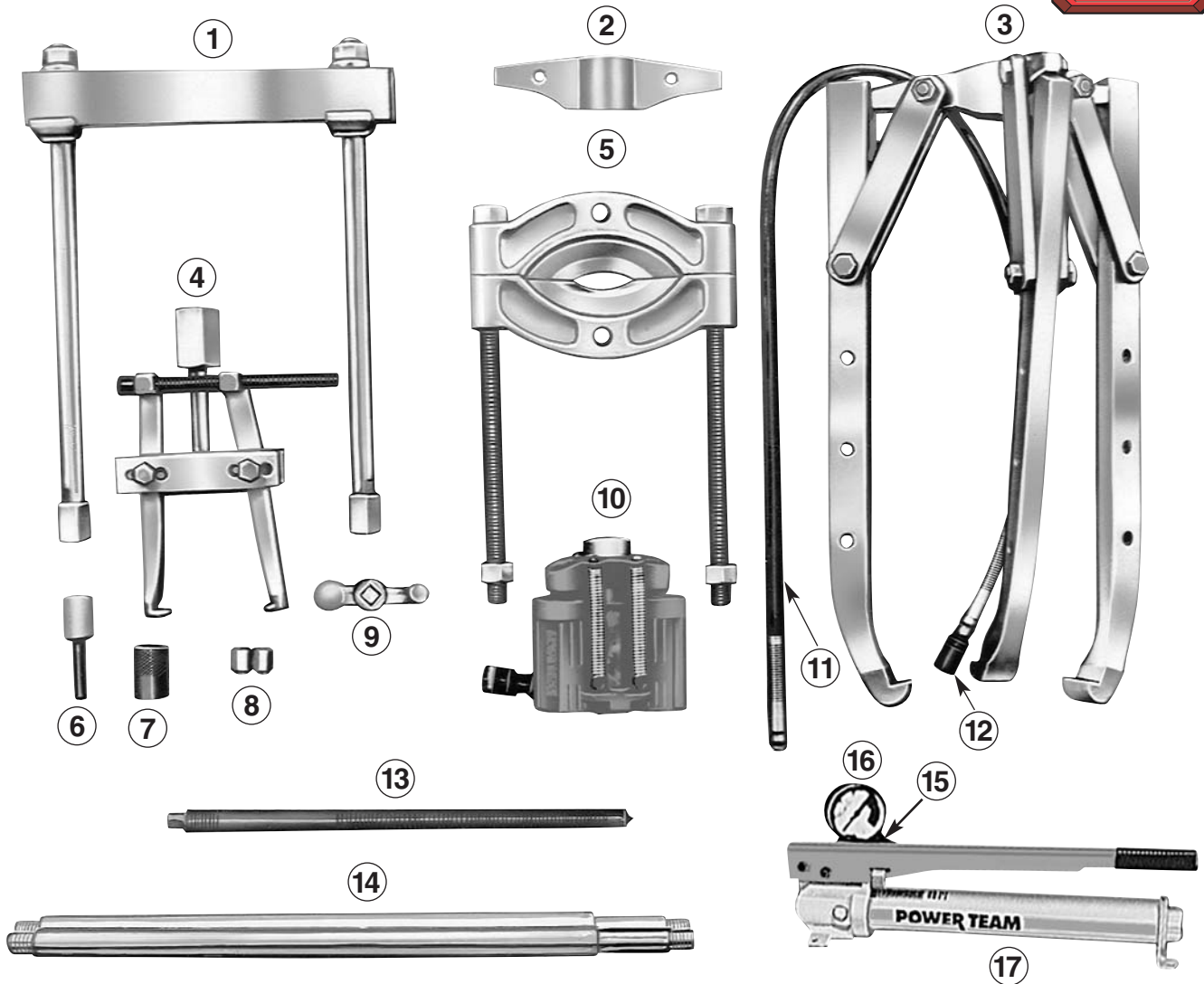


30 TON CAPACITY PULLER SET

To Parts List



Parts List, Form No. 101764, Back sheet 1 of 1

Item No.	Part No.	No. Req'd	Description
1	1070	1	Push-puller (30 ton with 18" legs)
2	41226	1	2-way Head (For 1074)
3	1074	1	Hydraulic Puller (30 ton; 3 jaw)
4	1166	1	Bearing Cup Pulling Attachment
5	1127	1	Bearing Pulling Attachment
6	34510	1	Pushing Adapter
7	28229	1	Cylinder Cap
8	8036	2	Female Threaded Adapter (1" - 14 X 1" 14)
9	27198	1	Speed Crank
10	RT302	1	Twin Cylinder With Threaded Insert (30 ton)
11	9767	1	Hydraulic Hose 6'
12	9798	1	Hose Half Coupler
13	34758	1	Adjusting Screw
14	1111	1	Puller Legs (28"; For 1070)
15	9670	1	Tee Adapter
16	9059	1	Pressure Gauge
17	P55	1	Hand Pump Assembly (Single-Stage)

