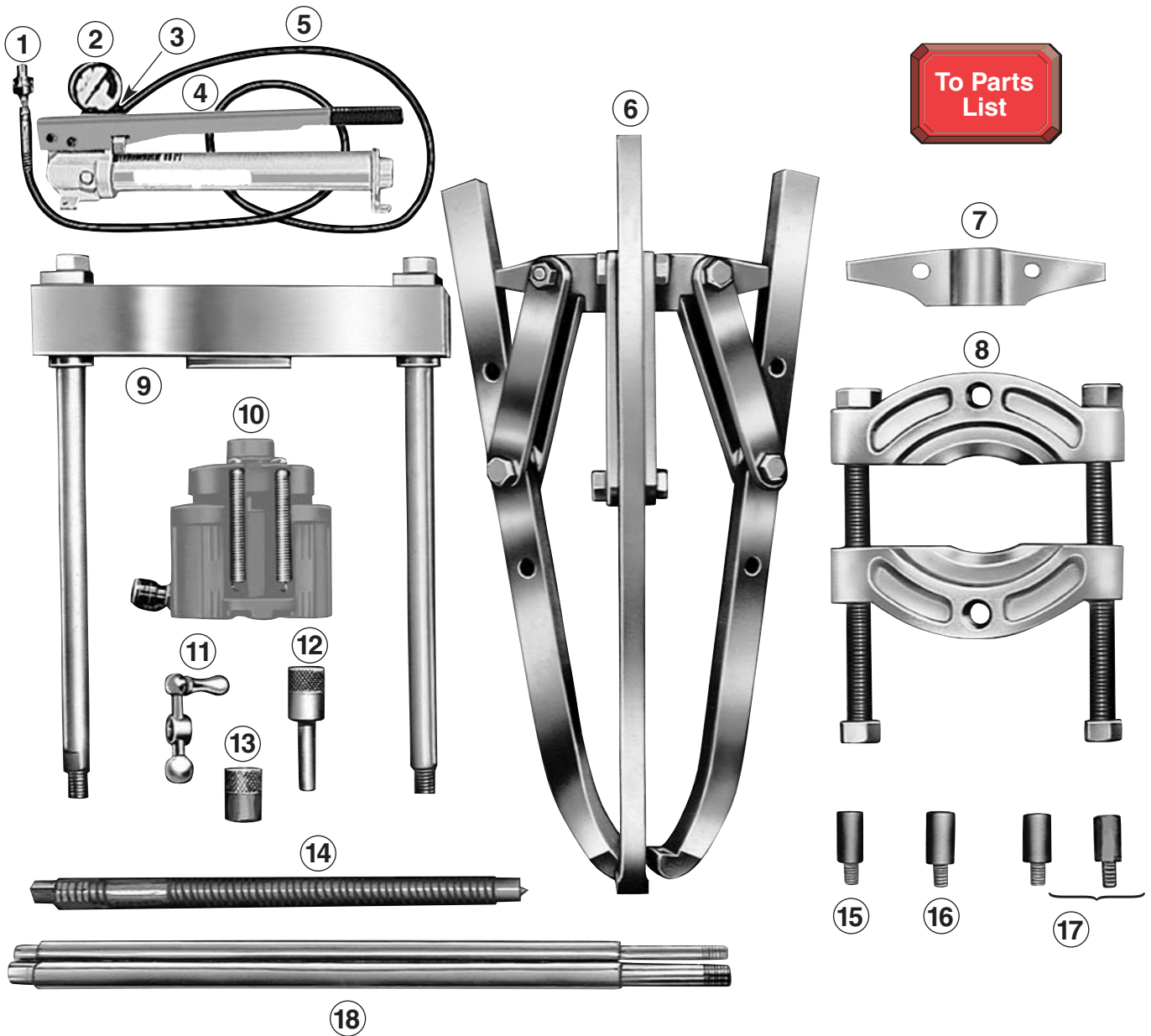


## 50 TON CAPACITY PULLER SET



To Parts  
List

# Parts List, Form No. 101766, Back sheet 1 of 1

---

<b>Item No.</b>	<b>Part No.</b>	<b>No. Req'd</b>	<b>Description</b>
1	<b>9798</b>	1	Hose Half Coupler
2	<b>9059</b>	1	Pressure Gauge
3	<b>9670</b>	1	Tee Adapter
4	<b>P55</b>	1	Hand Pump Assembly (Single-Stage)
5	<b>9767</b>	1	Hydraulic Hose 6'
6	<b>1080</b>	1	Hydraulic Puller (50 ton; 3 jaw)
7	<b>50449</b>	1	2-way Head (For 1080)
8	<b>1128</b>	1	Bearing Pulling Attachment
9	<b>1076</b>	1	Push-puller (50 ton with 24" legs)
10	<b>RT503</b>	1	Twin Cylinder With Threaded Insert (50 ton)
11	<b>29595</b>	1	Speed Crank (For 1080)
12	<b>34755</b>	1	Pushing Adapter (For 1080)
13	<b>28230</b>	1	Cylinder Cap (For 1076)
14	<b>32698</b>	1	Adjusting Screw (For 1080)
15	<b>8028</b>	1	Male/Female Threaded Adapter (1 5/8 - 5 1/2 F X 1" - 8 M)
16	<b>8029</b>	1	Male/Female Threaded Adapter (1 5/8 - 5 1/2 F X 1" - 14 M)
17	<b>8024</b>	2	Male/Female Threaded Adapter (1 1/4 - 12 F X 1 3/4 - 12 M)
18	<b>1113</b>	1 pr.	Puller Legs (34"; For 1076)

