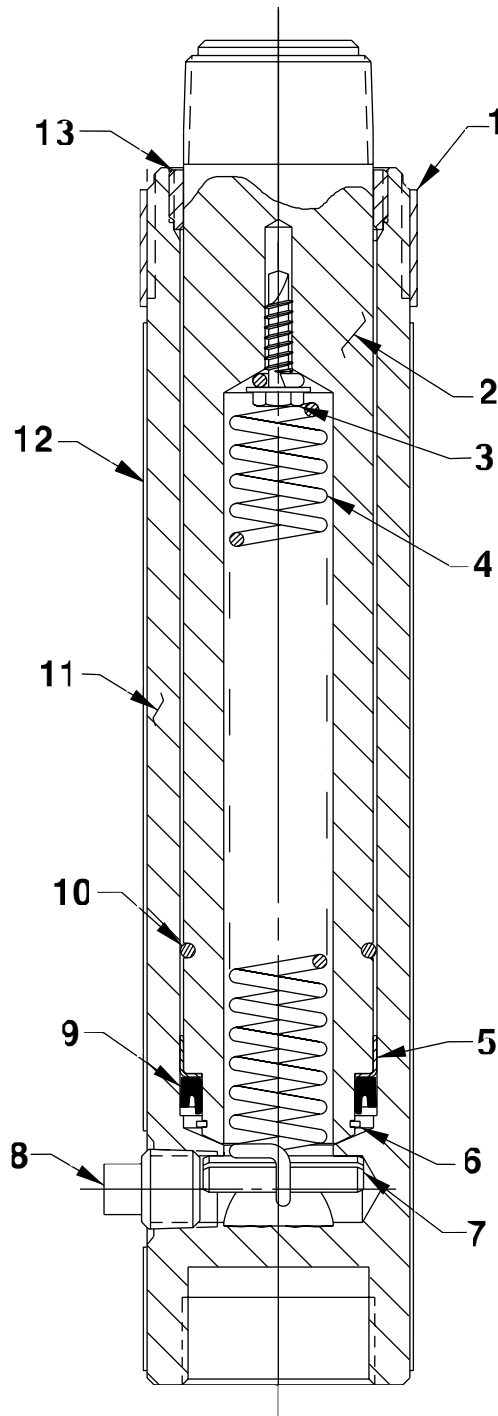


SINGLE-ACTING, SPRING RETURN HYDRAULIC CYLINDER

Maximum Capacity: 10 Ton At 8,950 PSI



Item No.	Part No.	No. Req'd	Description
1	252346	1	Thread Protector
2	421425	1	Piston Rod (For 421433)
	421380	1	Piston Rod (For 421381)
3	252345	1	Cap Screw (1/4-20 UNC x 1" Lg.)
4	252417	1	Extension Spring (For 421433)
	252342	1	Extension Spring (For 421381)
5	252341	1	Bushing
6	252393	1	Key Ring
7	11538	1	Roll Pin (5/16 dia. x 1-3/8 Lg.)
8	11127	1	Plug Fitting (3/8 NPTF)
9	252344	1	U-cup
10	252399	1	Retaining Ring
11	421424	1	Cylinder Body (For 421433)
	421378	1	Cylinder Body (For 421381)
12	421432	1	Complete Coverage Decal (For 421433)
	421422	1	Complete Coverage Decal (For 421381)
13	351354	1	Retainer Nut



Refer to any operating instructions included with this product for detailed information about operation, testing, disassembly, reassembly, and preventive maintenance.

Items found in this parts list have been carefully tested and selected. **Therefore: Use only genuine Power Team replacement parts!**

Additional questions can be directed to our Technical Services Department.