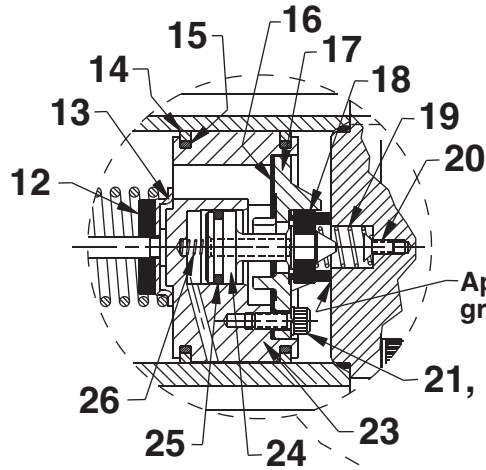
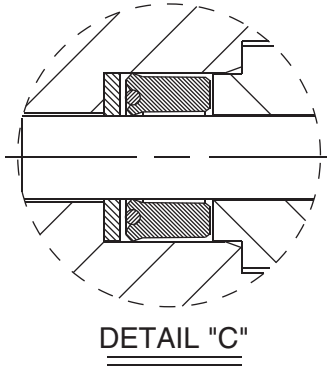
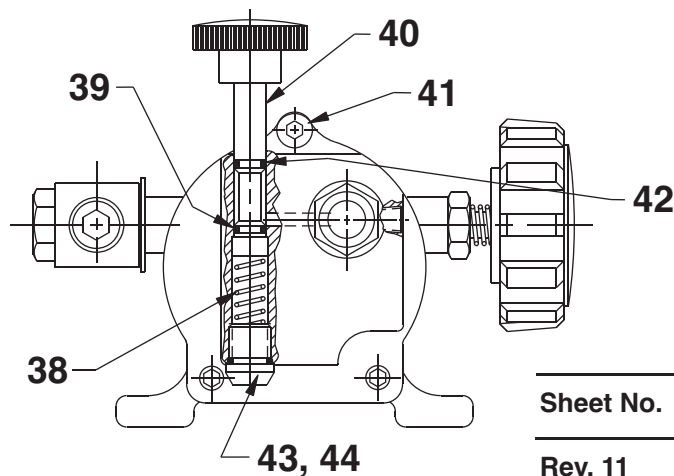
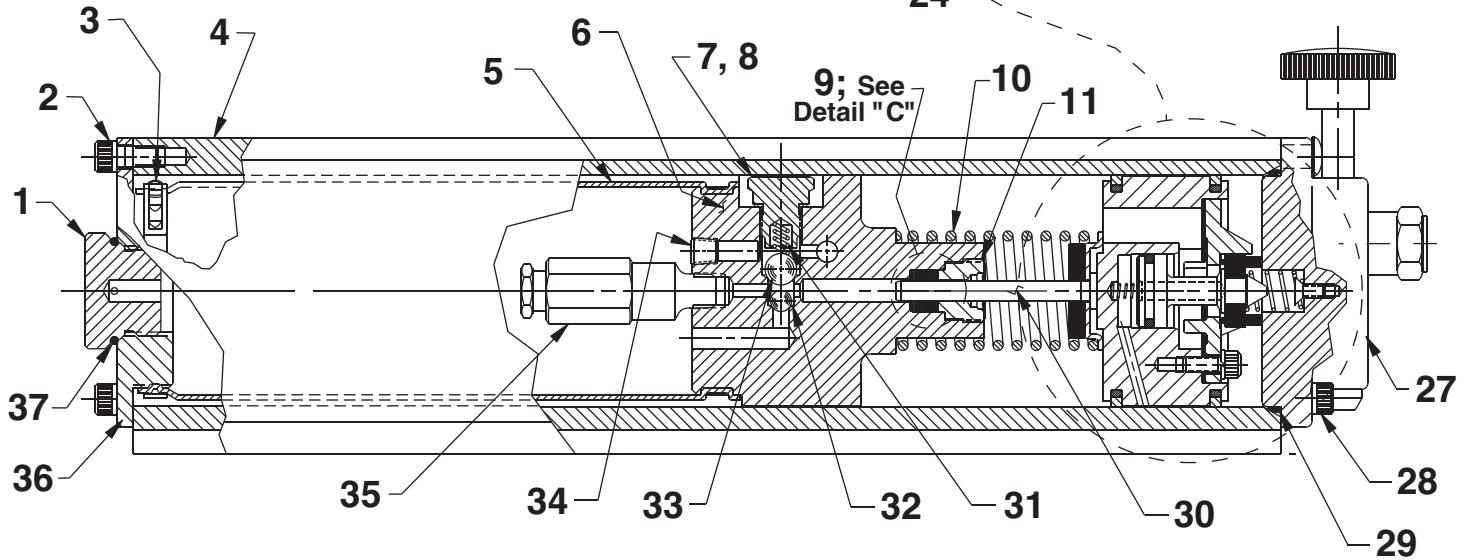


## MODEL B AIR/HYDRAULIC PUMP TUBE STYLE



To Parts List

Apply a small amount of grease to bottom of bumper



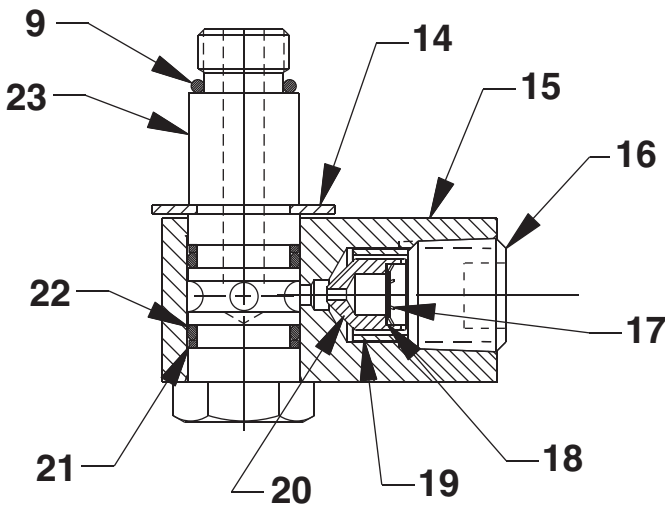
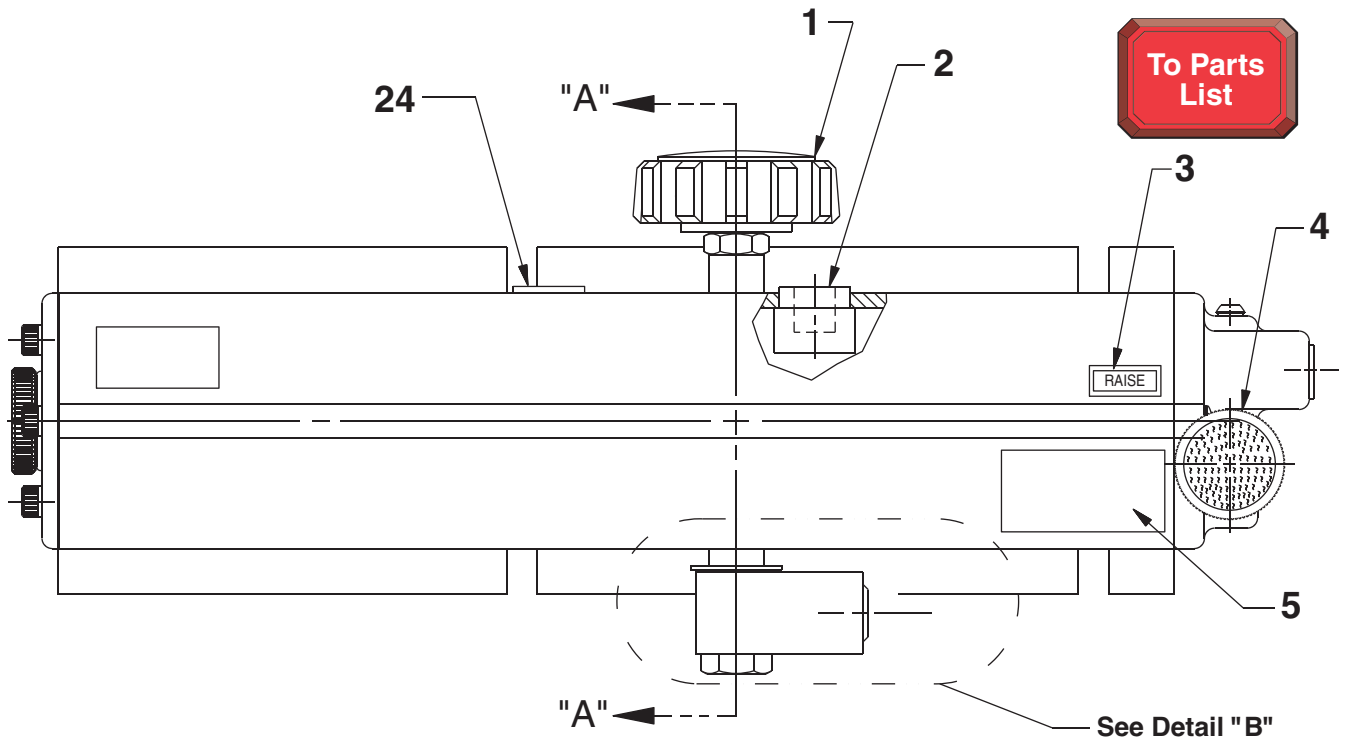
# Parts List, Form No. 101789, Back sheet 1 of 2

Item No.	Part No.	No. Req'd	Description
1	<b>252298</b>	1	Filler Plug
2	<b>10807</b>	3	Screw (1/4-20 UNC x 1/2 Lg.; Torque to 60/80 in. lbs.)
3	<b>*252303</b>	2	Clamp
4	<b>65470</b>	1	Pump Housing
5	<b>*421332-7125</b>	1	Bladder (Cut to 7.280 / 7.220 Lg.)
6	<b>65308</b>	1	Pump Body
7	<b>351394</b>	1	Valve Screw (1/2-20 x 7/8 Lg.; Torque to 380/400 in. lbs.)
8	<b>*14874</b>	1	Copper Washer (.700 x 1/2 x 1/32)
9	<b>*13934</b>	1	U-cup & Backup
10	<b>13938</b>	1	Compression Spring (1.452 O.D. x 4-7/16 Lg.)
11	<b>*304295</b>	1	Retainer (NOTE: See "INSTRUCTIONS FOR RETAINER REPLACEMENT" on back sheet 2 of 2.)
12	<b>*203143</b>	1	Bumper
13	<b>210994</b>	1	Spring Guide
14	<b>*14265</b>	2	Piston Ring (2.77 x 2.54)
15	<b>*251835</b>	2	O-ring (2-5/16 x 2-1/8 x 3/32)
16	<b>*28239</b>	1	Gasket
17	<b>33822</b>	1	Piston End Plate Casting
18	<b>*28183</b>	1	Piston Poppet
19	<b>*205679</b>	1	Compression Spring (.485 O.D. x .915 Lg.)
20	<b>205674</b>	1	Flat Hd. Screw (8-32 x 3/8; Torque to 12/18 in. lbs.)
21	<b>211054</b>	3	Soc. Hd. Screw (10-24 x 1/2; Torque to 50/55 in. lbs.)
22	<b>*10241</b>	3	Lockwasher (.33 x .20)
23	<b>52390</b>	1	Piston Body
24	<b>305475</b>	1	Exhaust Valve System
25	<b>*211052</b>	1	O-ring (.900 x .706 x .097)
26	<b>*12692</b>	1	Compression Spring (3/16 O.D. x 1-11/16 Lg.)
27	<b>58901</b>	1	Rear Head
28	<b>10008</b>	2	Screw (1/4-20 UNC x 3/4 Lg.; Torque to 120/140 in. lbs.)
29	<b>*252349</b>	1	O-ring (2.75 x 2.65)
30	<b>28226</b>	1	Piston (1/4")
31	<b>*10444</b>	1	Compression Spring (3/16 O.D. x 13/32 Lg.)
32	<b>*10375</b>	1	Steel Ball (1/4" Dia.)
33	<b>*10378</b>	1	Steel Ball (3/8" Dia.; Seat at assembly)
34	<b>11084</b>	1	Plug Fitting (1/16 NPTF)
35	<b>21278-50</b>	1	Relief Valve (Set at 5,400 to 5,700 PSI)
36	<b>351409</b>	1	End Filler Cap
37	<b>*16684</b>	1	O-ring (1-3/16 x 1" x 3/32)
38	<b>253479</b>	1	Compression Spring (3/8 O.D. x 1" Lg.)
39	<b>*12522</b>	1	O-ring (3/8 x 1/4 x 1/16; Urethane; Apply a small amount of grease at assembly.)
40	<b>351345</b>	1	Valve Stem
41	<b>250383</b>	1	Screw (1/4-20 x 3/4 Lg.)
42	<b>*12557</b>	1	O-ring (.34 x .21 Nitrile; Apply a small amount of grease at assembly.)
43	<b>250258</b>	1	Screw (1/2-13 UNC x 1/2 Lg.; Apply Loctite 277 or equiv. Cure one hour before testing.)
44	<b>15279</b>	1	O-ring (.50 x .37 Nitrile)

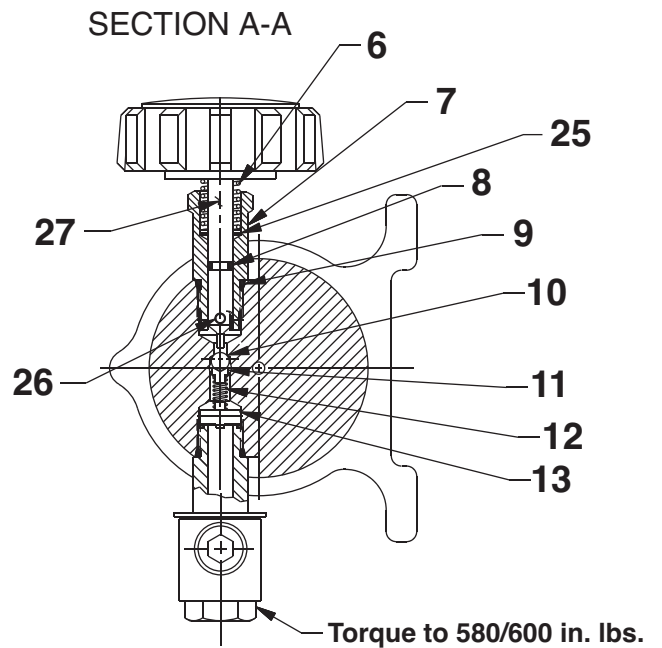
Part numbers marked with an asterisk (\*) are contained in Repair Kit No. 300938.



TOP VIEW



DETAIL "B"  
Scale = 2X



Item No.	Part No.	No. Req'd	Description	Item No.	Part No.	No. Req'd	Description
1	351368	1	Knob	13	252445	1	Bushing
2	*252300	2	Muffler	14	11902	1	Retaining Ring
3	253293	1	Decal (Raise portion of decal)	15	351385	1	Swivel Block
4	351346	1	Knob	16	16232	1	Plug Fitting (3/8 NPTF)
5	14350	1	Warning Decal	17	*214596	1	Filter Disc
6	253223	1	Compression Spring (1/2 O.D. x 1" Lg.)	18	*12201	1	Retaining Ring
7	351413	1	Pivot Cam (Torque to 280/300 in. lbs.)	19	253643	1	Poppet Retainer
8	*10265	1	O-ring (5/16 x 3/16 x 1/16)	20	251966	1	Poppet
9	*10300	2	O-ring (5/8 x 15/32 x 5/64)	21	*12391	2	Backup Washer (11/16 x 9/16 x .048)
10	*10374	1	Steel Ball (7/32" Dia.; Seat at assembly)	22	*11284	2	O-ring (11/16 x 9/16 x 1/16)
11	252856	1	Ball Guide	23	351573	1	Swivel Fitting
12	*14282	1	Compression Spring (.18 O.D. x 1/2 Lg.)	24	253293	1	Decal (Lower portion of decal)
				25	253663	2	Washer
				26	10796	1	Dowel Pin
				27	252535	1	Release Pin

Part numbers marked with an asterisk (\*) are contained in Repair Kit No. 300938.



## INSTRUCTIONS FOR RETAINER REPLACEMENT

Your pump's retainer is locked into place by one of the two following methods. Determine which method was used on your pump's retainer, then follow the appropriate steps to remove the old and install and stake the new.

### Method 1 - Retainer shows no sign of stake marks

1. This retainer has been locked in place with a Loctite product. To replace it, a moderate amount of heat needs to be applied to the cylinder nut (in the area of the retainer) to soften the existing Loctite allowing it to be removed.
2. Install the new retainer into the cylinder nut and torque to 80/100 in. lbs. **Note: Do not use a Loctite product this time but stake the new retainer in place according to instructions in Step 3.**
3. To lock retainer into place, use a center punch positioned in the seam between the retainer and the cylinder nut and stake the new retainer in two places approximately 180° apart.

### Method 2 - Retainer has two stake marks in the seam between the retainer and the cylinder nut

1. For replacement of this retainer, the stake marks must be removed. Using a 1/8" or larger diameter drill bit, remove the existing stakes by drilling a short distance into the stake marks. Remove the retainer.
2. Install the new retainer into the cylinder nut and torque to 80/100 in. lbs.
3. To lock retainer into place, use a center punch positioned in the seam between the retainer and the cylinder nut and stake the new retainer in two places approximately 180° apart.

**NOTE: Do not stake in the old stake marks.**