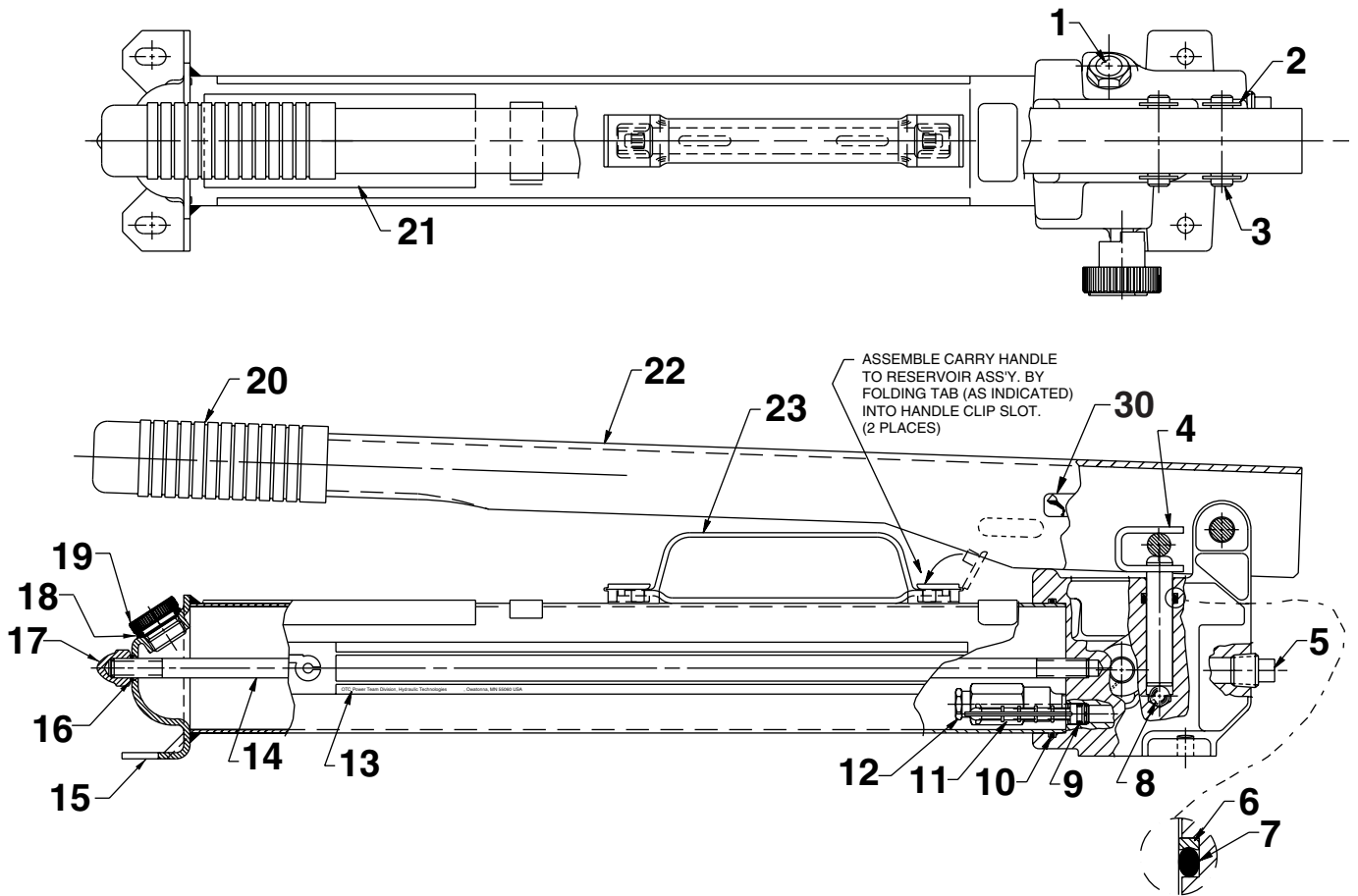


**Parts List for:**

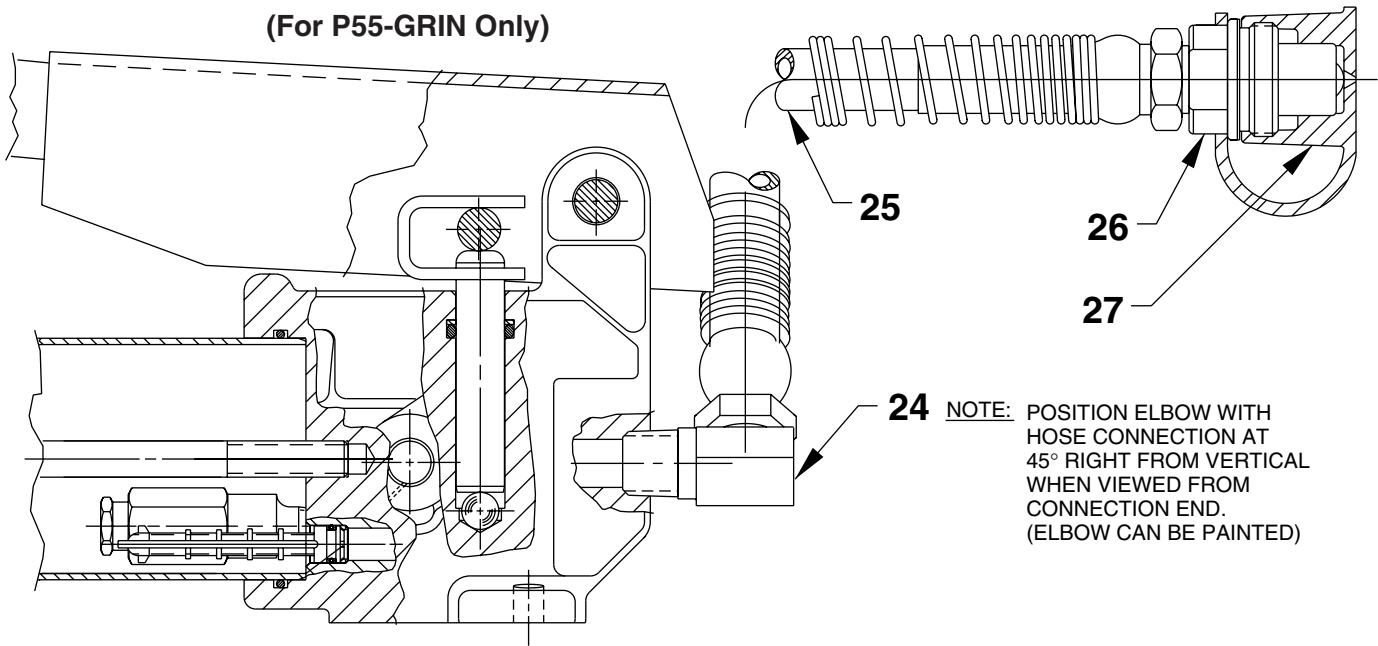
62087	P55-GL	P55-SAUER
70124-D1 (P55- DE-STA-CO)	P55-GRIN	P55-TUX
P55 Series	P55-GRIN-WG	P55-VL
P55-CABLE	P55-LEE	P55-WMC-BK
P55-FPT	P55-PFAFF	P55-WMC-BL
	P55S	P55-WMC-RE

**MODEL B  
HYDRAULIC HAND PUMP  
SINGLE STAGE**

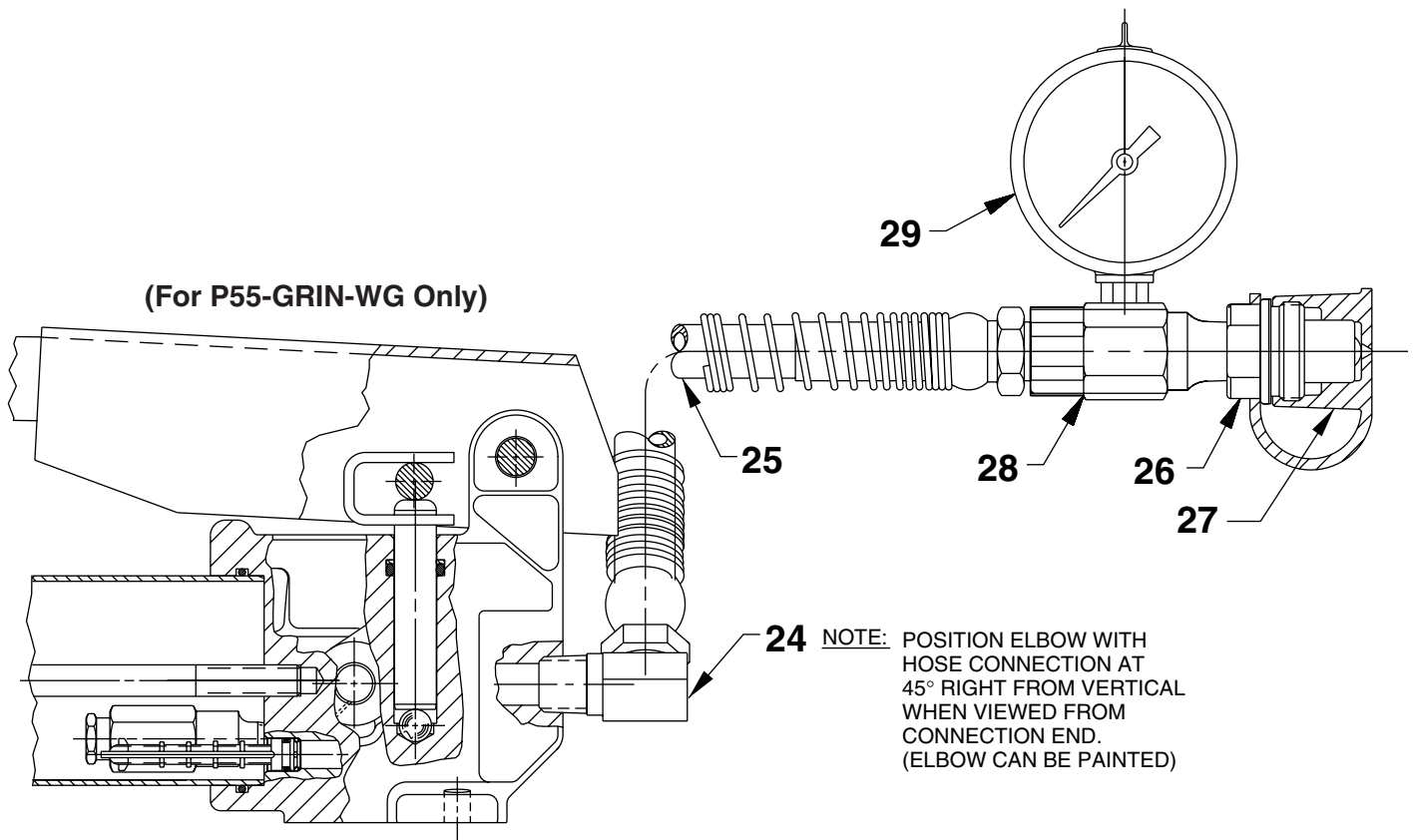


Note: Shaded areas reflect last revision(s) made to this form.

(For P55-GRIN Only)



(For P55-GRIN-WG Only)



**Parts List**

**Form No. 101804**

Item No.	Part No.	No. Req'd	Description	Item No.	Part No.	No. Req'd	Description
1	215907	1	Decal (DO NOT REMOVE)	15	351367	1	Reservoir Assembly (For P55, P55-CABLE, P55-PFAFF, P55-SAUER, P55-FPT, P55-TUX, P55-WMC-BK, P55-WMC-BL & P55-WMC-RE)
2	211743	4	Retaining Ring (7/16" shaft)		351395	1	Reservoir Assembly (For P55S)
3	211742	2	Pin		421393	1	Reservoir Assembly (For 62087, P55-GRIN, & P55-GRIN-WG)
4	211468	1	Piston Assembly (For all except P55-CABLE, P55-LEE & P55-TUX)		421394	1	Reservoir Assembly (For 70124-D1 [P55-DE-STA-CO] & P55-GL)
	211470	1	Piston Assembly (For P55-CABLE, P55-LEE & P55-TUX)		421450	1	Reservoir Assembly (For P55-VL)
5	11127	1	Pressure Plug (For all except P55-GRIN & P55-GRIN-WG)	16	13943	1	O-ring (1/2 X 3/8 X 1/16)
6	*213987	1	Backup Washer (11/16 x 1/2 x 3/64)		11439	1	Viton O-ring
7	*10271	1	O-ring (11/16 x 1/2 x 3/32)		17716	1	EPR O-ring
	11445	1	Viton O-ring	17	10842	1	Acorn Nut (Torque to 90/110 in. lbs. Fully engage acorn nut onto tie rod before torquing to body.; For all except P55-LEE)
	19406	1	EPR O-ring				
8	*10378	1	Steel Ball (3/8 dia.)	18	10274	1	O-ring (.87 x .68; Nitrile)
9	*12557	1	O-ring (11/32 x 7/32 x 1/16)		253597	1	Viton O-ring
	18973	1	Viton O-ring		253598	1	EPR O-ring
	215375	1	EPR O-ring	19	351245	1	Filler Cap (For all except P55-LEE)
10	*211495	1	O-ring (2-11/16 x 2-1/2 x 3/32)	20	211769	1	Handle Grip (For all except P55-GRIN & P55-GRIN-WG)
	213209	1	Viton O-ring		206731	1	Handle Grip (For P55-GRIN & P55-GRIN-WG)
	215369	1	EPR O-ring	21	*305977	1	Warning Decal (For all except 70124-D1 [P55-DE-STA-CO], P55-LEE, P55-PFAFF & P55-SAUER)
11	*215075	1	Filter Plug		305977-CE	1	Warning Decal (For 70124-D1 [P55-DE-STA-CO], P55-PFAFF & P55-SAUER)
12	21278	1	Relief Valve (Set at 10,100/10,700 PSI; For P55, P55-CABLE, P55S, P55-PFAFF, P55-SAUER P55-TUX & P55-WMC-BK)		307329	1	Warning Decal (For P55-GRIN & P55-GRIN-WG)
	21278-20	1	Relief Valve (Set at 1,900/2,200 PSI; For P55-LEE)	22	61287BL2	1	Handle (For P55-SAUER)
	21278-25	1	Relief Valve (Set at 2,300/2,700 PSI; For P55-FPT)		61287GY6	1	Handle (For P55-CABLE, P55-LEE & P55-PFAFF)
	21278-28	1	Relief Valve (Set at 2,700/3,000 PSI; For P55-GL)		61287OR9	1	Handle (For P55 & P55-FPT)
	21278-48	1	Relief Valve (Set at 4,900/5,300 PSI; For P55-GRIN & P55-GRIN-WG)		61287PR2	1	Handle (For P55-TUX)
	21278-50	1	Relief Valve (Set at 5,100/5,700 PSI; For 70124-D1 [P55-DE-STA-CO])		61287PR3	1	Handle (For P55-VL)
	21278-52	1	Relief Valve (Set at 5,300/5,900 PSI; For P55WMC-RE)		46953YE3	1	Handle (For 62087)
	21278-80	1	Relief Valve (Set at 8,100/8,700 PSI; For 62087)		46919	1	Handle (For P55S)
	21278-86	1	Relief Valve (Set at 8,700/9,300 PSI; For P55-WMC-BL)		64117BK2	1	Handle (For P55-WMC-BK)
	21278-112	1	Relief Valve (Set at 11,350/11,950 PSI; For P55-VL)		64117BL2	1	Handle (For P55-WMC-BL)
					64117RE3	1	Handle (For P55-WMC-RE)
13	360054	1	Trade Name Decal (For P55 & P55-CABLE)		46953GY8	1	Handle (For 70124-D1 [P55-DE-STA-CO])
	252186	1	Trade Name Decal (For P55-PFAFF)		46953OR9	1	Handle (For P55-GL)
14	252502	1	Tie Rod (For P55, P55-CABLE, P55-PFAFF, P55-SAUER, P55-WMC-BK, P55-FPT, P55-TUX, P55-WMC-BL & P55-WMC-RE)		420294OR9	1	Handle (For P55-GRIN & P55-GRIN-WG)
	252324	1	Tie Rod (For P55-VL)	23	58048	1	Carry Handle (For P55, P55-CABLE, P55-PFAFF, P55-SAUER, P55-TUX, P55-WMC-BK, P55-FPT, P55-WMC-BL & P55-WMC-RE)
	252326	1	Tie Rod (For 62087, 70124-D1 [P55-DE-STA-CO] & P55-GL)	24	9681	1	90° Elbow Fitting (For P55-GRIN & P55-GRIN-WG)
	252327	1	Tie Rod (For P55-GRIN & P55-GRIN-WG)	25	36890	1	Hydraulic Hose (For P55-GRIN & P55-GRIN-WG)
	252329	1	Tie Rod (For P55S)				

**Continued-**

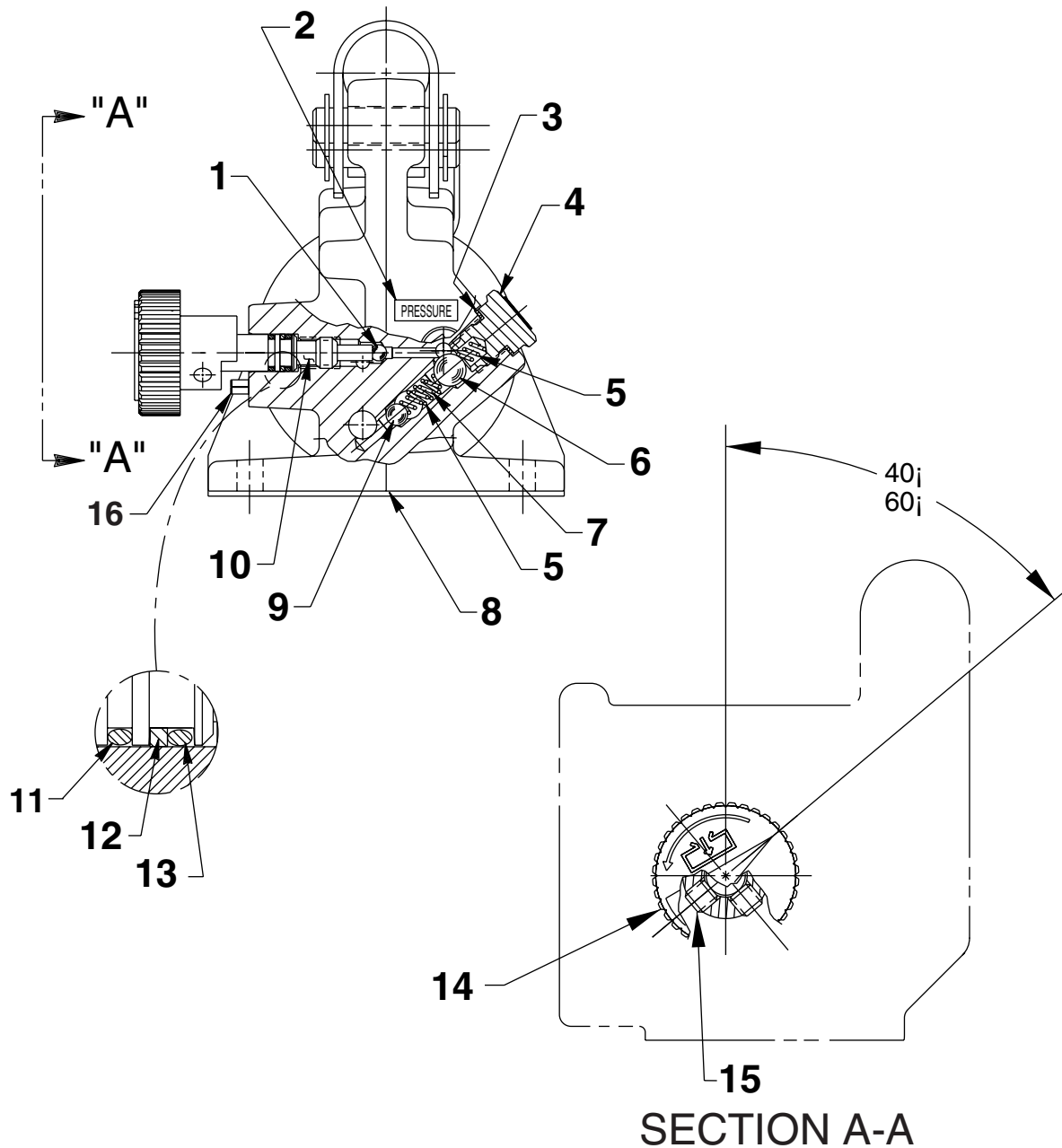
# Parts List, Form No. 101804, Back sheet 2 of 3

Item No.	Part No.	No. Req'd	Description
26	25599	1	Quick Coupler (For P55-GRIN & P55-GRIN-WG)
27	9800	1	Dust Cap (For P55-GRIN & P55-GRIN-WG)
28	9670	1	Tee Fitting (For P55-GRIN-WG)
29	17946	1	Gauge (0-6,000 PSI; 2-1/2" dia.; For P55-GRIN-WG)
30	253234	1	Decal (Oil pivot pins)

Item No.	Part No.	No. Req'd	Description
<b>PARTS INCLUDED BUT NOT SHOWN</b>			
	•205724	1	Decal (Viton Seals)
	250328	1	Decal (EPR Seals)
	307066	1	Handle Retainer (For P55S, P55-VL, & P55-FPT)
	214904	1	Fill Level Decal (For 62087 & P55-GL)

Part numbers marked with an asterisk (\*) are contained in Repair Kit No. 300943.  
 Part numbers marked with a bullet (•) are contained in Viton Seal Kit No. 300472.

## END VIEW AND SECTION A-A



Item No.	Part No.	No. Req'd	Description
1	*12223	1	Ball (3/16 dia.)
2	215301	1	Decal (Pressure; For all except P55-PFAFF)
	252247	1	Decal (Pressure; For P55-PFAFF)
3	*14874	1	Copper Washer (1/2" bolt)
4	351952	1	Valve Screw (Torque to 350/370 in. lbs.)
5	*10444	2	Compression Spring (3/16 I.D. x 13/32 Lg.)
6	*10378	1	Steel Ball (3/8 dia.)
7	*211797	1	Compression Spring (5/32 O.D. x 5/8 Lg.)
8	61295	1	Pump Body (Includes pin [Item #16].)
9	*10375	1	Steel Ball (1/4 dia.)
10	350185	1	Release Valve Screw (When ordering this part number, also order Item #11, a nylon ball included in the Repair Kit.)
11	14763	1	O-ring (.43 x .31; Urethane)
12	*•15085	1	Backup Washer (7/16 x 5/16 x 3/64 Thk.)
13	*10267	1	O-ring (7/16 x 5/16 x 1/16)
	•18974	1	Viton O-ring
	13472	1	EPR O-ring
14	351087	1	Release Valve Knob (Note: Screw in valve stem until seated (bottomed out). Then position knob as shown with knob bottomed out on valve stem. Lock in place with screw [Item #15]).
15	10556	1 or 2	Set Screw (Torque to 50/70 in. lbs.)
16	10714	1	Slotted Spring Pin (Included with pump body [Item #8].)

Part numbers marked with an asterisk (\*) are contained in Repair Kit No. 300943.  
Part numbers marked with a bullet (•) are contained in Viton Seal Kit No. 300472.

Refer to any operating instructions included with this product for detailed information about operation, testing, disassembly, reassembly, and preventive maintenance.

Items found in this parts list have been carefully tested and selected. **Therefore: Use only genuine Power Team replacement parts!**

Additional questions can be directed to our Technical Services Department.