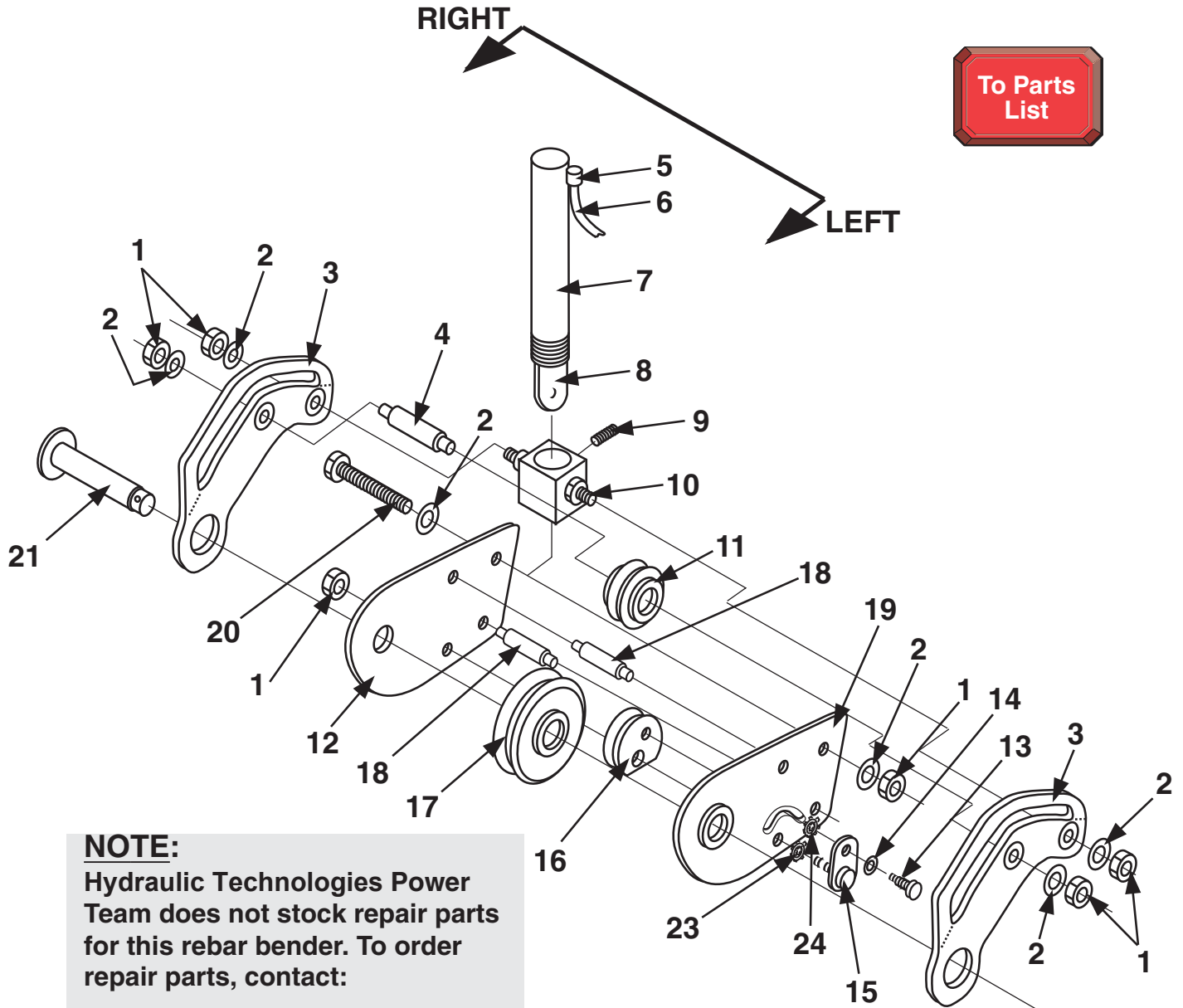


## REBAR BENDER GENERAL SECTION



**NOTE:**

Hydraulic Technologies Power Team does not stock repair parts for this rebar bender. To order repair parts, contact:

Crenshaw Die & Mfg. Corp. 17152  
Daimler St.  
Irvine, CA 92614  
Fax: 1-949-475-1909  
Telephone: 1-949-475-5505  
1-800-654-6295

<b>Item No.</b>	<b>Part No.</b>	<b>No. Req'd</b>	<b>Description</b>
1	-----	6	Locknut (5/8-18)
2	-----	6	Washer (5/8)
3	-----	1	Outside Plate (Right)
	-----	1	Outside Plate (Left)
4	-----	1	Central Shaft
5	-----	1	Street Elbow Fitting (3/8 NPTF)
6	-----	1	Rubber Hose (10 ft.)
7	-----	1	Cylinder (5 ton; 9-1/4 in. stroke; See Form No. 100597)
8	-----	1	Plunger Clevis
9	-----	1	Set Screw (5/16-24 X 1/4 Lg.; Includes nylon locking tip)
10	-----	1	Cylinder Trunion
11	-----	1	Upper Arm Roller
12	-----	1	Inside Side Plate Right Hand w/ Main Roller Bushing
13	-----	1	Cap Screw (1/2-20 X 1-1/4 Lg.)
14	-----	1	Washer (1/2 in.)
15	-----	1	Stop Bolt Assembly
16	-----	1	Adjustable Stop
17	-----	1	Main Roller
18	-----	2	Inside Plate Spacer
19	-----	1	Inside Side Plate Left Hand w/ Main Roller Bushing
20	-----	1	Cap Screw (8-5/8-18 X 2-1/2 Lg.)
21	-----	1	Main Roller Shaft (Includes ball plunger)
23	-----	1	External Lockwasher (5/8 in.)
24	-----	1	External Lockwasher (1/2 in.)



**NOTE:**

**Hydraulic Technologies Power Team does not stock repair parts for this rebar bender. To order repair parts, contact:**

**Crenshaw Die & Mfg. Corp. 17152  
Daimler St.  
Irvine, CA 92614  
Fax: 1-949-475-1909  
Telephone: 1-949-475-5505  
1-800-654-6295**