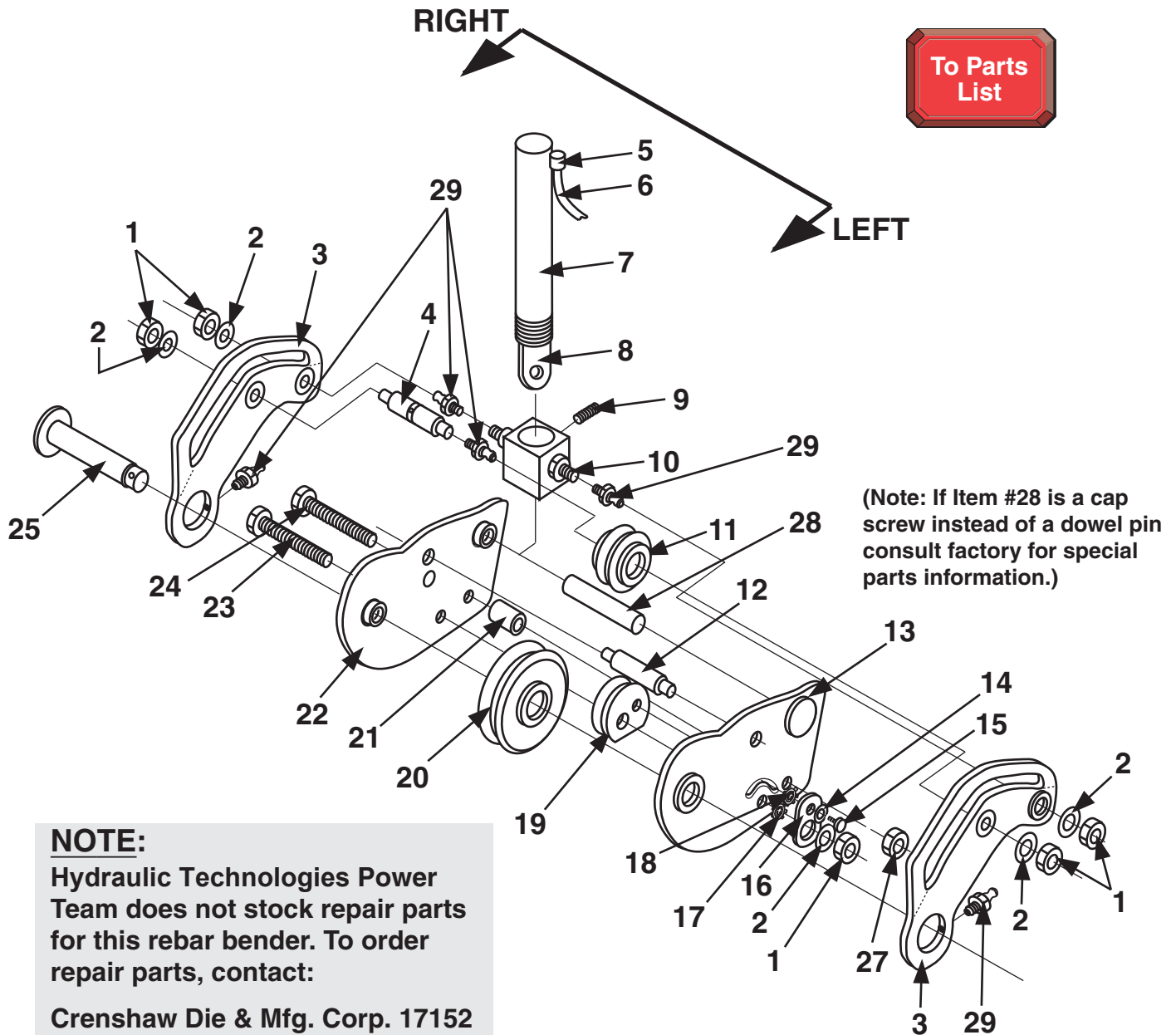


**REBAR BENDER**  
GENERAL SECTION



**NOTE:**

Hydraulic Technologies Power Team does not stock repair parts for this rebar bender. To order repair parts, contact:

Crenshaw Die & Mfg. Corp. 17152  
Daimler St.  
Irvine, CA 92614  
Fax: 1-949-475-1909  
Telephone: 1-949-475-5505  
1-800-654-6295

# Parts List, Form No. 101836, Back sheet 1 of 1

Item No.	Part No.	No. Req'd	Description
1	-----	5	Locknut (7/8-14)
2	-----	5	Washer (7/8)
3	-----	1	Outside Plate (Right)
	-----	1	Outside Plate (Left)
4	-----	1	Central Shaft
5	-----	1	Street Elbow Fitting (3/8 NPTF)
6	-----	1	Rubber Hose (10 ft.)
7	-----	1	Cylinder (10 ton; 12-1/8 in. stroke; See Form No. 101465)
8	-----	1	Plunger Clevis
9	-----	1	Set Screw (5/16-24 X 1/4 Lg.)
10	-----	1	Cylinder Trunion
11	-----	1	Upper Arm Roller
12	-----	1	Spacer
13	-----	1	Inside Side Plate Left Hand w/ Main Roller Bushing
14	-----	1	Washer (1/2 in.)
15	-----	1	Hex Cap Screw (1/2-20 X 1-1/4 Lg.)
16	-----	1	Stop Bolt Washer
17	-----	1	External Lockwasher (7/8 in.)
18	-----	1	External Lockwasher (1/2 in.)
19	-----	1	Adjustable Stop
20	-----	1	Main Roller
21	-----	1	Inside Plate Spacer
22	-----	1	Inside Side Plate Right Hand w/ Main Roller Bushing
23	-----	1	Hex Cap Screw (7/8-14 X 3-1/4 Lg.)
24	-----	1	Hex Cap Screw (1/2-20 X 2-3/4 Lg.)
25	-----	1	Main Roller Shaft (Includes ball plunger)
27	-----	1	Locknut (1/2-20)
28	-----	1	Dowel Pin (7/8 in. dia X 2 in.)
29	-----	5	Grease Fitting (1/4-20)



**NOTE:**

**Hydraulic Technologies Power Team does not stock repair parts for this rebar bender. To order repair parts, contact:**

**Crenshaw Die & Mfg. Corp. 17152  
Daimler St.  
Irvine, CA 92614  
Fax: 1-949-475-1909  
Telephone: 1-949-475-5505  
1-800-654-6295**