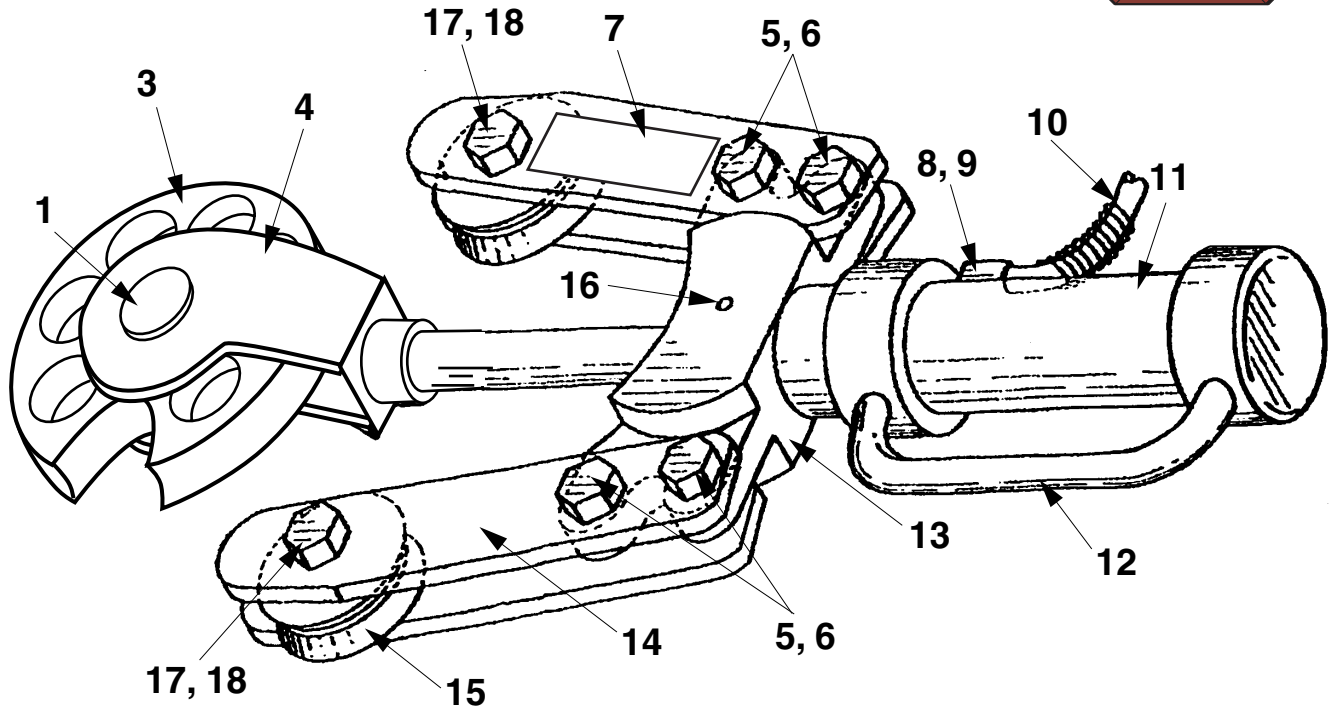


REBAR BENDER GENERAL SECTION



NOTE:

Hydraulic Technologies Power Team does not stock repair parts for this rebar bender. To order repair parts, contact:

Crenshaw Die & Mfg. Corp. 17152
Daimler St.
Irvine, CA 92614
Fax: 1-949-475-1909 Telephone:
1-949-475-550
1-800-654-6295

Item No.	Part No.	No. Req'd	Description
1	-----	1	Roller Pin
3	-----	1	Main Roller
4	-----	1	Puller Hook
5	-----	4	Locknut (3/4-16)
6	-----	4	Cap Screw (3/4-16 X 2-1/2)
7	-----	1	Decal
8	-----	1	Quick Complete Coupler
9	-----	1	90° Elbow Fitting (3/8 NPTF)
10	-----	1	Rubber Hose (10 ft.)
11	-----	1	Cylinder (5 Ton; 5-1/2 in. stroke; See Form No. 101290)
12	-----	1	Handle Assembly
13	-----	1	Cylinder Mount
14	-----	1	Puller Arm (Left & Right)
15	-----	2	Puller Arm Roller
16	-----	1	Set Screw (5/16-24 X 1/4 Lg.; Nylon Locking Tip Included)
17	-----	2	Cap Screw (3/4-16 X 2-1/2 Lg.; Long Shank)
18	-----	2	Jam Nut (3/4-16)



NOTE:

Hydraulic Technologies Power Team does not stock repair parts for this rebar bender. To order repair parts, contact:

**Crenshaw Die & Mfg. Corp. 17152
Daimler St.
Irvine, CA 92614
Fax: 1-949-475-1909 Telephone:
1-949-475-5505
1-800-654-6295**