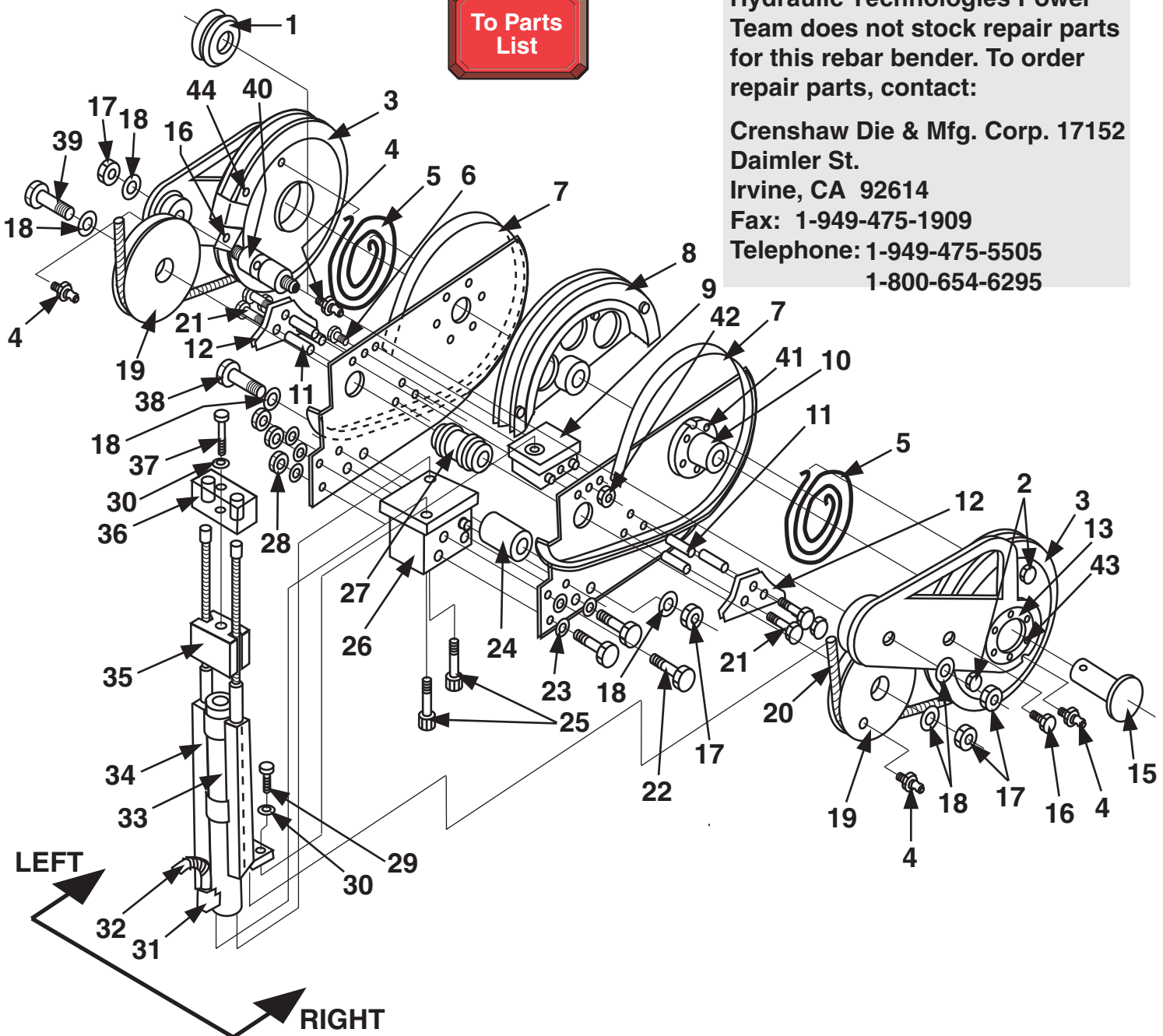


REBAR BENDER GENERAL SECTION

To Parts List

NOTE:
Hydraulic Technologies Power Team does not stock repair parts for this rebar bender. To order repair parts, contact:
Crenshaw Die & Mfg. Corp. 17152 Daimler St. Irvine, CA 92614
Fax: 1-949-475-1909
Telephone: 1-949-475-5505
1-800-654-6295



Parts List, Form No. 101842, Back sheet 1 of 1

Item No.	Part No.	No. Req'd	Description
1	-----	1	Top Roller
2	-----	2	Hex Cap Screw (1/4-20 X 1" Lg.)
3	-----	1	Outside Side Plates (Right)
	-----	1	Outside Side Plates (Left)
4	-----	5	Grease Fitting (1/4-20)
5	-----	2	Coil Spring
6	-----	1	Hex Cap Screw (3/8-24 X 2-1/2 Lg.)
7	-----	1	Inside Side Guide Plate (Right)
	-----	1	Inside Side Guide Plate (Left)
8	-----	1	Half Main Wheel (Dowel pins included)
9	-----	1	Ram Support and Center Spacer (Dowel pins included)
10	-----	2	Inside Main Plate Pulley Bushing
11	-----	6	Spacer
12	-----	1	Side Guard (Right)
	-----	1	Side Guard (Left)
13	-----	1	Main Pulley Bushing (Right)
	-----	1	Main Pulley Bushing (Left)
15	-----	1	Main Wheel Pin (Includes ball plunger)
16	-----	4	Hex Cap Screw (5/16-24 X 1" Lg.)
17	-----	4	Locknut (7/8-14)
18	-----	4	Washer (7/8 in.)
19	-----	2	Front Pulley
20	-----	2	Cable (45-1/2 in. Lg.)
21	-----	6	Hex Cap Screw (1/4-20 X 1-1/4 Lg.)
22	-----	3	Hex Cap Screw (3/8-24 X 2-3/4 Lg.)
23	-----	6	Washer (3/8 in.)
24	-----	1	Bar Stop Bushing
25	-----	2	Soc. Hd. Cap Screw (5/16-18 X 3-1/2 Lg.)
26	-----	1	Ram Pad and Center Support (Dowel pin included)
27	-----	1	Front Pulley Shaft
28	-----	3	Locknut (3/8-24)
29	-----	1	Hex Cap Screw (1/2-20 X 1" Lg.)
30	-----	2	Washer (1/2 in.)
31	-----	1	Street Elbow Fitting (3/8 NPTF)
32	-----	1	Rubber Hose (10 Ft.)
33	-----	1	Cylinder (10 ton; 10-1/8 in. stroke; See Form No. 101465)
34	-----	1	Ram Tower
35	-----	1	Cable Guide Block
36	-----	1	Cable Stop Block
37	-----	1	Hex Cap Screw (1/2-20 X 2-3/4 Lg.)
38	-----	1	Hex Cap Screw (7/8-14 X 3-1/4 Lg.)
39	-----	1	Hex Cap Screw (7/8-14 X 5" Lg.)
40	-----	1	Top Roller Pin
41	-----	12	Flat Hd. Soc. Screw (1/4-28 X 3/4 Lg.)
42	-----	1	Jam Nut (3/8-24)
43	-----	12	Flat Hd. Soc. Screw (1/4-20 X 3/4 Lg.)
44	-----	2	Set Screw (3/8-24 x 3/4 Lg.)



NOTE:

Hydraulic Technologies Power Team does not stock repair parts for this rebar bender. To order repair parts, contact:

Crenshaw Die & Mfg. Corp. 17152 Daimler St.

Irvine, CA 92614

Fax: 1-949-475-1909 Telephone:

1-949-475-5500/800-654-6295