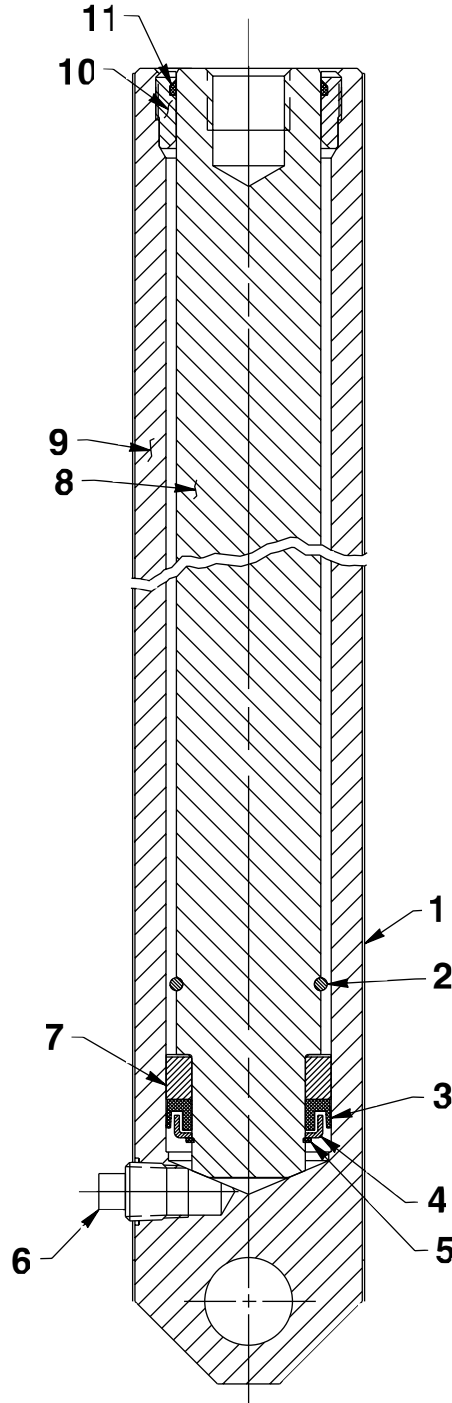


**SINGLE-ACTING, GRAVITY RETURN
HYDRAULIC CYLINDER**
Max. Capacity: 15.7 Tons at 10,000 PSI



Parts List, Form No. 101885, Back sheet 1 of 1

Item No.	Part No.	No. Req'd	Description
1	59035	1	Full Coverage Decal
2	212013	1	Retaining Ring
3	*212015	1	U-cup
4	212016	1	Slip Retainer
5	*211676	1	Retaining Ring
6	11127	1	Plug Fitting (3/8 NPTF)
7	212014	1	U-cup
8	59038	1	Piston Rod
9	59039	1	Cylinder Body
10	306248	1	Retainer Nut (Torque to 90/100 in. lbs.)
11	*212017	1	Rod Wiper

Part numbers marked with an asterisk (*) are contained in Standard Repair Kit No. 300453.



Refer to any operating instructions included with this product for detailed information about operation, testing, disassembly, reassembly, and preventive maintenance.

Items found in this parts list have been carefully tested and selected. **Therefore: Use only genuine Power Team replacement parts!**

Additional questions can be directed to our Technical Services Department.