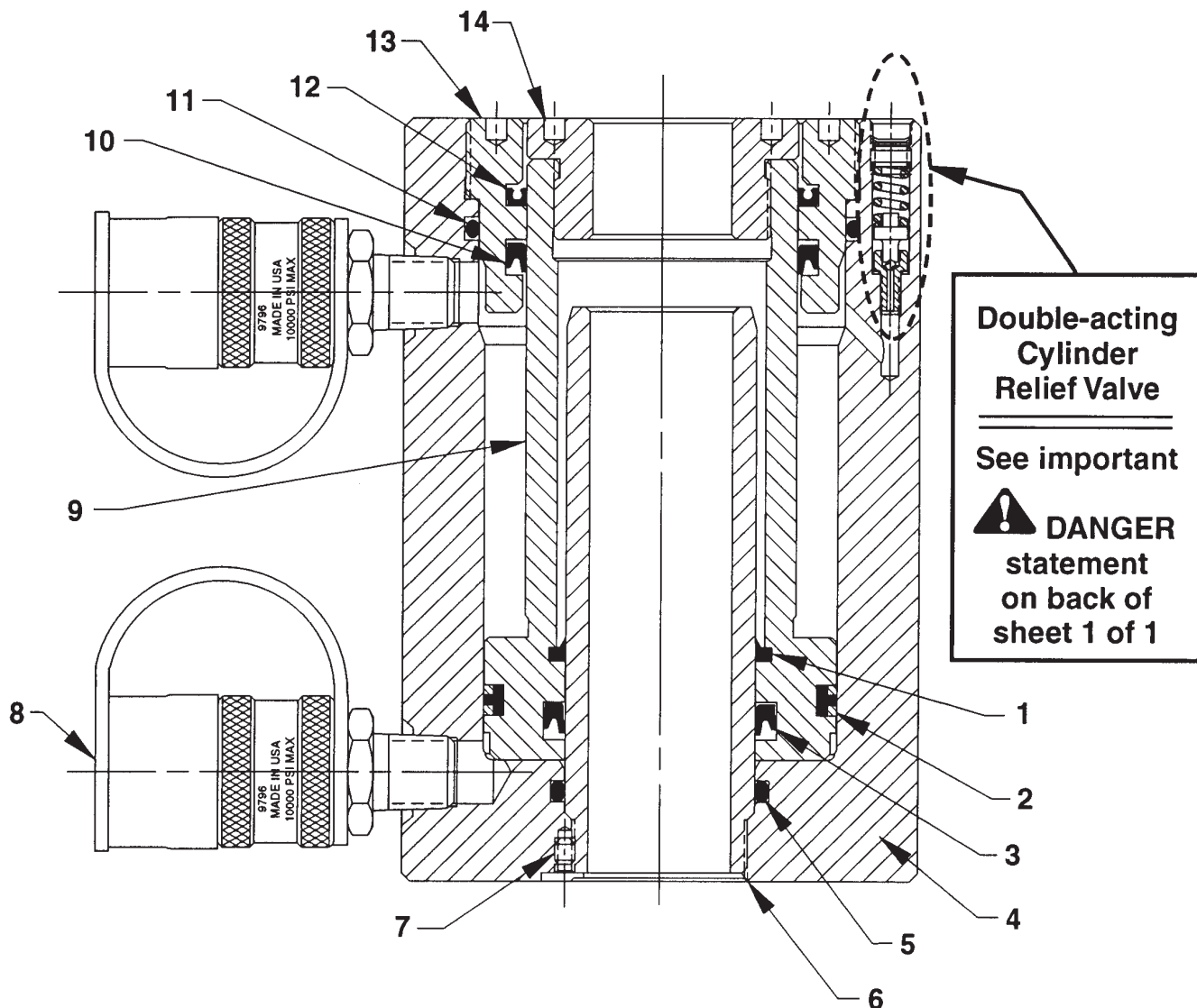


**MODEL C**  
**DOUBLE-ACTING, HOLLOW CENTER**  
**HYDRAULIC CYLINDER**  
Max. Capacity: 29.5 Ton at 10,000 PSI





**DANGER:** To help avoid possible serious personal injury or death,

- In the event that the cylinder retract port is ever restricted or plugged, a double-acting cylinder relief valve will help prevent excessive pressure from building in the cylinder. **DO NOT** attempt to adjust or service this relief valve! If oil leakage is detected from this relief valve, discontinue use of the cylinder immediately and contact **Power Team Technical Services**. Only a Power Team Authorized Hydraulic Service Center should service this relief valve.

Item No.	Part No.	No. Req'd	Description
1	*19591	1	Rod Wiper
	†206122	1	Rod Wiper
2	*14260	1	T-seal (Piston) & Backup Rings (Smooth side of Backup Ring must be against seal.)
	†19242	1	T-seal (Piston) & Backup Rings (Smooth side of Backup Ring must be against seal.)
3	*14258	1	U-cup
	†206143	1	U-cup
4	65826	1	Cylinder Body (For RH303 & RH303-PFAFF)
	65827	1	Cylinder Body (For RH303N)
5	†11447	1	O-ring (2" x 1-3/4)
6	351719	1	Standpipe (Note: Bottom out and back off [.01] 1/8 revolution before adding set screw [molycote all threads].)
7	251482	1	Set Screw (10-24 x 1/4 Lg.)
8	9796	2	Ram Half Coupler w/ Plastic Dust Cap
9	34132	1	Piston
10	*14259	1	U-cup
	†206144	1	U-cup
11	*14273	1	O-ring (3-5/8 X 3-3/8 X 1/8)
	†104581	1	O-ring (3-5/8 X 3-3/8 X 1/8)
12	*28656	1	U-cup (Wiper; Note: Remove o-ring energizer.)
	†253623	1	U-cup (Wiper; Note: Remove o-ring energizer.)
13	34133	1	Gland Nut
14	28643	1	Plain Insert

**PARTS INCLUDED BUT NOT SHOWN**

351720	1	Trade Name Decal (For RH303)
351733	1	Trade Name Decal (For RH303N)
*203908	1	Warning Decal
†19526	2	O-ring (1 X 3/4 X 1/8; For coupler)
†205724	1	Decal (Viton)
203908-CE	1	Warning Decal (For RH303-PFAFF)
252184	1	Trade Name Decal (For RH303-PFAFF)



Part numbers marked with an (\*) asterisk are contained in Standard Repair Kit No. 300077.

Part numbers marked with a dagger (†) are contained in Viton Seal Kit No. 300224.

Refer to any operating instructions included with this product for detailed information about operation, testing, disassembly, reassembly, and preventive maintenance.

Items found in this parts list have been carefully tested and selected. **Therefore: Use only genuine Power Team replacement parts!**

Additional questions can be directed to our Technical Services Department.

Note: Shaded areas reflect last revision(s) made to this form.