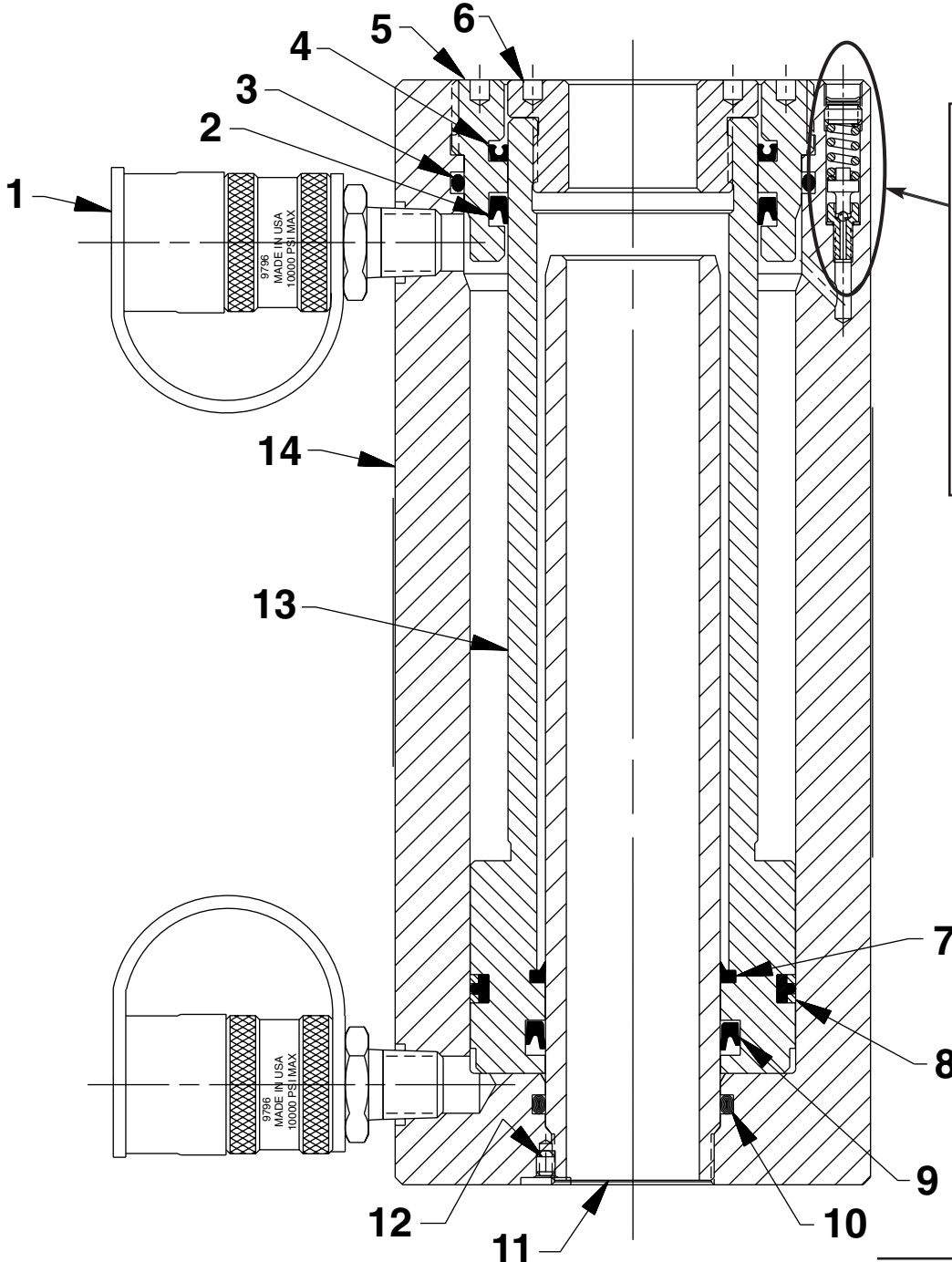


MODEL C
DOUBLE-ACTING, HOLLOW CENTER
HYDRAULIC CYLINDER
 Max. Capacity: 30 Tons (271,0 kN) at 10,000 PSI (700 Bar)



**Double-acting
 Cylinder
 Relief Valve**

See important
DANGER
 statement
 on back of
 sheet 1 of 1



DANGER: To help avoid possible serious personal injury or death,

- In the event that the cylinder retract port is ever restricted or plugged, a double-acting cylinder relief valve will help prevent excessive pressure from building in the cylinder. **DO NOT** attempt to adjust or service this relief valve! If oil leakage is detected from this relief valve, discontinue use of the cylinder immediately and contact Power Team Technical Services. Only Power Team Authorized Hydraulic Service Centers should service this relief valve.

Item No.	Part No.	No. Req'd	Description
1	9796	2	Coupler, Quick Cylinder Half
2	*14259	1	U-cup (2.88 x 2.50 x .31 H)
3	*14273	1	O-ring (3.62 x 3.37 Urethane)
	†104581	1	O-ring (3.62 x 3.37 Viton)
4	*28656	1	U-cup (2.88 x 2.50 x .19 H; Note: Remove o-ring energizer.)
	†253623	1	U-cup (2.88 x 2.50 x .19 H; Note: Remove o-ring energizer.)
5	34133	1	Nut, Gland (3-5/8-12)
6	28643	1	Insert, Plain
7	*19591	1	Wiper Rod (2.06 x 1.75 Urethane)
	†206122	1	Wiper Rod (2.06 x 1.75 Viton)
8	*251868	1	T-seal (3.25 x 2.88 x .27 L)
	†19242	1	T-seal (3.25 x 2.88 x .27 L)
9	*14258	1	U-cup (2.13 x 1.75 x .31 H)
	†206143	1	U-cup (2.13 x 1.75 x .19 H)
10	†*11447	1	O-ring (2.00 x 1.75 Viton)
11	351344	1	Standpipe
12	251482	1	Screw, Set (10-24 x 1/4)
13	421158	1	Rod, Piston
14	65336	1	Body, Cylinder

PARTS INCLUDED BUT NOT SHOWN

253171	1	Trade Name Decal
*203908	1	Warning Decal
†205724	1	Attention Decal



Part numbers marked with an (*) asterisk are contained in Standard Repair Kit No. 300822.

Part numbers marked with a dagger (†) are contained in Viton Seal Kit No. 300224.

Refer to any operating instructions included with this product for detailed information about operation, testing, disassembly, reassembly, and preventive maintenance.

Items found in this parts list have been carefully tested and selected. **Therefore: Use only genuine Power Team replacement parts!**

Additional questions can be directed to our Technical Services Department.

Note: Shaded areas reflect last revision(s) made to this form.