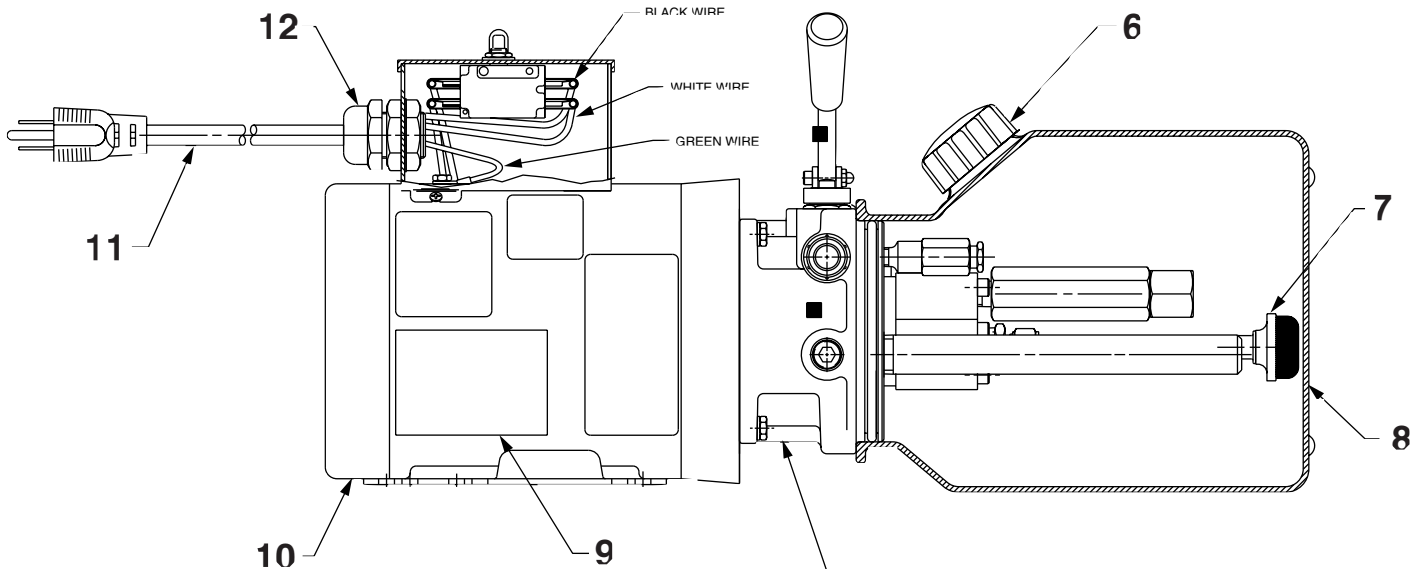
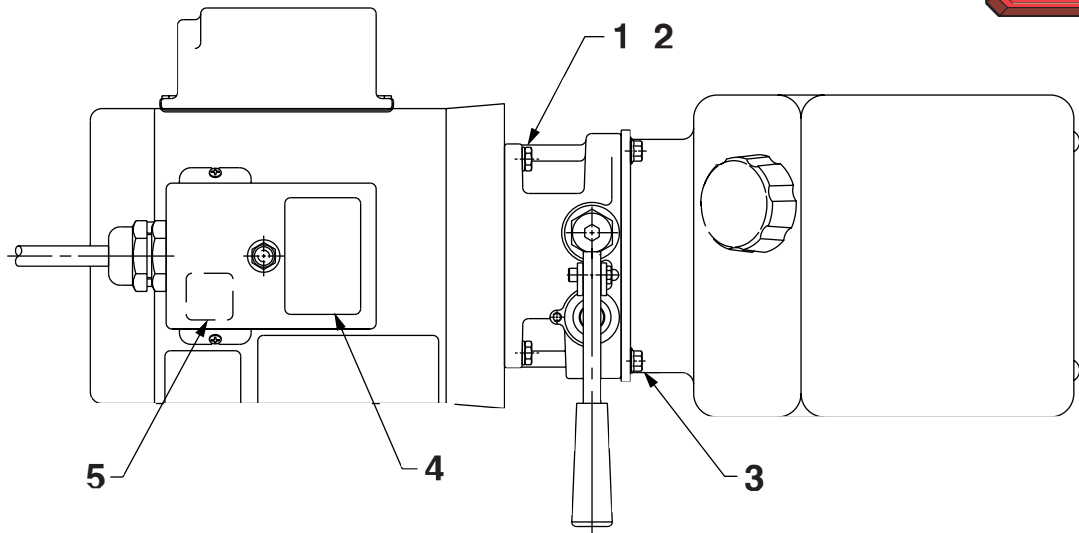


MODEL B
ELECTRIC HYDRAULIC GEAR PUMP



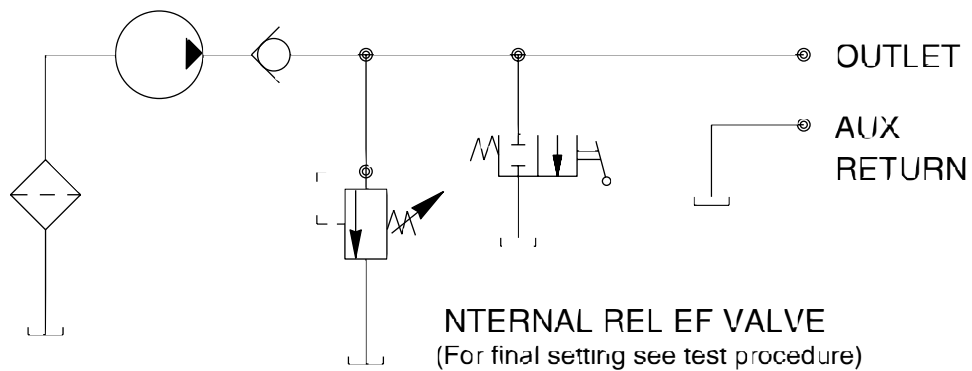
Basic Pump Assembly
See Sheet 2 of 2

NOTE: Views shown here are of GPM08E32A.

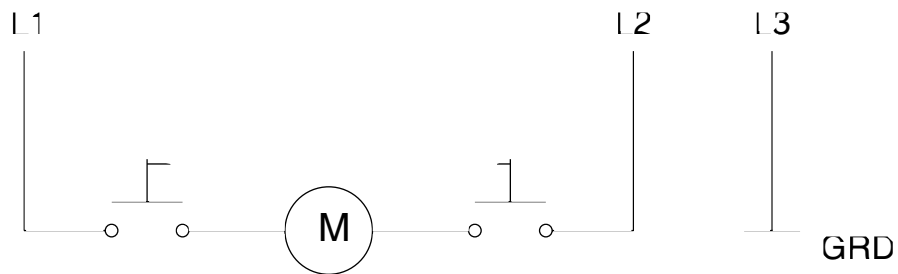
| Item No. | Part No. | No. Req'd | Description |
|----------|----------|-----------|--------------------------------------|
| 1 | 10048 | 4 | Screw, Hex HD Cap (3/8 16 x 7/8 Lg.) |
| 2 | 10247 | 4 | Washer, Lock (.68 x .39) |
| 3 | 253305 | 4 | Screw, Hex HD (1/4-20 x .50) |
| 4 | 253108 | 1 | Decal, Label Controls |
| 5 | 253287 | 1 | Decal, ETL |
| 6 | 252646 | 1 | Cap, Filler Breather |
| 7 | 15417 | 1 | Strainer, Suction |
| 8 | 65857 | 1 | Reservoir (1 Gallon) |
| 9 | 351771 | 1 | Decal, Warning |
| 10 | 59117 | 1 | Motor, Elec. (115/230V, 60/50 HZ) |
| 11 | 351766 | 1 | Cord (8' LG, 115V, 14/3 STO) |
| 12 | 252387 | 1 | Bushing, Stain Relief |



HYDRAULIC SCHEMATIC

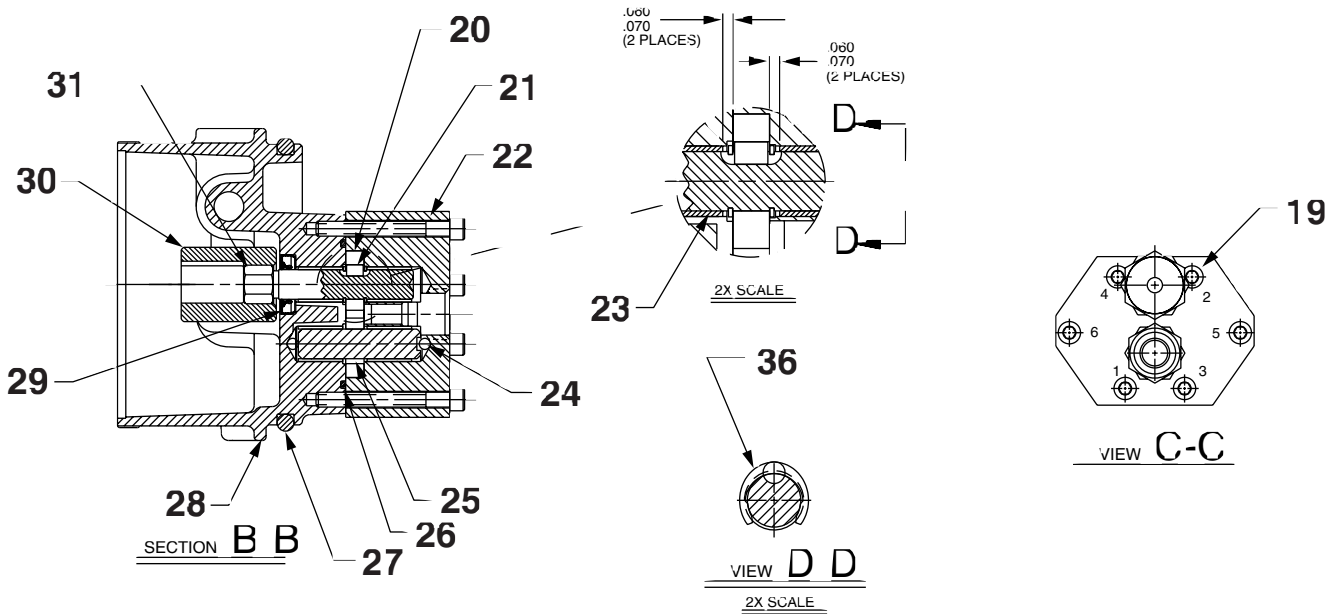
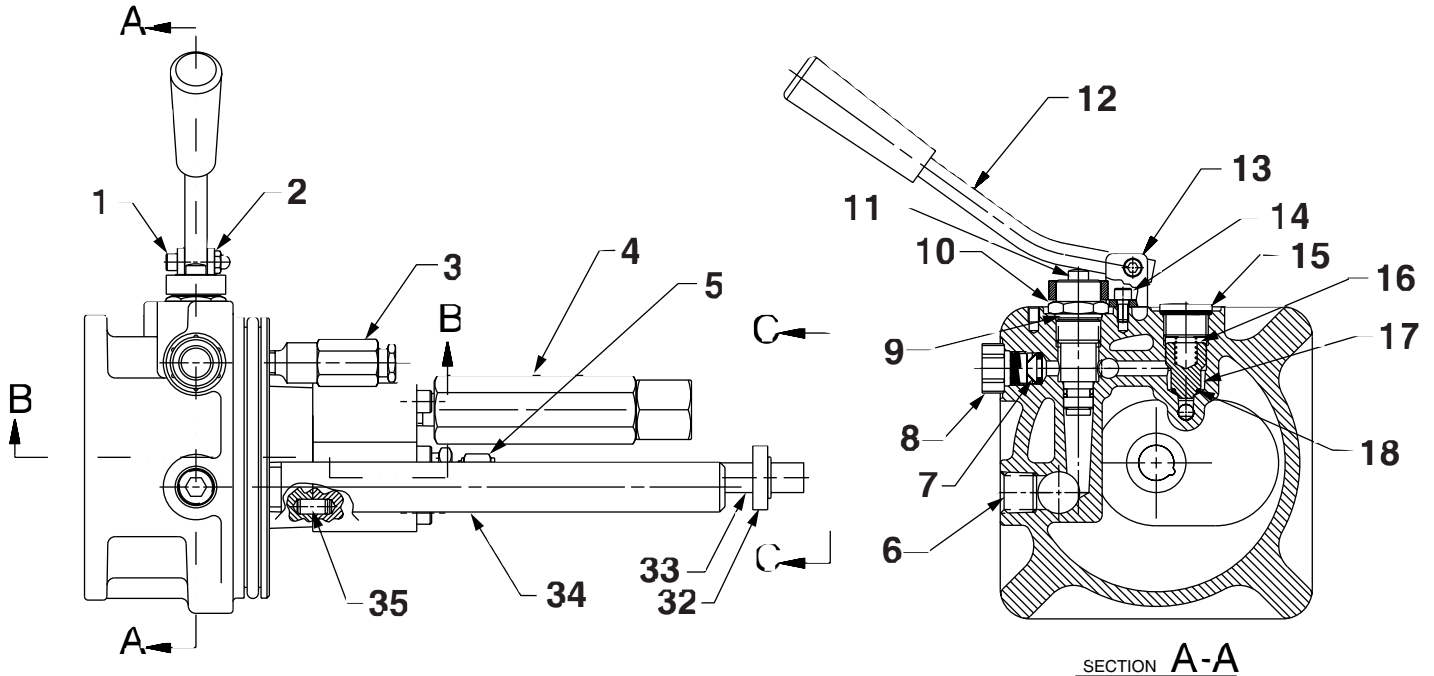


ELECTRICAL SCHEMATIC



BASIC PUMP

To Parts List



Parts List, Form No. 101956, Back sheet 2 of 2

| Item No. | Part No. | No. Req'd | Description |
|----------|------------|-----------|---|
| 1 | 253086 | 1 | Screw, Socket HD (10-24 x 7/8 Lg.) |
| 2 | 207405 | 1 | Nut, Hex Lock (10-24) |
| 3 | 421638-32W | 1 | Valve, Relief (Set at 3,400/3,800 PSI; for GPM08E32A) |
| | 421638-32 | 1 | Valve, Relief (Set at 3,300/3,700 PSI; for GPM08E32A-H) |
| 4 | 351806 | 1 | Valve, Soft Start |
| 5 | 253231 | 1 | Fitting, Straight (1/2 NPTF) |
| 6 | 16232 | 1 | Fitting, Plug (3/8 PTF) |
| 7 | 253330 | 1 | Filter |
| 8 | 250962 | 1 | Fitting, Plug (9/16-18 Plastic) |
| 9 | 10527 | 1 | O-ring (.81 x .64 Nitrile) |
| 10 | 351787 | 1 | Cap, Release Valve |
| 11 | 351633 | 1 | Valve, Release |
| 12 | 351785 | 1 | Handle |
| 13 | 351786 | 1 | Bracket, Mounting |
| 14 | 14276 | 1 | Screw, Socket HD (10-32 x 3/8) |
| 15 | 214014 | 1 | Fitting, Plug (1/2 Tube) |
| 16 | 10425 | 1 | Spring (.37 OD x .75 x .03 WS) |
| 17 | 351827 | 1 | Body Poppet |
| 18 | 14763 | 1 | O-ring (.43 x .31 Urethane) |
| 19 | 12001 | 6 | Screw, Soc HD (1/4-20 x 2-1/4; Cross torque in 60 in. lbs. increments in order shown, Torque to 120 in. lbs.) |
| 20 | 421625-0.8 | 2 | Gear |
| 21 | 253070-0.8 | 1 | Key |
| 22 | 65918-0.8 | 1 | Body, Pump |
| 23 | 253071 | 4 | Bearing, Sleeve |
| 24 | 12223 | 2 | Ball (3/16" Dia. Steel) |
| 25 | 253068 | 1 | Shaft |
| 26 | 253069 | 1 | O-ring (2.250 x 2.062 Nitrile) |
| 27 | 252645 | 1 | O-ring (4.750 x 4.375 Nitrile) |
| 28 | 65738 | 1 | Body, Valve |
| 29 | 252616 | 1 | Seal, Oil Shaft |
| 30 | 351625 | 1 | Coupling |
| 31 | 351627-0.8 | 1 | Shaft |
| 32 | 253331 | 1 | Magnet |
| 33 | 253232 | 1 | Tube, Intake (for GPM08E32A) |
| | 351840 | 1 | Tube, Intake (for GPM08E32A-H) |
| 34 | 253233 | 1 | Tube, Drain (for GPM08E32A only) |
| 35 | 15156 | 2 | Pin, Dowel (.25 x .50) |
| 36 | 253072 | 2 | Ring, Retain Ext. (.44 x .035; Position retaining ring to keyway as shown) |



Note: Shaded areas reflect last revision(s) made to this form.