



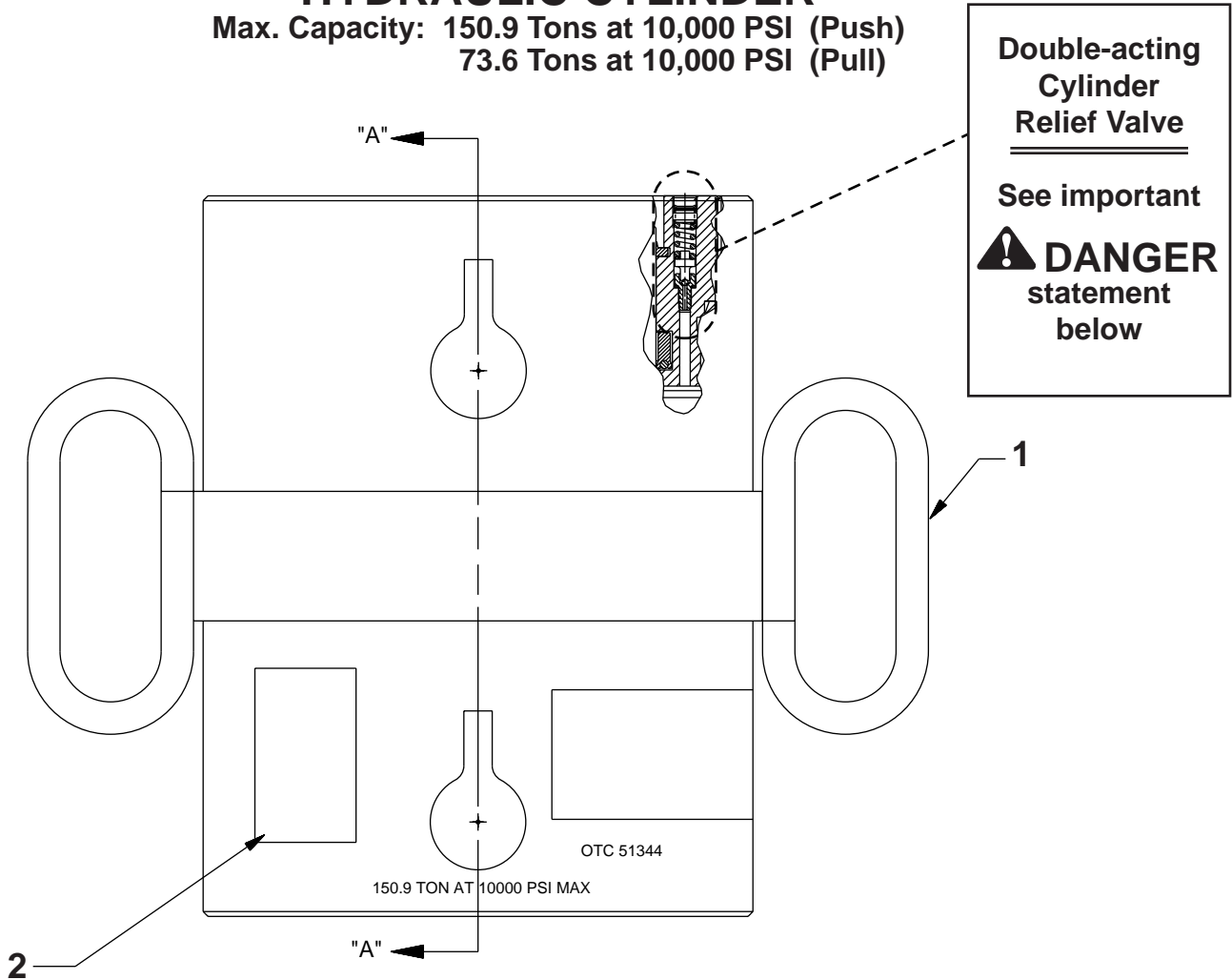
Hydraulic Technologies
 655 Eisenhower Drive
 Owatonna, MN 55060-0995 USA
 Phone: (507) 455-7000
 Tech. Services: (800) 533-6127
 Fax: (800) 955-8329
 Order Entry: (800) 533-6127
 Fax: (800) 283-8665
 International Sales: (507) 455-7290
 Fax: (507) 455-7063

Parts List for:

51344

MODEL B
DOUBLE-ACTING, HOLLOW CENTER
HYDRAULIC CYLINDER

Max. Capacity: 150.9 Tons at 10,000 PSI (Push)
 73.6 Tons at 10,000 PSI (Pull)



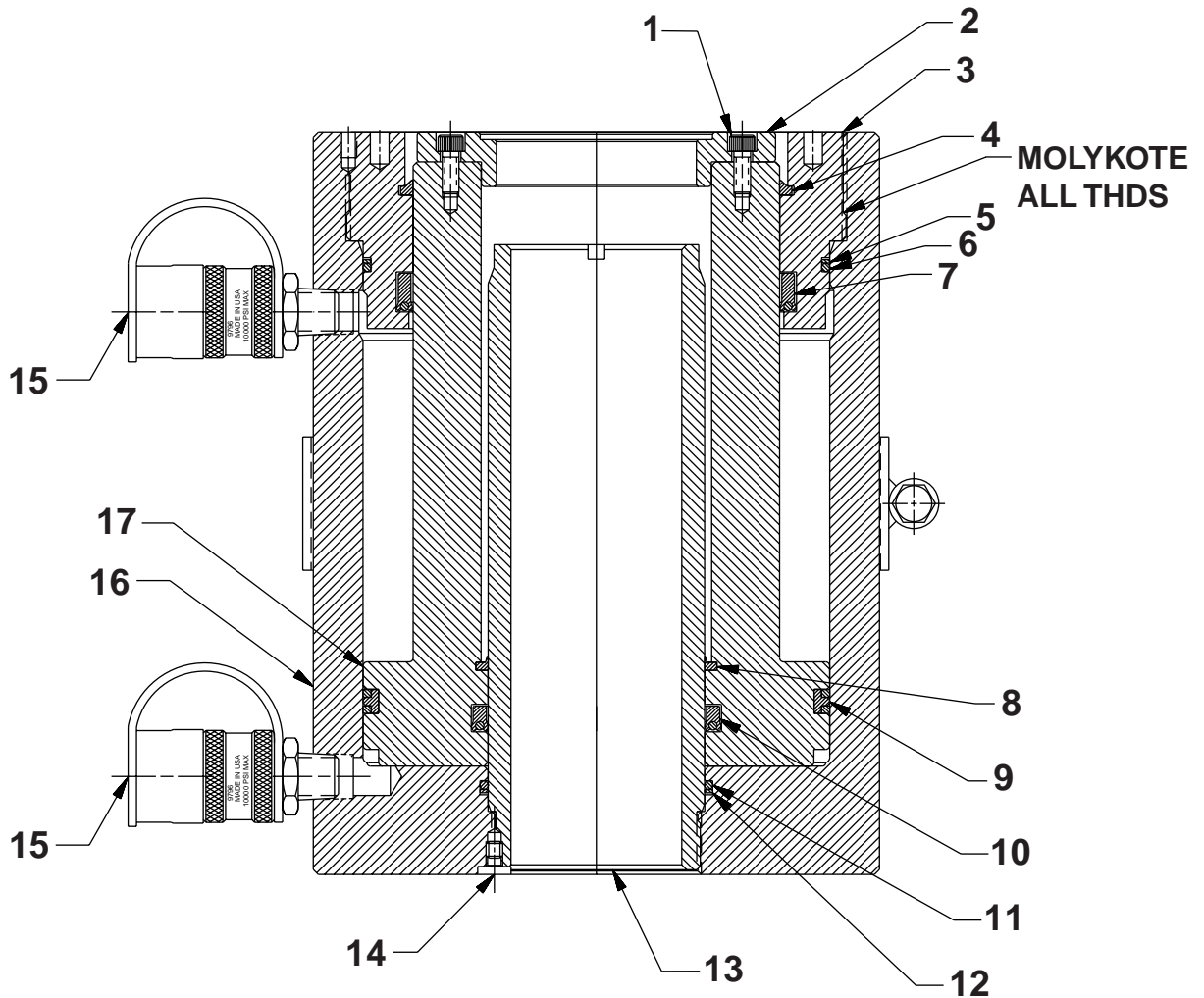
**Double-acting
 Cylinder
 Relief Valve**
 See important
! DANGER
 statement
 below

! DANGER: To help avoid possible serious personal injury or death,
 ● In the event that the cylinder retract port is ever restricted or plugged, a double-acting cylinder relief valve will help prevent excessive pressure from building in the cylinder. **DO NOT** attempt to adjust or service this relief valve! If oil leakage is detected from this relief valve, discontinue use of the cylinder immediately and contact OTC Technical Services. Only OTC Authorized Hydraulic Service Centers should service this relief valve.

| Item No. | Part No. | No. Req'd | Description |
|----------|----------|-----------|-----------------------|
| 1 | 59234WH2 | 1 | Handle, Cylinder Lift |
| 2 | 203908 | 1 | Decal, Warning |

Sheet No. 1 of 1
 Rev. Date: 28 Aug. 1998

SECTION A-A



| Item No. | Part No. | No. Req'd | Description |
|----------|----------|-----------|---|
| 1 | 10006 | 4 | Screw, Socket HD (1/4-20 x 5/8; Torque to 140-160 in. lbs.) |
| 2 | 38472 | 1 | Cap, End |
| 3 | 50870 | 1 | Nut, Retainer (3/8-24) |
| 4 | *207593 | 1 | Wiper, Rod (5.94 x 5.50 URE) |
| 5 | *†19176 | 1 | Washer, Backup (7.00 x 6.75) |
| 6 | *16317 | 1 | O-ring (7.00 x 6.75 Nitrile) |
| 7 | *16315 | 1 | U-cup (6.00 x 5.50 x .56 H) |
| 8 | *16311 | 1 | Wiper, Rod (3.63 x 3.25 URE) |
| 9 | *16313 | 1 | T-seal (7.00 x 6.50 x .36 L) |
| 10 | *16316 | 1 | U-cup (3.75 x 3.25 x .38 H) |

| Item No. | Part No. | No. Req'd | Description |
|----------|----------|-----------|--|
| 11 | *10297 | 1 | O-ring (3.50 x 3.25 Nitrile) |
| 12 | *†19166 | 1 | Washer, Backup (3.50 x 3.25) |
| 13 | 36406 | 1 | Pipe, Stand (Bottom out and back off 1.8 revolution before adding set screw; Molykote all thds.) |
| 14 | 10556 | 2 | Screw, Set (1/4-20 x 1/4) |
| 15 | 25600-1 | 2 | Coupler, Quick Cylinder Half |
| | 9866 | 2 | Cap, Dust |
| 16 | 65995 | 1 | Body, Cylinder |
| 17 | 50871 | 1 | Rod, Piston |

Parts marked with an asterisk (*) are contained in Repair Kit No. 300154.

Parts marked with a dagger (†) are contained in Repair Kit No. 300228.

Refer to any operating instructions included with this product for detailed information about operation, testing, disassembly, reassembly, and preventive maintenance.

Items found in this parts list have been carefully tested and selected. **Therefore: Use only genuine OTC replacement parts!**

Additional questions can be directed to our Technical Services Department.