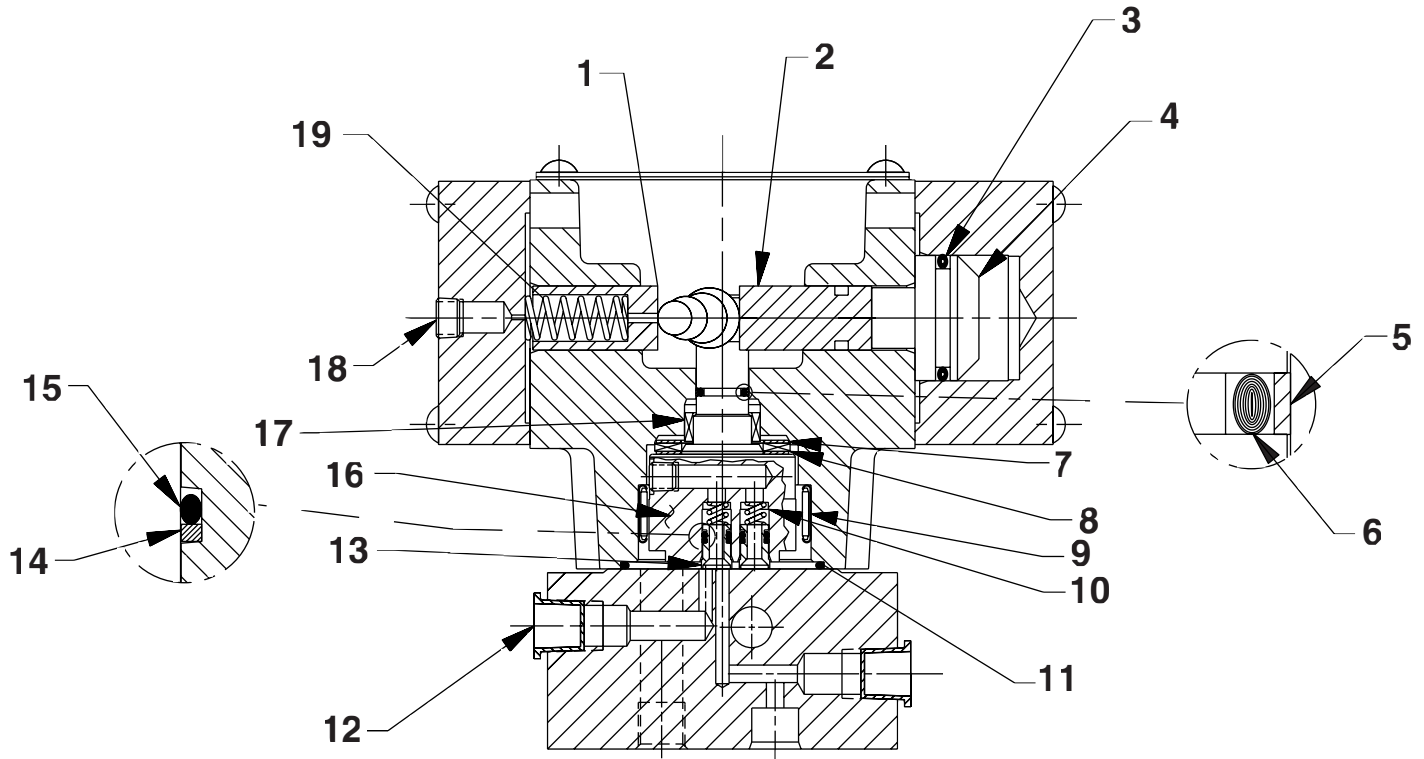


2 POSITION, 4-WAY -- PUMP MOUNTED -- AIR OPERATED VALVE ASSEMBLY SIDE VIEW

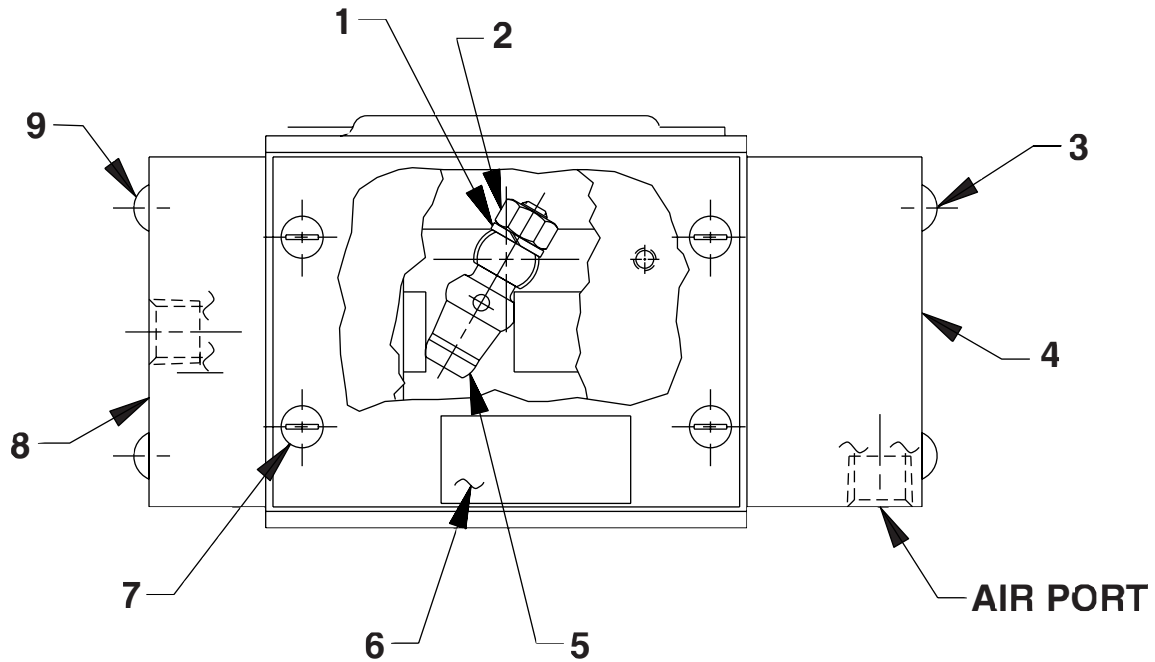


Item No.	Part No.	No. Req'd	Description
1	303968	1	Plunger, Actuator (Lubricate with 11360 oil or equiv. during ass'y.)
2	208673	1	Plunger, Cam (Lubricate with 11360 oil or equiv. during ass'y.)
3	*10280	1	O-ring (1.37 x 1.12 Nitrile)
4	304882	1	Piston
5	*208672	1	Ring, Glyd (0.562 OD Teflon)
6	*10268	1	O-ring (.50 x .37 Nitrile)
7	15935	2	Washer, Thrust (1.42 x .88)
8	12188	1	Bearing, Needle
9	17505	1	Bearing, Needle Roller

Item No.	Part No.	No. Req'd	Description
10	15095	2	Spring (.24 OD x .47 x .04 WS)
11	*214699	1	O-ring (2.18 x 2.00 Urethane)
12	13270	3	Cap, Plastic
13	303935	2	Seal, Shear
14	*15174	2	Washer, Backup (.31 x .19)
15	*10265	2	O-ring (.31 x .18 Nitrile)
16	52064	1	Rotor
17	208671	1	Bearing, Needle Roller
18	15499	1	Fitting, Plug (1/8 PTF)
19	214694	1	Spring .47 OD x 2.12 x .07 WS)

Parts marked with an asterisk (*) are contained in Repair Kit No. 300332.

TOP VIEW



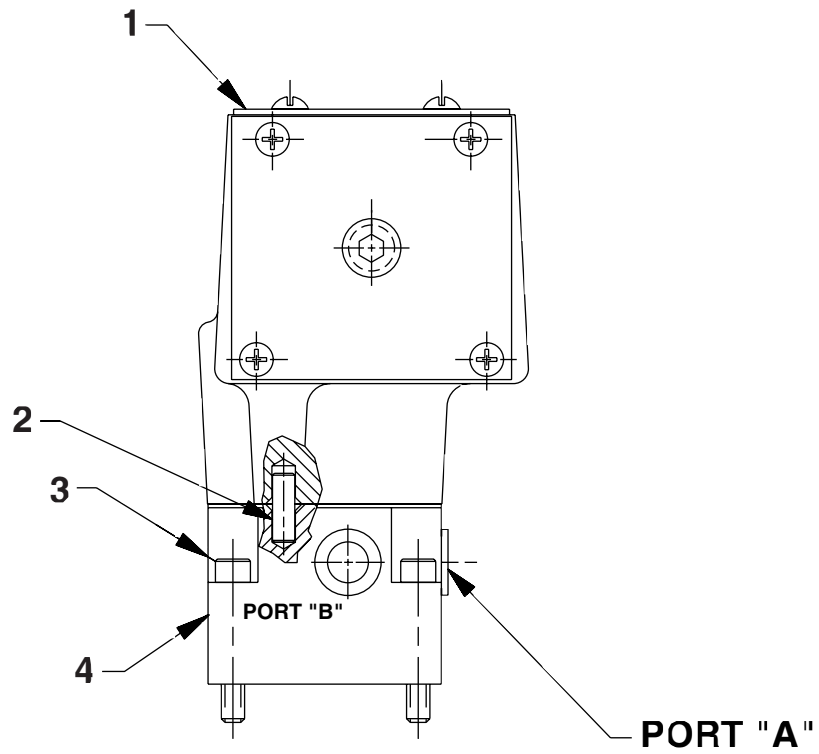
Item No.	Part No.	No. Req'd	Description
1	10245	1	Washer, Lock (.49 x .26)
2	15504	1	Nut, Nex Lock (1/4-28)
3	11871	4	Screw, Round HD (8-32 x 1-3/4; Torque to 13 in. lbs.)
4	45593	1	Cap, Air
5	304030	1	Lever, Cam
6	209383	1	Decal, Patent
7	10164	4	Screw, Round HD (10-24 x 3/8)
8	45209	1	Cap, Air
9	13025	4	Screw, Round HD (8-32 x 1-1/4; Torque to 13 in. lbs.)

Refer to any operating instructions included with this product for detailed information about operation, testing, disassembly, reassembly, and preventive maintenance.

Items found in this parts list have been carefully tested and selected. **Therefore: Use only genuine Power Team replacement parts!**

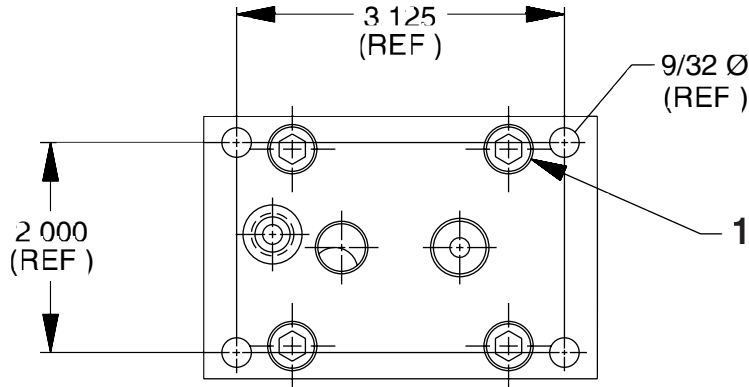
Additional questions can be directed to our Technical Services Department.

END VIEW



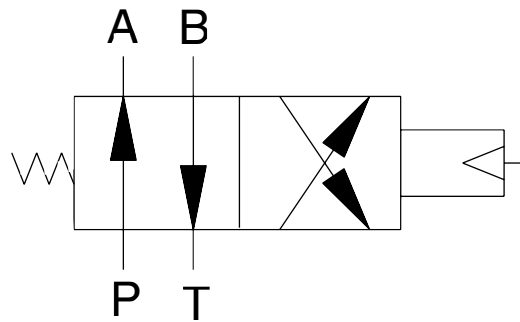
Item No.	Part No.	No. Req'd	Description
1	303976	1	Cover
2	17567	2	Pin, Spring Coiled (.25 x .75)
3	10022	4	Screw, Soc HD (1/4-20 x 1-1/2)
4	250318	1	Body, Valve

MOUNTING HOLE DIMENSIONS



Item No.	Part No.	No. Req'd	Description
1	18328	4	Screw, Socket HD (5/16-18 x 2; Torque to 175 in. lbs.)

SPECIFICATIONS



HYDRAULIC SCHEMATIC

2-POSITION 4-WAY
 AIR OPERATED
 PUMP MOUNTED
 RATED PRESSURE = 10 000 PSI
 RATED CASE PRESSURE = 1 000 PSI
 RATED FLOW = 5 GPM

FUNCTION

"A" POSITION SPRING DETENTED
 HYD. PRESSURE TO "A" PORT
 "B" PORT TO TANK
 "B" POSITION (AIR PORT)
 HYD. PRESSURE TO "B" PORT
 "A" PORT TO TANK

NOTE.

ALL PORTS OPEN TO TANK DURING
 TRANSITION BETWEEN VALVE POSITIONS