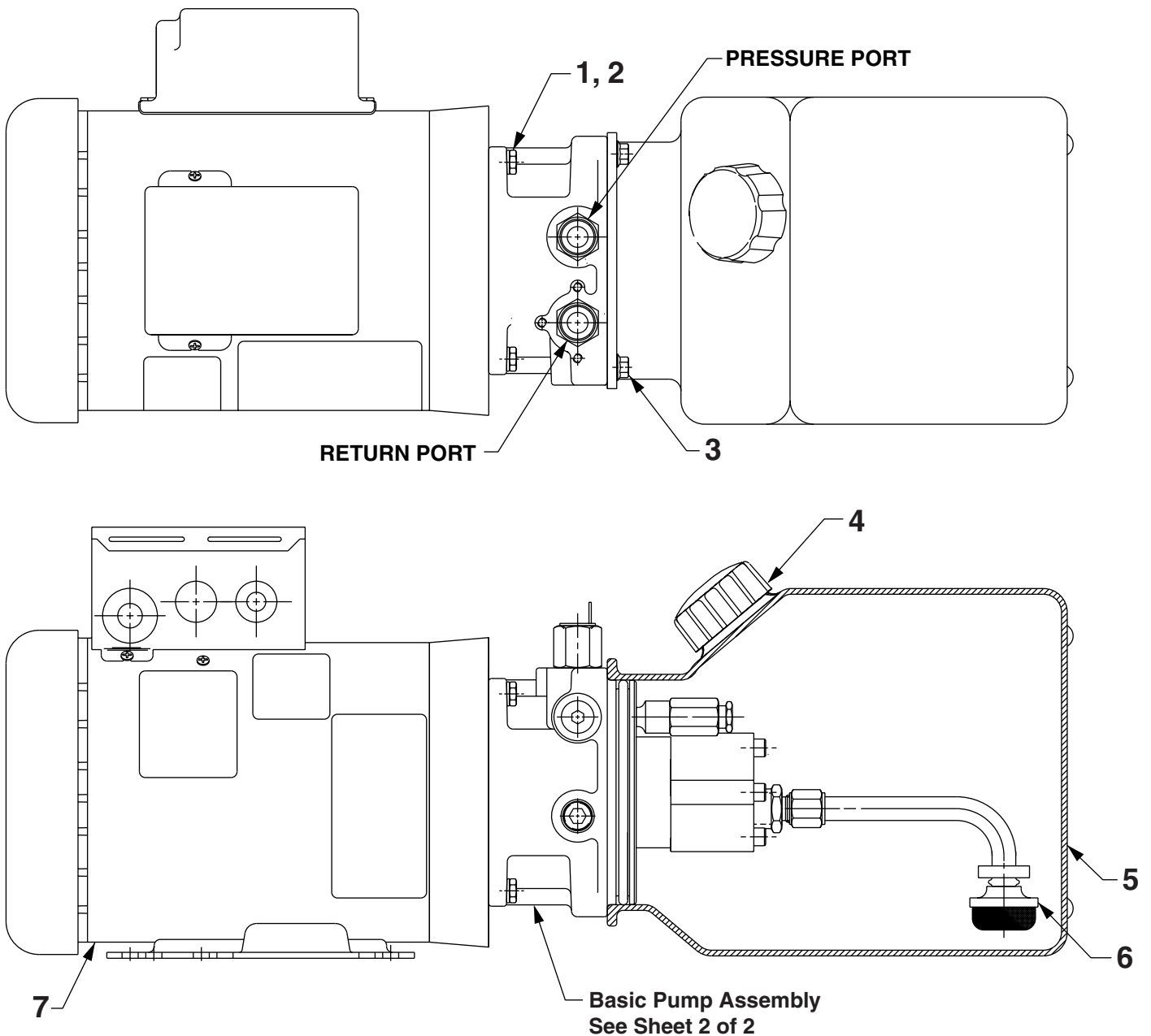


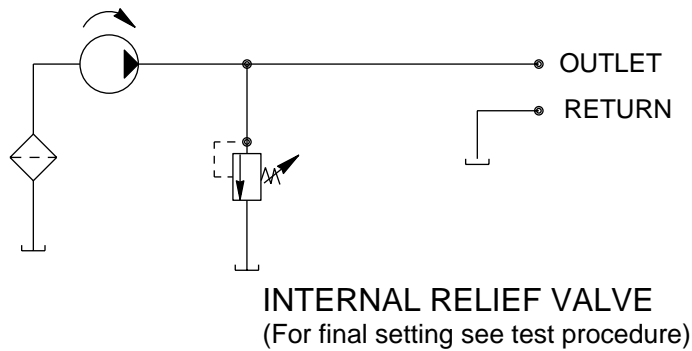
**MODEL B
ELECTRIC HYDRAULIC GEAR PUMP**



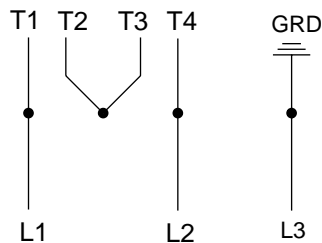
| Item No. | Part No. | No. Req'd | Description |
|----------|----------|-----------|----------------------------------|
| 1 | 10048 | 4 | Screw, Hex HD Cap (3/8-16 x 7/8) |
| 2 | 10247 | 4 | Washer, Lock (.68 x .39) |
| 3 | 253305 | 4 | Screw, FLG Hex HD (1/4-20 x .50) |
| 4 | 252646 | 1 | Cap, Filler Breather |
| 5 | 65857 | 1 | Reservoir (1 Gallon) |
| 6 | 15417 | 1 | Strainer, Suction |
| 7 | 59243 | 1 | Motor, Elec (115/230V, 60HZ) |



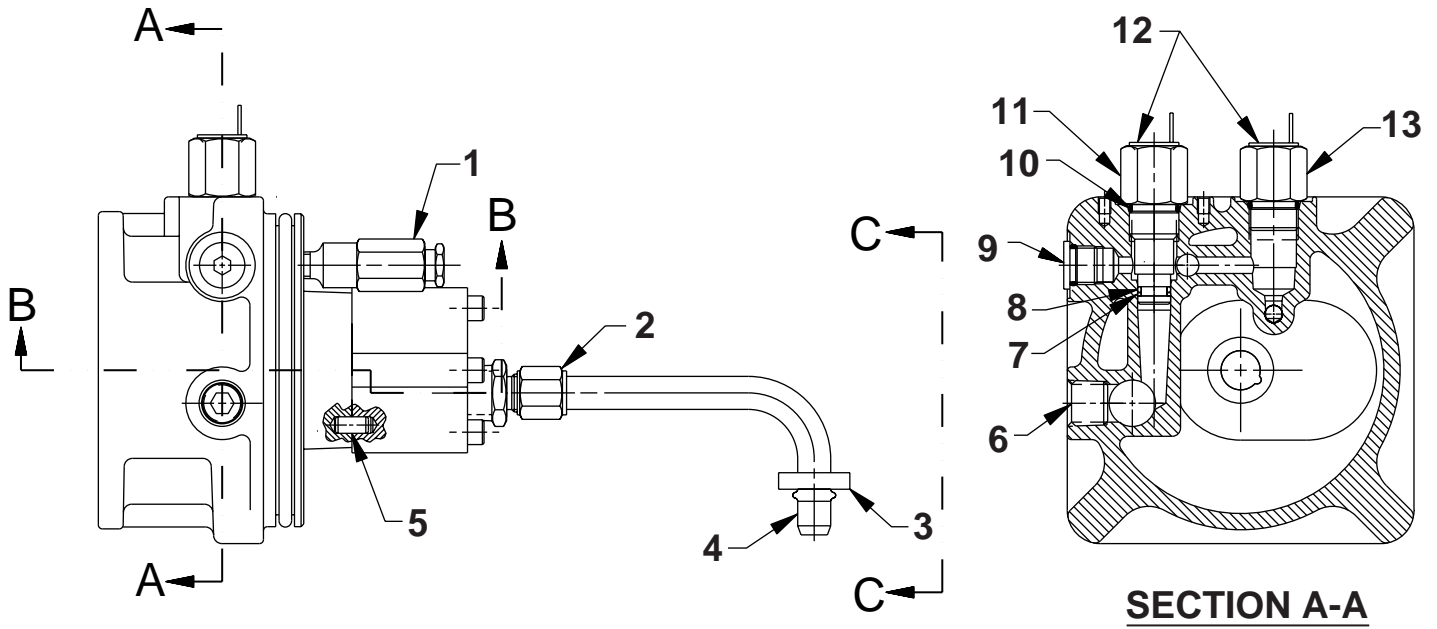
HYDRAULIC SCHEMATIC



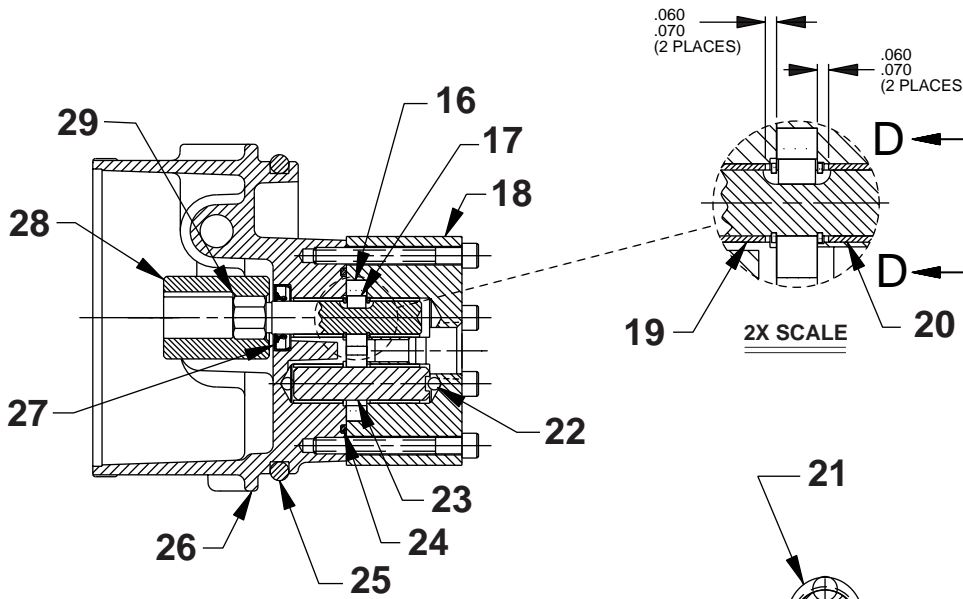
ELECTRICAL SCHEMATIC 230V., 60HZ.



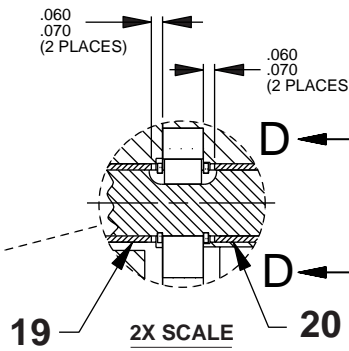
BASIC PUMP ASSEMBLY



SECTION A-A

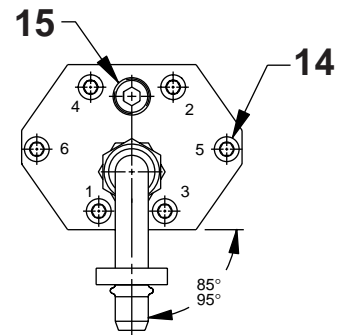


SECTION B-B



VIEW D-D

2X SCALE



VIEW C-C

Parts List, Form No. 101987, Back sheet 2 of 2

| Item No. | Part No. | No. Req'd | Description |
|----------|------------|-----------|--|
| 1 | 421638-16 | 1 | Valve, Relief (Set at 1,700/2,000 PSI) |
| 2 | 253231 | 1 | Fitting, Straight (1/2 NPTF) |
| 3 | 253331 | 1 | Magnet |
| 4 | 351840 | 1 | Tube, Intake |
| 5 | 15156 | 2 | Pin, Dowel (.25 x .50) |
| 6 | 16232 | 1 | Fitting, Plug (3/8 PTF) |
| 7 | 11863 | 1 | Washer, Backup (.50 x .38) |
| 8 | 10268 | 1 | O-ring (.50 x .37 Nitrile) |
| 9 | 251809 | 1 | Fitting, Plug (3/8 Tube; Torque to 160 in. lbs.) |
| 10 | 10527 | 1 | O-ring (.81 x .64 Nitrile) |
| 11 | 421823 | 1 | Adapter |
| 12 | 209128 | 2 | Cap, Plastic |
| 13 | 205956 | 1 | Fitting, Straight (3/4 NPTF) |
| 14 | 12001 | 6 | Screw, Soc HD (1/4-20 x 2-1/4; Cross torque in 60 in. lbs. increments in order shown.; Torque to 120 in. lbs.) |
| 15 | 14972 | 1 | Fitting, Plug (1/4 PTF) |
| 16 | 421625-3.2 | 2 | Gear |
| 17 | 253070-3.2 | 1 | Key |
| 18 | 65918-3.2 | 1 | Body, Pump |
| 19 | 253071 | 2 | Bearing, Sleeve |
| 20 | 253408 | 2 | Bearing, Sleeve |
| 21 | 253072 | 2 | Ring, Retain Ext (0.44 x .035; Position retaining ring to keyway as shown) |
| 22 | 12223 | 2 | Ball (3/16" Dia. Steel) |
| 23 | 253068 | 1 | Shaft |
| 24 | 253069 | 1 | O-ring (2.250 x 2.062 Nitrile) |
| 25 | 252645 | 1 | O-ring (4.750 x 4.375 Nitrile) |
| 26 | 65738 | 1 | Body, Valve |
| 27 | 252616 | 1 | Seal, Oil Shaft |
| 28 | 351625 | 1 | Coupling |
| 29 | 351627-3.2 | 1 | Shaft |



Refer to any operating instructions included with this product for detailed information about operation, testing, disassembly, reassembly, and preventive maintenance.

Items found in this parts list have been carefully tested and selected. **Therefore: Use only genuine Power Team replacement parts!**

Additional questions can be directed to our Technical Services Department.