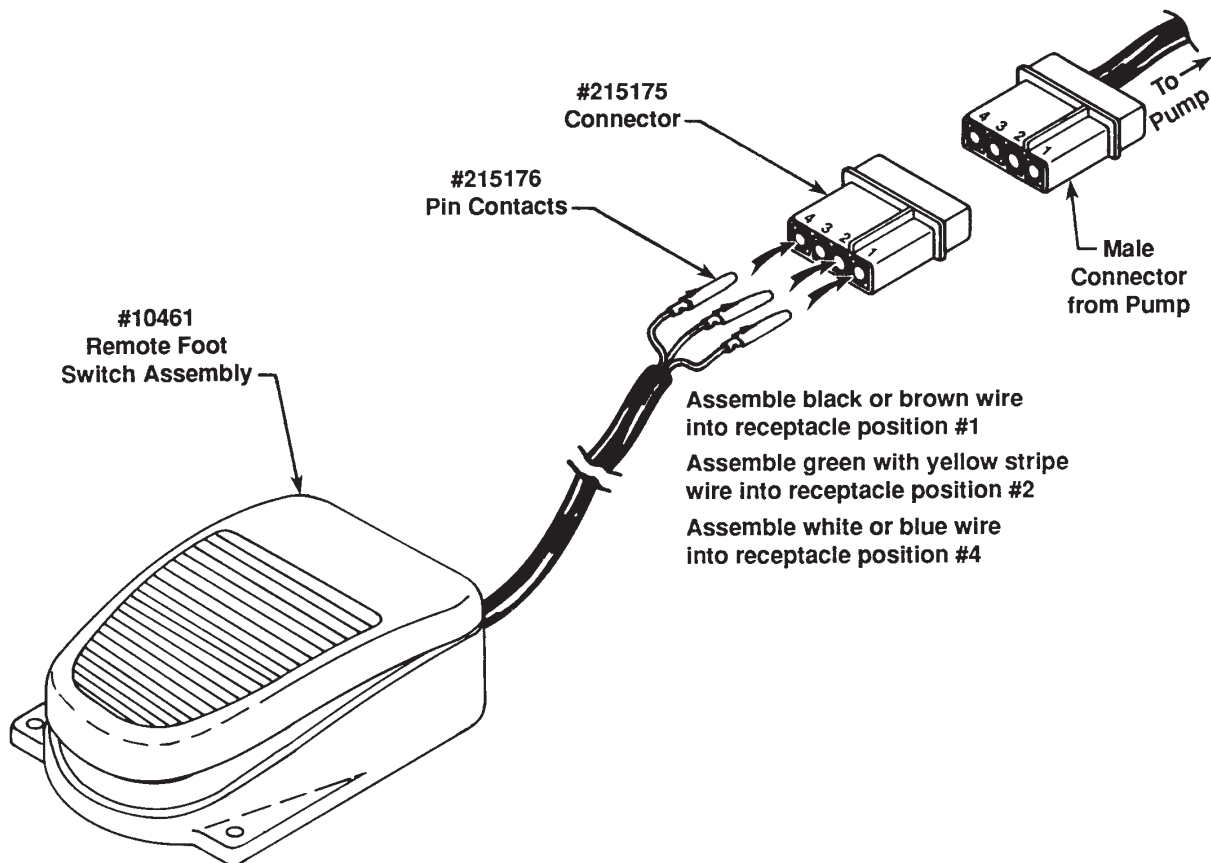


REMOTE CONTROL FOOT SWITCH



WARNING: To help avoid personal injury, all electrical work must be done by a qualified electrician.

1. Disconnect the pump from the power supply.
2. Cut any existing terminal off the end of the foot switch (#25017) cable.
3. Install pin contacts (#215176) on wires in the foot switch cable. Crimp and solder.
4. Remove the shroud from the pump motor.
5. Feed the foot switch cable through the hole in the mounting bracket. See Figure 1.
6. Insert the pin contacts (on the foot switch cable) into the holes of the pin housing connector (#215175) as shown in illustration above.
7. Connect this assembly to the mating pin housing connector attached to the side of the pump motor. See Figure 1.
8. Attach the foot switch cable to the cable mounting bracket using the (supplied) strain relief bushing (#15993).

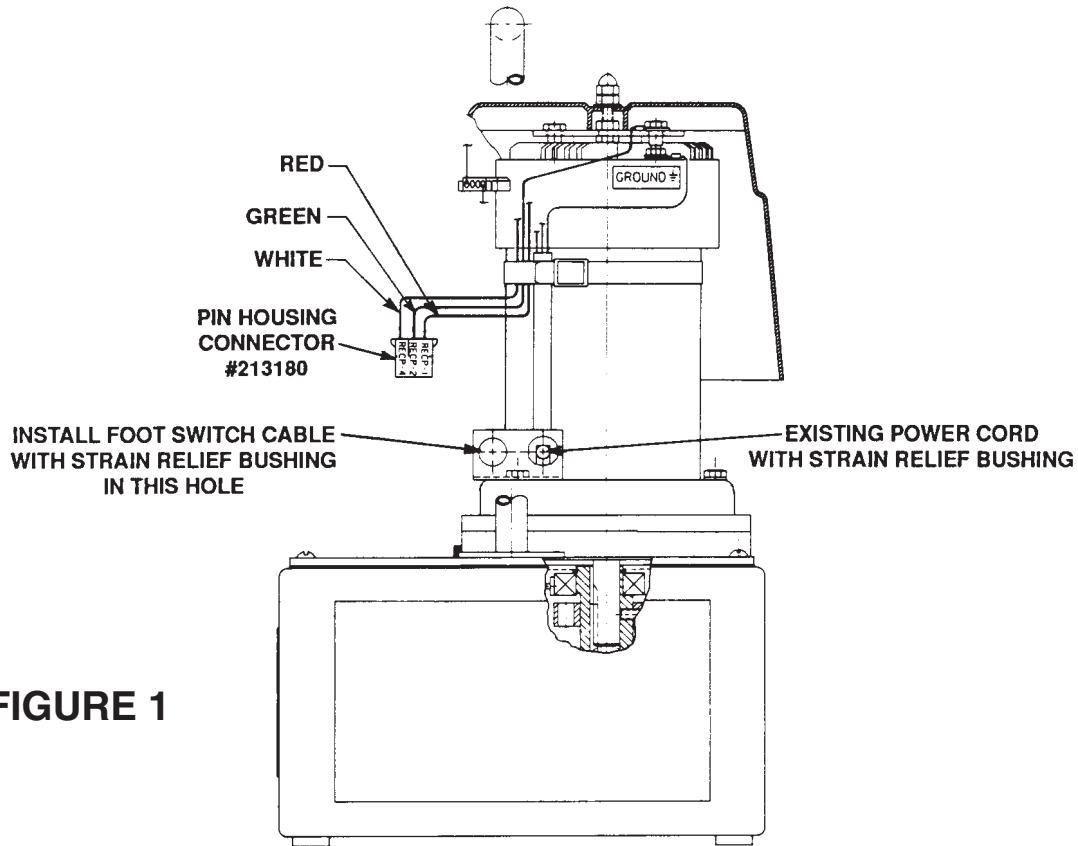


FIGURE 1

ELECTRICAL SCHEMATIC

115 Volt, 60 Hz.

WARNING: To help avoid personal injury, all electrical work must be done by a qualified electrician.

