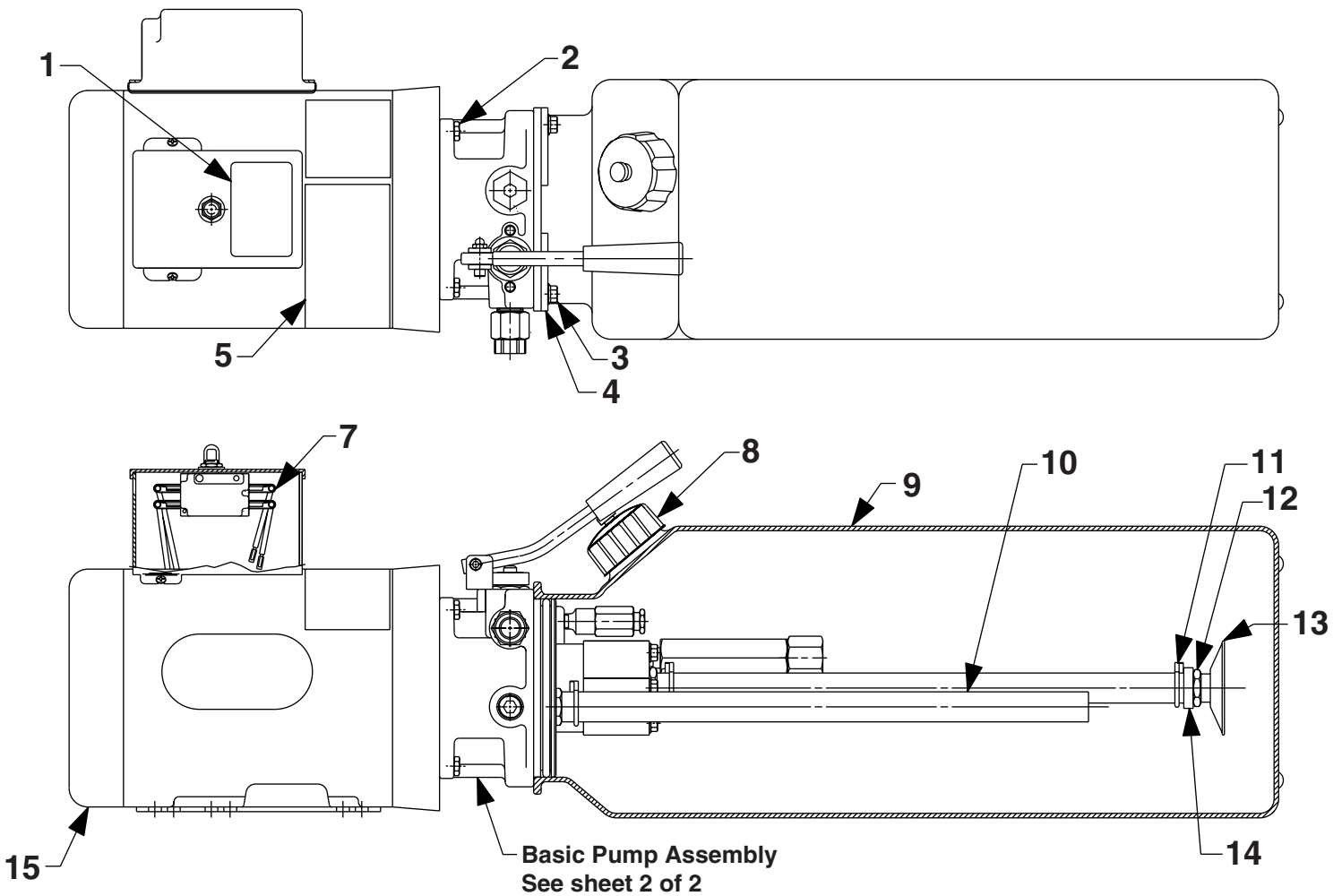


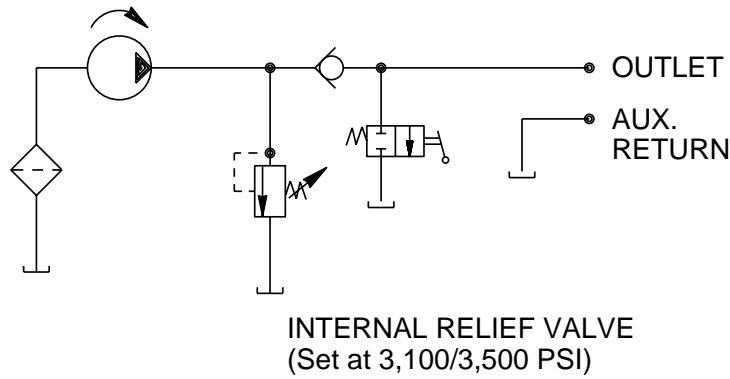
MODEL D
ELECTRIC HYDRAULIC GEAR PUMP



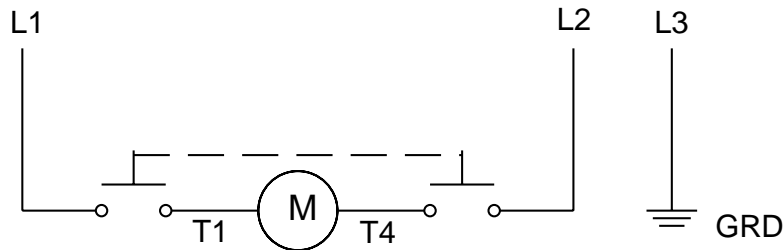
| Item No. | Part No. | No. Req'd | Description |
|----------|----------|-----------|---|
| 1 | 253108 | 1 | Decal, Label Controls |
| 2 | 10048 | 4 | Screw, Hex HD Cap (3/8-16 x 7/8) |
| 3 | 253538 | 4 | Support, Reservoir Flange |
| 4 | 10009 | 4 | Screw, Hex HD (1/4-20 x 3/4) |
| 5 | 351667 | 1 | Decal, Warning |
| 7 | 351867 | 2 | Assembly, Wire (Connect to common side of switch) |
| 8 | 252646 | 1 | Cap, Filler Breather |
| 9 | 66146 | 1 | Reservoir (3.5 Gallon) |
| 10 | 252630 | 2.33 ft. | Tubing, Plastic |
| 11 | 252756 | 3 | Clamp, Hose |
| 12 | 252617 | 1 | Fitting, Hose (1/2-20 UNF) |
| 13 | 29682 | 1 | Filter |
| 14 | 253331 | 1 | Magnet |
| 15 | 501018 | 1 | Motor, Elec (208/230 V., 60 Hz.) |



HYDRAULIC SCHEMATIC

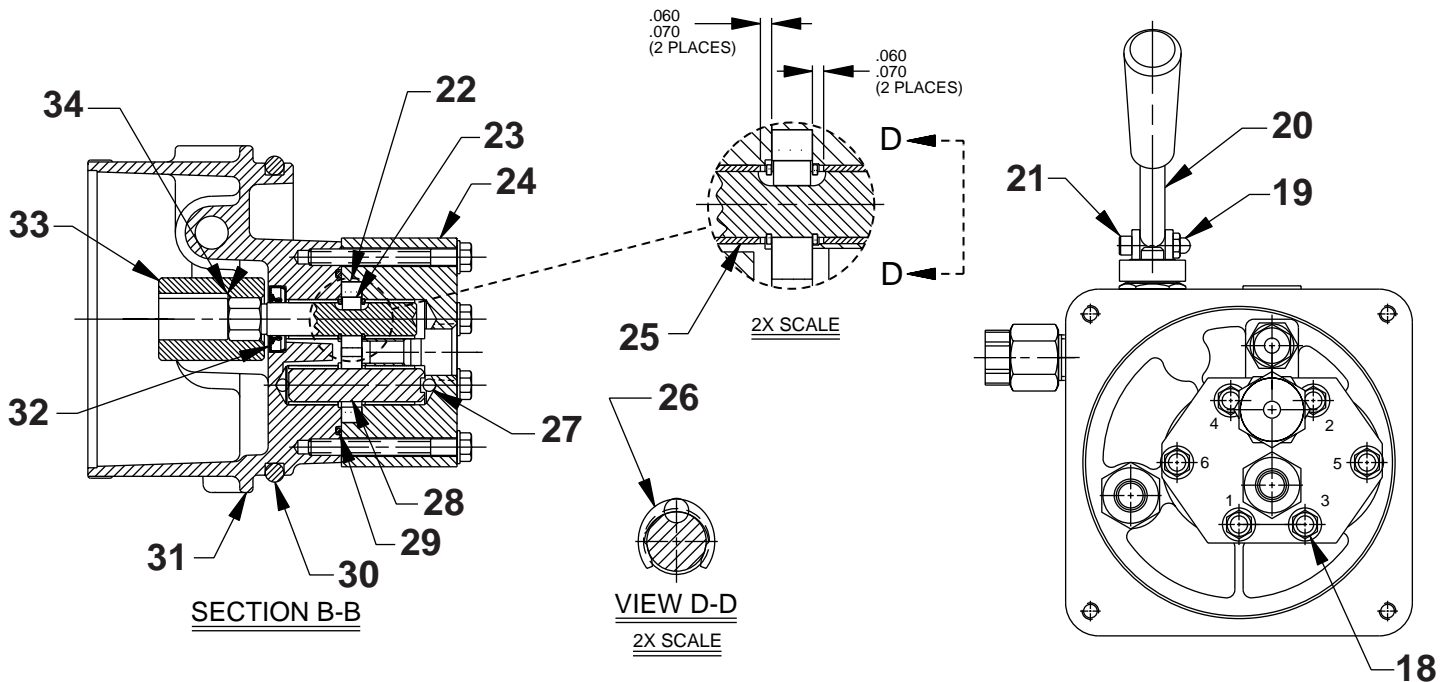
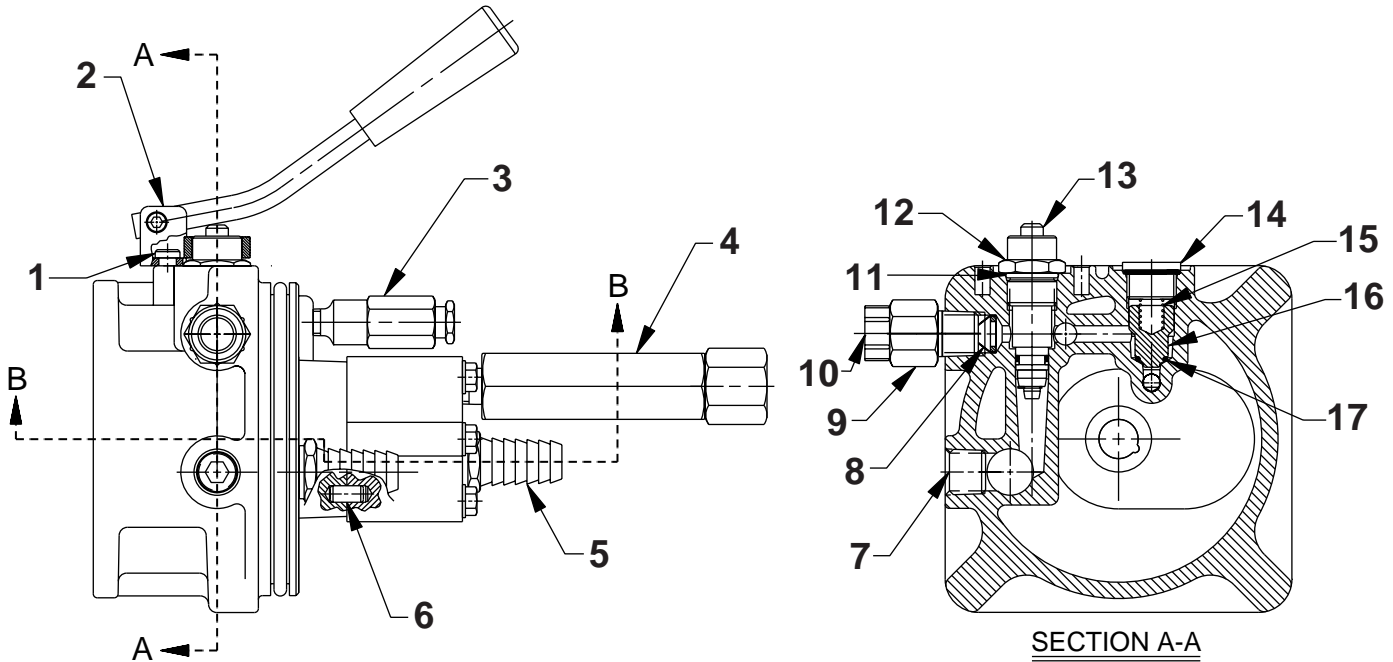


ELECTRICAL SCHEMATIC



Note: Shaded areas reflect last revision(s) made to this form.

BASIC PUMP ASSEMBLY



Parts List, Form No. 108027, Back sheet 2 of 2

| Item No. | Part No. | No. Req'd | Description |
|----------|-------------------|-----------|--|
| 1 | 253493 | 1 | Screw, Hx Soc Tap (1/4-20 x .50; Torque to 70 in. lbs.) |
| 2 | 351963 | 1 | Bracket, Mounting |
| 3 | 421638-30 | 1 | Valve, Relief (For GPM20A30F; Set at 3,100/3,500 PSI) |
| | 421638-27 | 1 | Valve, Relief (For 6-0091; Set at 2,800/3,200 PSI) |
| 4 | 351834 | 1 | Valve, Soft Start |
| 5 | 252618 | 2 | Fitting, Hose (1/2 NPTF) |
| 6 | 15156 | 2 | Pin, Dowel (.25 x .50) |
| 7 | 16232 | 1 | Fitting, Plug (3/8 NPTF) |
| 8 | 253519 | 1 | Filter |
| 9 | 253491 | 1 | Fitting, Straight (3/8 NPT x 9/16 ORB) |
| 10 | 250962 | 1 | Fitting, Plug (9/16-18; Plastic) |
| 11 | 10527 | 1 | O-ring (.81 x .64 Nitrile) |
| 12 | 351787 | 1 | Cap, Release Valve |
| 13 | 351633 | 1 | Valve, Release |
| 14 | 214014 | 1 | Fitting, Plug (1/2 Tube) |
| 15 | 10425 | 1 | Spring (.37 OD x .75 x .03 WS) |
| 16 | 351827 | 1 | Body, Poppet |
| 17 | 14763 | 1 | O-ring (.43 x .31 Urethane) |
| 18 | 253494 | 6 | Screw, Hx HD Tap (1/4-20 x 2.25; Cross torque to 120 in. lbs. in order shown.) |
| 19 | 207405 | 1 | Nut, Hex Lock (10-24) |
| 20 | 351785 | 1 | Handle |
| 21 | 253086 | 1 | Screw, Socket HD (10-24 x 7/8) |
| 22 | 421819-2.0 | 2 | Gear |
| 23 | 253070-2.0 | 1 | Key |
| 24 | 65918-2.0 | 1 | Body, Pump |
| 25 | 253071 | 4 | Bearing, Sleeve |
| 26 | 253072 | 2 | Ring, Retain Ext. (0.44 x .035; Position retaining ring to keyway as shown.) |
| 27 | 12223 | 2 | Ball (3/16" Dia. Steel) |
| 28 | 253068 | 1 | Shaft |
| 29 | 253069 | 1 | O-ring (2.250 x 2.062 Nitrile) |
| 30 | 252645 | 1 | O-ring (4.750 x 4.375 Nitrile) |
| 31 | 65738 | 1 | Body, Valve |
| 32 | 252616 | 1 | Seal, Oil Shaft |
| 33 | 351625 | 1 | Coupling |
| 34 | 351627-2.0 | 1 | Shaft |

