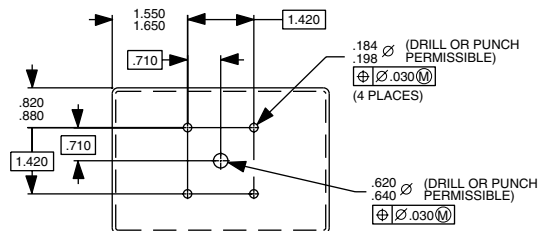
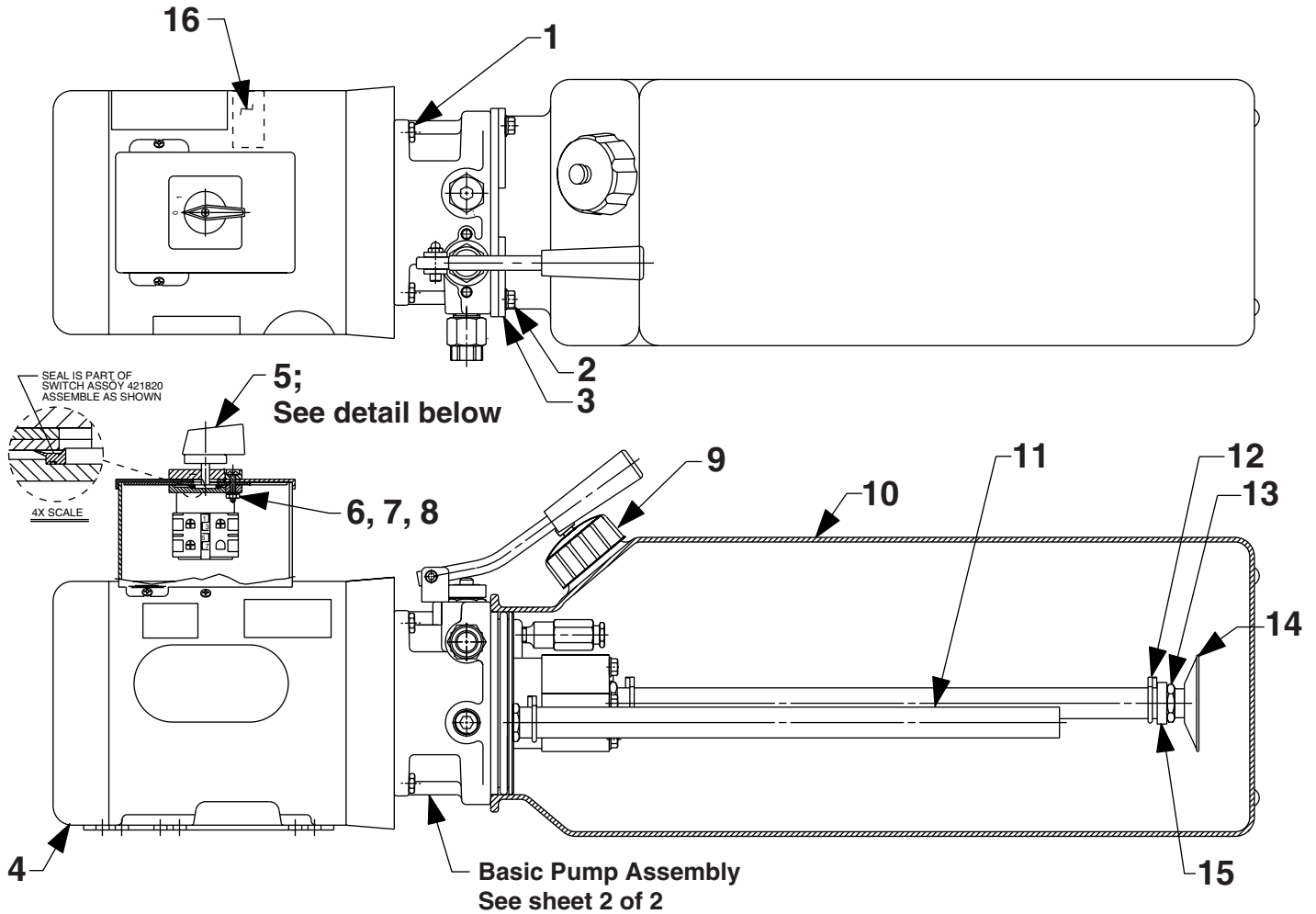


**MODEL D  
ELECTRIC HYDRAULIC GEAR PUMP**



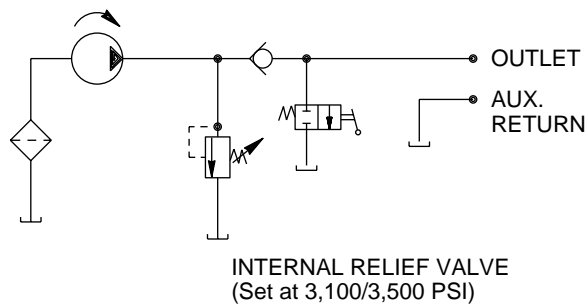
**MOUNTING HOLE DETAIL**

Item No.	Part No.	No. Req'd	Description
1	10048	4	Screw, Hex HD Cap (3/8-16 x 7/8)
2	10009	4	Screw, Hex HD Cap (1/4-20 x 3/4)
3	253538	4	Support, Reservoir Flange
4	59138	1	Motor, Elec (230 V., 60/50 Hz.)
5	421820	1	Switch, Rotary
6	12409	4	Screw, Round HD (8-32 x 5/8)
7	11388	4	Washer, Tooth Ext (.37 x .17)
8	10196	4	Nut, Hex (8-32)
9	252646	1	Cap, Filler Breather
10	66146	1	Reservoir (3.5 Gallon)
11	252630	2.33 ft.	Tubing, Plastic
12	252756	3	Clamp, Hose
13	252617	1	Fitting, Hose (1/2-20 UNF)
14	29682	1	Filter
15	253331	1	Magnet
16	351771	1	Decal, Warning

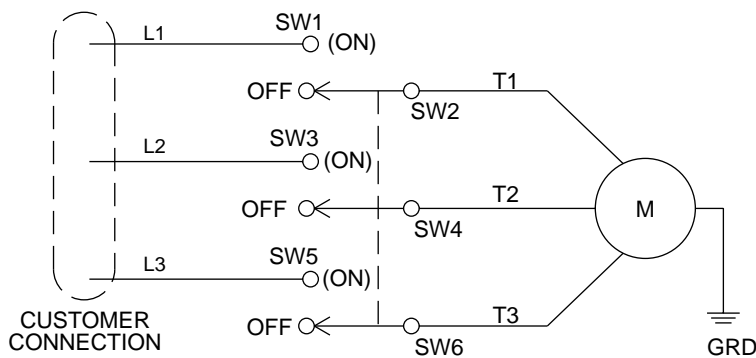


PARTS INCLUDED BUT NOT SHOWN			
352044	1	Box, Switch	} Replacement parts for electric motor
352043	1	Cover, Switch Box	

### HYDRAULIC SCHEMATIC



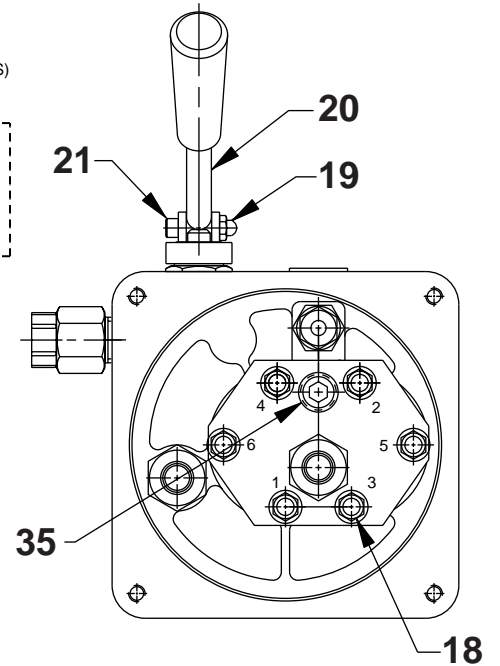
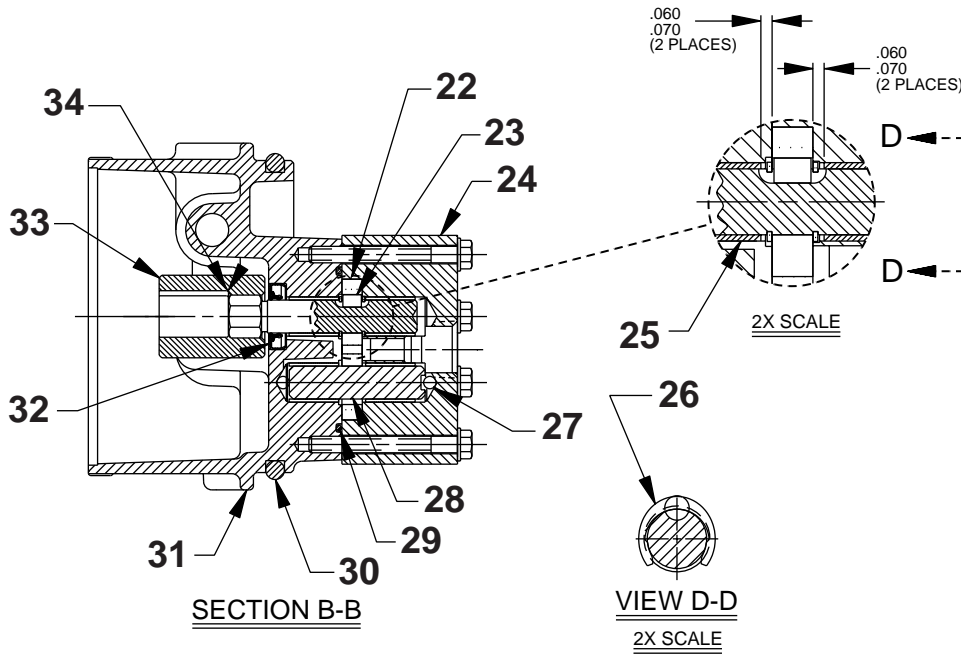
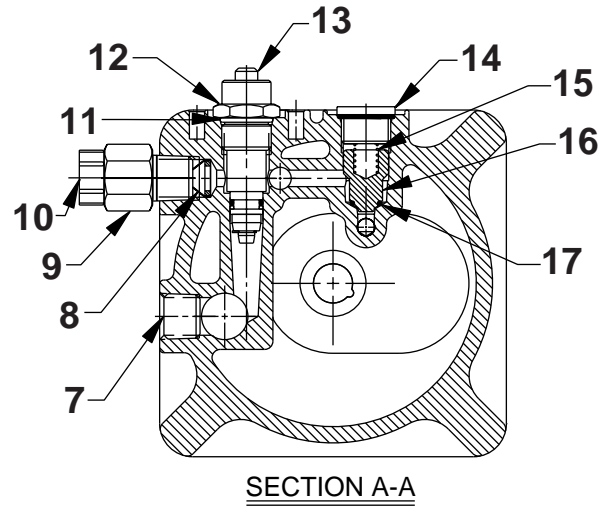
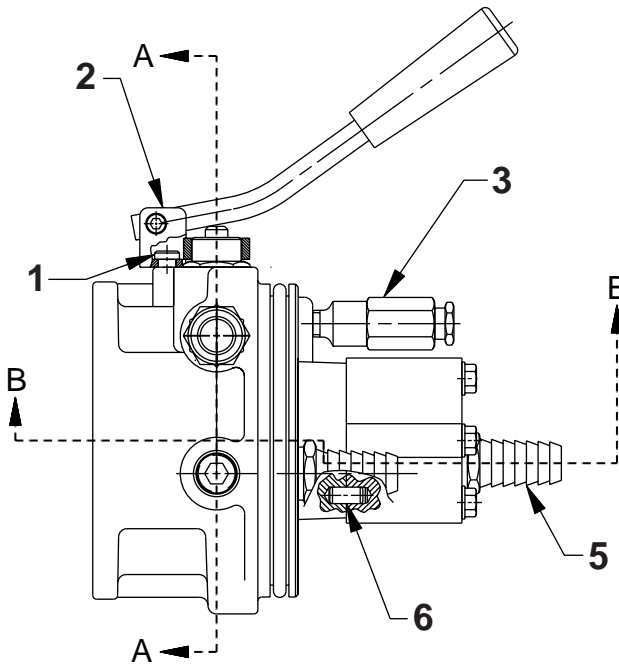
### ELECTRICAL SCHEMATIC



TO REVERSE ROTATION INTERCHANGE ANY TWO LINE LEADS

Note: Shaded areas reflect last revision(s) made to this form.

# BASIC PUMP ASSEMBLY



## Parts List, Form No. 108073, Back sheet 2 of 2

Item No.	Part No.	No. Req'd	Description
1	253493	1	Screw, Hx Soc Tap (1/4-20 x .50; Torque to 70 in. lbs.)
2	351963	1	Bracket, Mounting
3	421638-30	1	Valve, Relief (Set at 3,100/3,500 PSI)
4	351834	1	Valve, Soft Start
5	252618	2	Fitting, Hose (1/2 NPTF)
6	15156	2	Pin, Dowel (.25 x .50)
7	16232	1	Fitting, Plug (3/8 NPTF)
8	253519	1	Filter
9	253491	1	Fitting, Straight (3/8 NPT x 9/16 ORB)
10	250962	1	Fitting, Plug (9/16-18; Plastic)
11	10527	1	O-ring (.81 x .64 Nitrile)
12	351787	1	Cap, Release Valve
13	351633	1	Valve, Release
14	214014	1	Fitting, Plug (1/2 Tube)
15	10425	1	Spring (.37 OD x .75 x .03 WS)
16	351827	1	Body, Poppet
17	14763	1	O-ring (.43 x .31 Urethane)
18	253494	6	Screw, Hx HD Tap (1/4-20 x 2.25; Cross torque to 120 in. lbs. in order shown.)
19	207405	1	Nut, Hex Lock (10-24)
20	351785	1	Handle
21	253086	1	Screw, Socket HD (10-24 x 7/8)
22	421819-2.0	2	Gear
23	253070-2.0	1	Key
24	65918-2.0	1	Body, Pump
25	253071	4	Bearing, Sleeve
26	253072	2	Ring, Retain Ext. (0.44 x .035; Position retaining ring to keyway as shown.)
27	12223	2	Ball (3/16" Dia. Steel)
28	253068	1	Shaft
29	253069	1	O-ring (2.250 x 2.062 Nitrile)
30	252645	1	O-ring (4.750 x 4.375 Nitrile)
31	65738	1	Body, Valve
32	252616	1	Seal, Oil Shaft
33	351625	1	Coupling
34	351627-2.0	1	Shaft
35	14972	1	Fitting, Plug (1/4 PTF)

