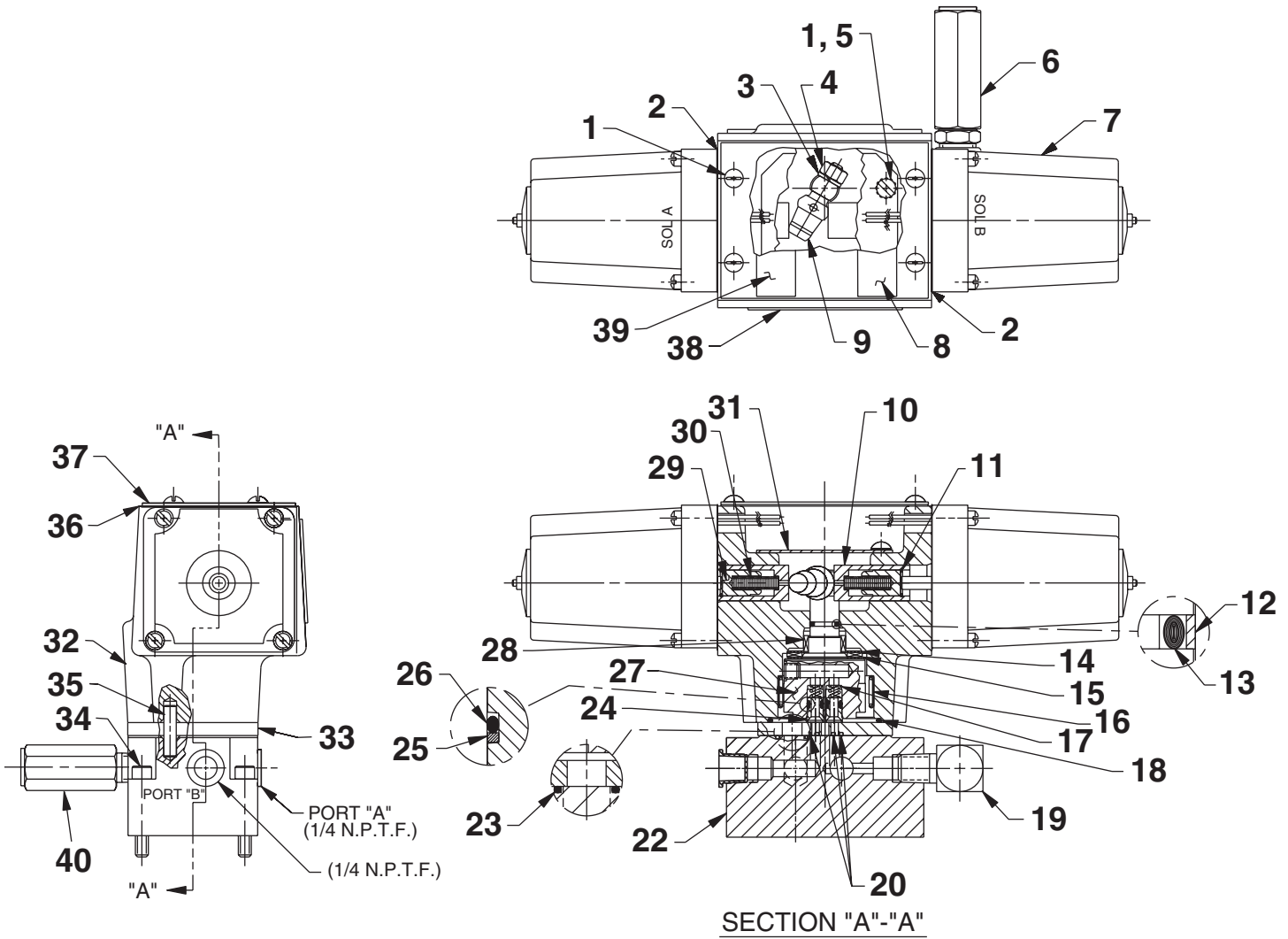


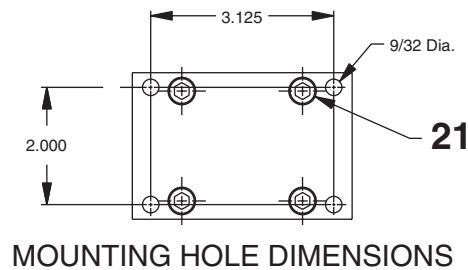
**MODEL B (9573 & 9574); MODEL C (9612)**  
**TWO POSITION, 4-WAY, PUMP-MOUNTED, SOLENOID-OPERATED**  
**VALVE ASSEMBLY**



Refer to any operating instructions included with the product for detailed information about operation, testing, disassembly, and preventive maintenance.

Items found in this parts list have been carefully tested and selected. **Therefore: Use only genuine Power Team replacement parts!**

Additional questions can be directed to our Technical Services Department.

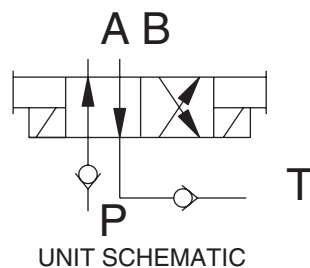


# Parts List, Form No. 108076, Back sheet 1 of 1

Item No.	Part No.	No. Req'd	Description	Item No.	Part No.	No. Req'd	Description
1	10164	5	Machine Screw (#10-24 UNC x 3/8 Lg.)	22	66213	1	Subplate
2	303980	2	Stop Plate	23	*16164	1	O-ring (.63 x .50 Urethane)
3	10245	1	Lockwasher (For 1/4" bolt)		11440	1	O-ring (.63 x .50 Viton)
4	15504	1	Locknut		12399	1	O-ring (.63 x .50 EPR)
5	11108	1	Lockwasher (#10 external tooth)	24	303935	2	Shear Seal
6	21570	1	Check Valve	25	*15174	2	Backup Washer (5/16 x 3/16 x 3/64)
7	304068	2	Solenoid (115 V., 50/60 Hz; For 9612)	26	*10265	2	O-ring (5/16 x 3/16 x 1/16; Nitrile)
	304069	2	Solenoid (230 V., 50/60 Hz; For 9574)		11437	2	O-ring (5/16 x 3/16 x 1/16; Viton)
	304070	2	Solenoid (24 V., 50/60 Hz.; For 9573)		17714	2	O-ring (5/16 x 3/16 x 1/16; EPR)
8	209383	1	Patent Decal	27	52064	1	Rotor
9	304030	1	Lever (Lubricate at assembly)	28	208671	1	Needle Roller Bearing
10	303968	2	Actuator Plunger (Lubricate at assembly)	29	208590	2	Spring Guide (Lubricate at assembly)
11	11522	2	Retaining Ring (For 1/2" hole)	30	13960	2	Compression Spring (1/4 O.D. x 1-1/2 Lg.)
12	*208672	1	Glyd Ring	31	303977	1	Inner Cover
13	*10268	1	O-ring (1/2 x 3/8 x 1/16; Nitrile)	32	61077	1	Valve Body
	11439	1	O-ring (1/2 x 3/8 x 1/16; Viton)	33	421896	1	Subplate
	17716	1	O-ring (1/2 x 3/8 x 1/16; EPR)	34	10022	4	Soc. Hd. Machine Screw (1/4-20 UNC x 1-1/2 Lg.; Note When using this valve on a PE30 Series pump order (4) 12001 Screws for mounting valve to pump.)
14	15935	2	Thrust Washer	35	252309	2	Spring Pin
15	12188	1	Roller Bearing	36	303986	1	Cover Gasket
16	17505	1	Needle Roller Bearing	37	303976	1	Cover
17	15095	2	Compression Spring (1/4 O.D. x 15/32 Lg.)	38	352032	1	Trade Name Decal (For 9612)
18	*214699	1	O-ring (2-3/16 x 2" x 3/32; Urethane)		352033	1	Trade Name Decal (For 9573)
	19017	1	O-ring (Viton)		352034	1	Trade Name Decal (For 9574)
	250400	1	O-ring (EPR)	39	421846	1	Warning Decal
19	16797	1	90° Elbow Fitting	40	206330	1	Check Valve
20	*15023	3	O-ring (5/16 x 3/16 x 1/16; Urethane)				
	11437	3	O-ring (5/16 x 3/16 x 1/16; Viton)				
	17714	3	O-ring (5/16 x 3/16 x 1/16; EPR)				
21	252308	2	Soc. Hd. Cap Screw (5/16-18 x 2-1/4 Lg.; Torque to 170/180 in. lbs.)				

Part numbers marked with an asterisk (\*) are contained in Repair Kit No. 300332.

## SPECIFICATIONS



2-POSITION, 4-WAY  
SOLENOID OPERATED  
PUMP MOUNTED

RATED PRESSURE = 10,000 P.S.I.  
RATED CASE PRESSURE = 1,000 P.S.I.  
RATED FLOW = 5 G.P.M.

### FUNCTION:

"A" POSITION: (SOLENOID "A")  
HYD. PRESSURE TO "A" PORT,  
"B" PORT TO TANK.

"B" POSITION: (SOLENOID "B")  
HYD. PRESSURE TO "B" PORT,  
"A" PORT TO TANK.

### NOTE:

ALL PORTS OPEN TO TANK DURING  
TRANSITION BETWEEN VALVE POSITIONS.

ELECTRICAL:	220 VAC. 50/60 HZ.	115 VAC. 50/60 HZ.	24 VAC. 50/60 HZ.
INRUSH CURRENT	2.6/2.8 AMP.	4.9/5.3 AMP.	24/24.5 AMP.
HOLDING CURRENT	.25/.31 AMP.	.6/.6 AMP.	2.8/2.9 AMP.