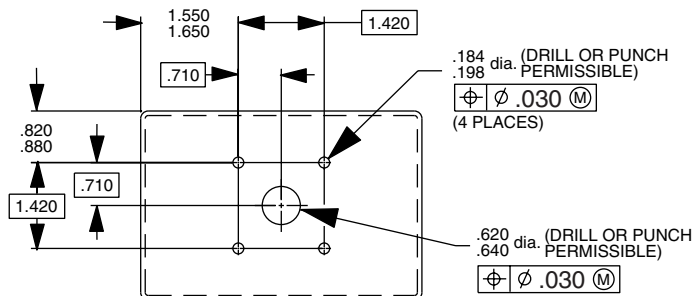
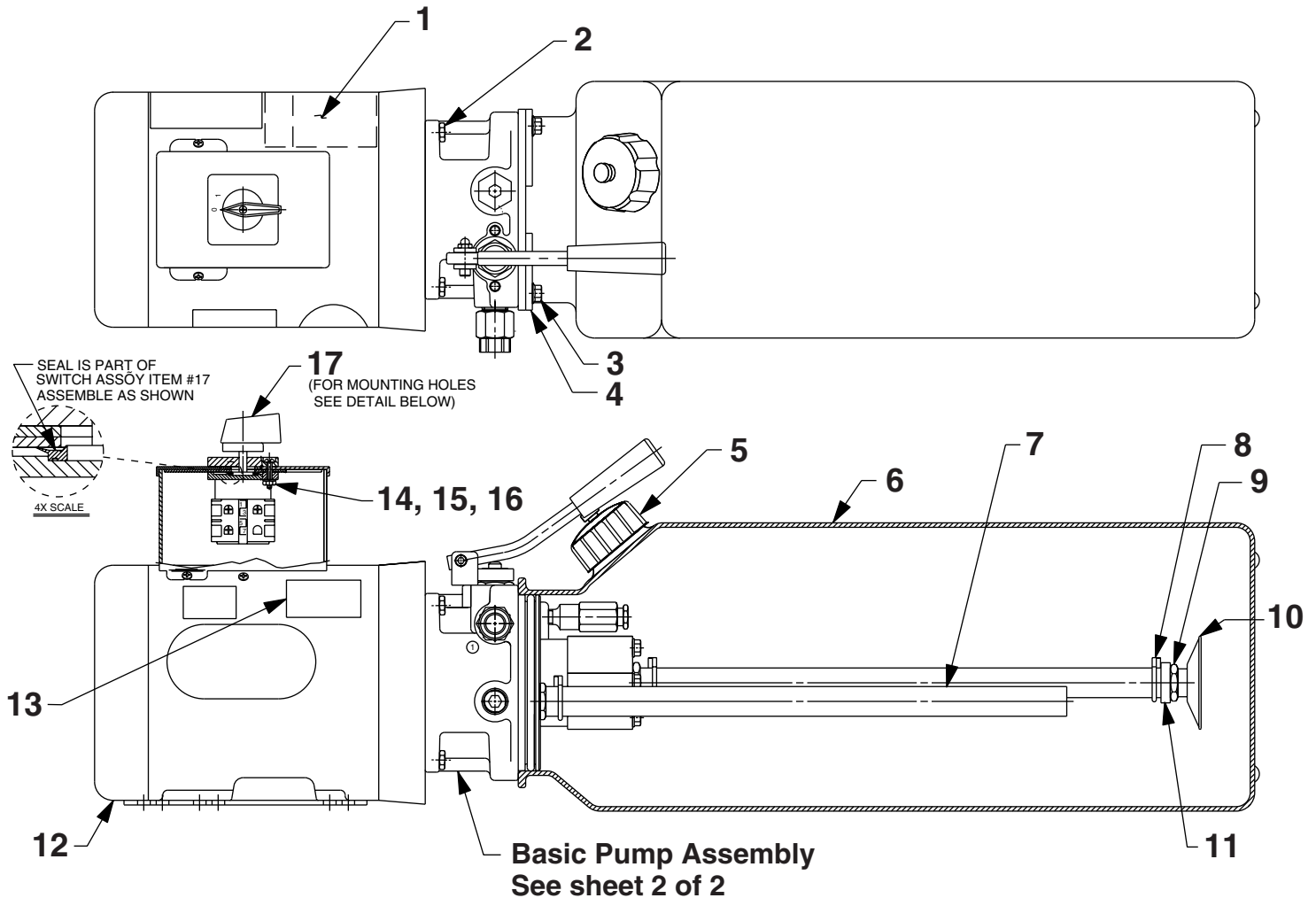


## MODEL D ELECTRIC HYDRAULIC GEAR PUMP

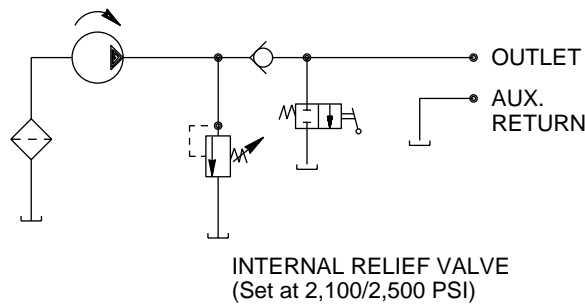


MOUNTING HOLE DETAIL  
(COVER AND GASKET)  
(FOR ROTARY SWITCH)

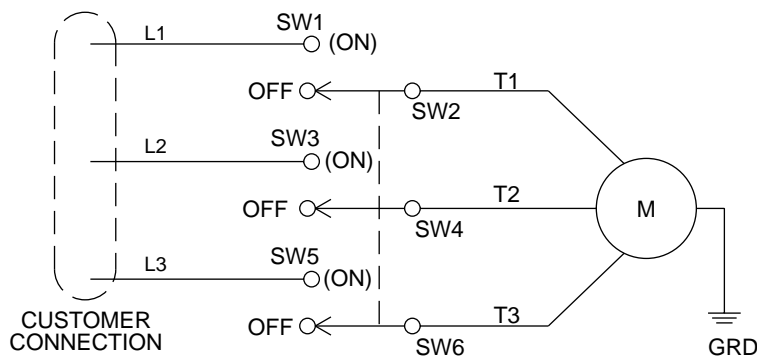
Item No.	Part No.	No. Req'd	Description
1	351667	1	Warning Decal
2	10048	4	Screw, Hex HD Cap (3/8-16 x 7/8)
3	10009	4	Screw, Hex HD Cap (1/4-20 x 3/4)
4	253538	4	Support, Reservoir Flange
5	252646	1	Cap, Filler Breather
6	66146	1	Reservoir (3.5 Gallon)
7	252630	2.33 ft.	Tubing, Plastic
8	252756	3	Clamp, Hose
9	252617	1	Fitting, Hose (1/2-20 UNF)
10	29682	1	Filter
11	253331	1	Magnet
12	59138	1	Motor, Elec (230 V., 60/50 Hz.)
13	352018	1	Decal
14	12409	4	Screw, Round HD (8-32 x 5/8)
15	11388	4	Washer, Tooth Ext (.37 x .17)
16	10196	4	Nut, Hex (8-32)
17	421820	1	Switch, Rotary



### HYDRAULIC SCHEMATIC

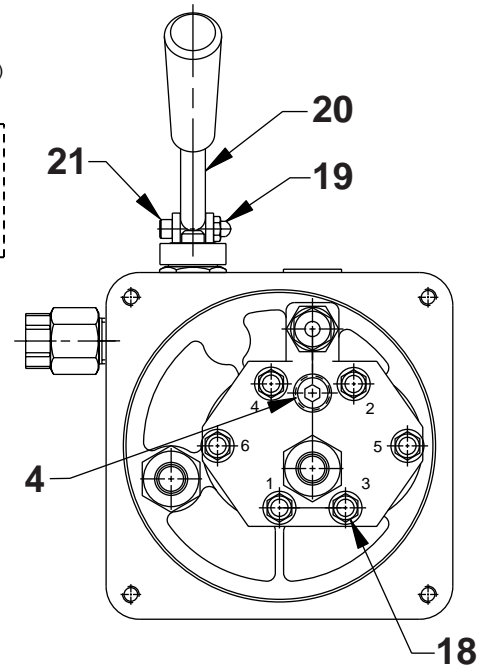
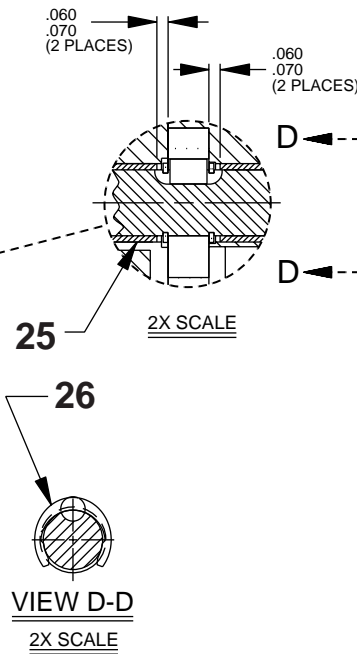
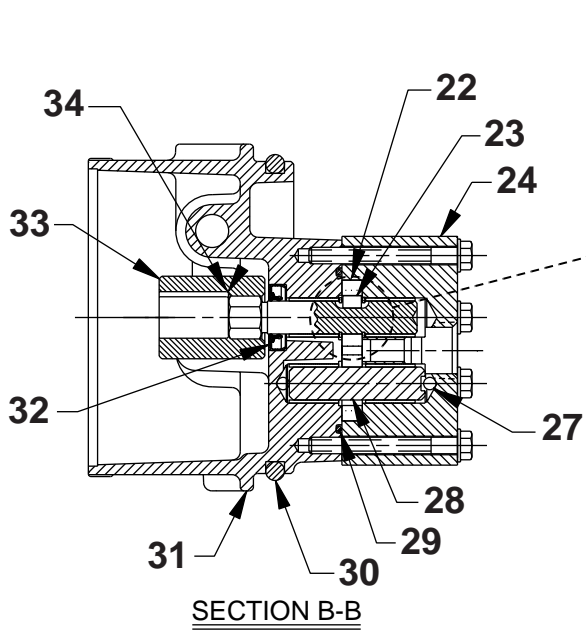
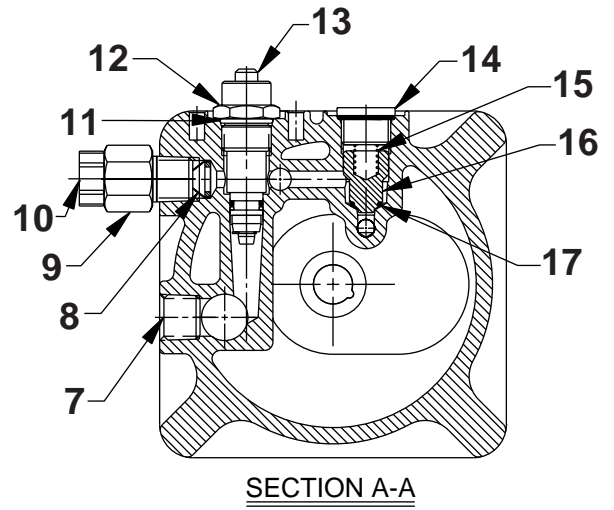
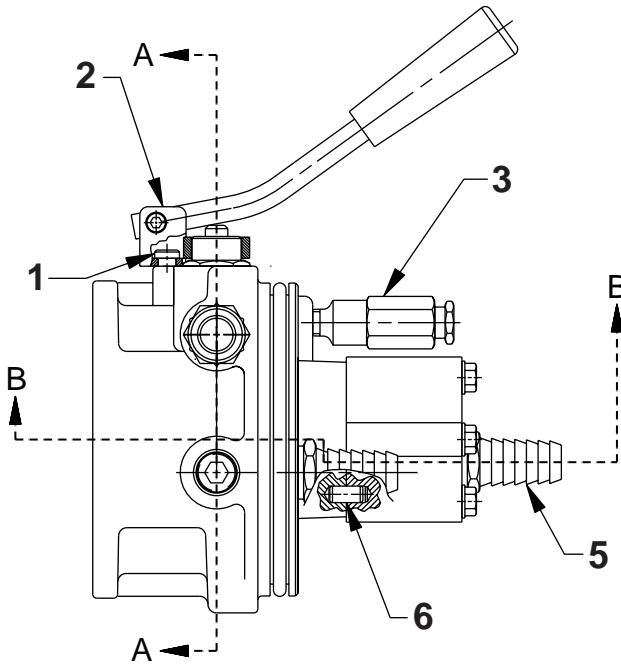


### ELECTRICAL SCHEMATIC



TO REVERSE ROTATION INTERCHANGE  
ANY TWO LINE LEADS

# BASIC PUMP ASSEMBLY



# Parts List, Form No. 108080, Back sheet 2 of 2

Item No.	Part No.	No. Req'd	Description
1	253493	1	Screw, Hx Soc Tap (1/4-20 x .50; Torque to 70 in. lbs.)
2	351963	1	Bracket, Mounting
3	421638-20	1	Valve, Relief (Set at 2,100/2,500 PSI)
4	14972	1	Plug Fitting (1/4 PTF)
5	252618	2	Fitting, Hose (1/2 NPTF)
6	15156	2	Pin, Dowel (.25 x .50)
7	16232	1	Fitting, Plug (3/8 NPTF)
8	253519	1	Filter
9	253491	1	Fitting, Straight (3/8 NPT x 9/16 ORB)
10	250962	1	Fitting, Plug (9/16-18; Plastic)
11	10527	1	O-ring (.81 x .64 Nitrile)
12	351787	1	Cap, Release Valve
13	351633	1	Valve, Release
14	214014	1	Fitting, Plug (1/2 Tube)
15	10425	1	Spring (.37 OD x .75 x .03 WS)
16	351827	1	Body, Poppet
17	14763	1	O-ring (.43 x .31 Urethane)
18	253494	6	Screw, Hx HD Tap (1/4-20 x 2.25; Cross torque to 120 in. lbs. in order shown.)
19	207405	1	Nut, Hex Lock (10-24)
20	351785	1	Handle
21	253086	1	Screw, Socket HD (10-24 x 7/8)
22	421819-2.5	2	Gear
23	253070-2.5	1	Key
24	65918-2.5	1	Body, Pump
25	253071	4	Bearing, Sleeve
26	253072	2	Ring, Retain Ext. (0.44 x .035; Position retaining ring to keyway as shown.)
27	12223	2	Ball (3/16" Dia. Steel)
28	253068	1	Shaft
29	253069	1	O-ring (2.250 x 2.062 Nitrile)
30	252645	1	O-ring (4.750 x 4.375 Nitrile)
31	65738	1	Body, Valve
32	252616	1	Seal, Oil Shaft
33	351625	1	Coupling
34	351627-2.5	1	Shaft



Note: Shaded areas reflect last revision(s) made to this form.