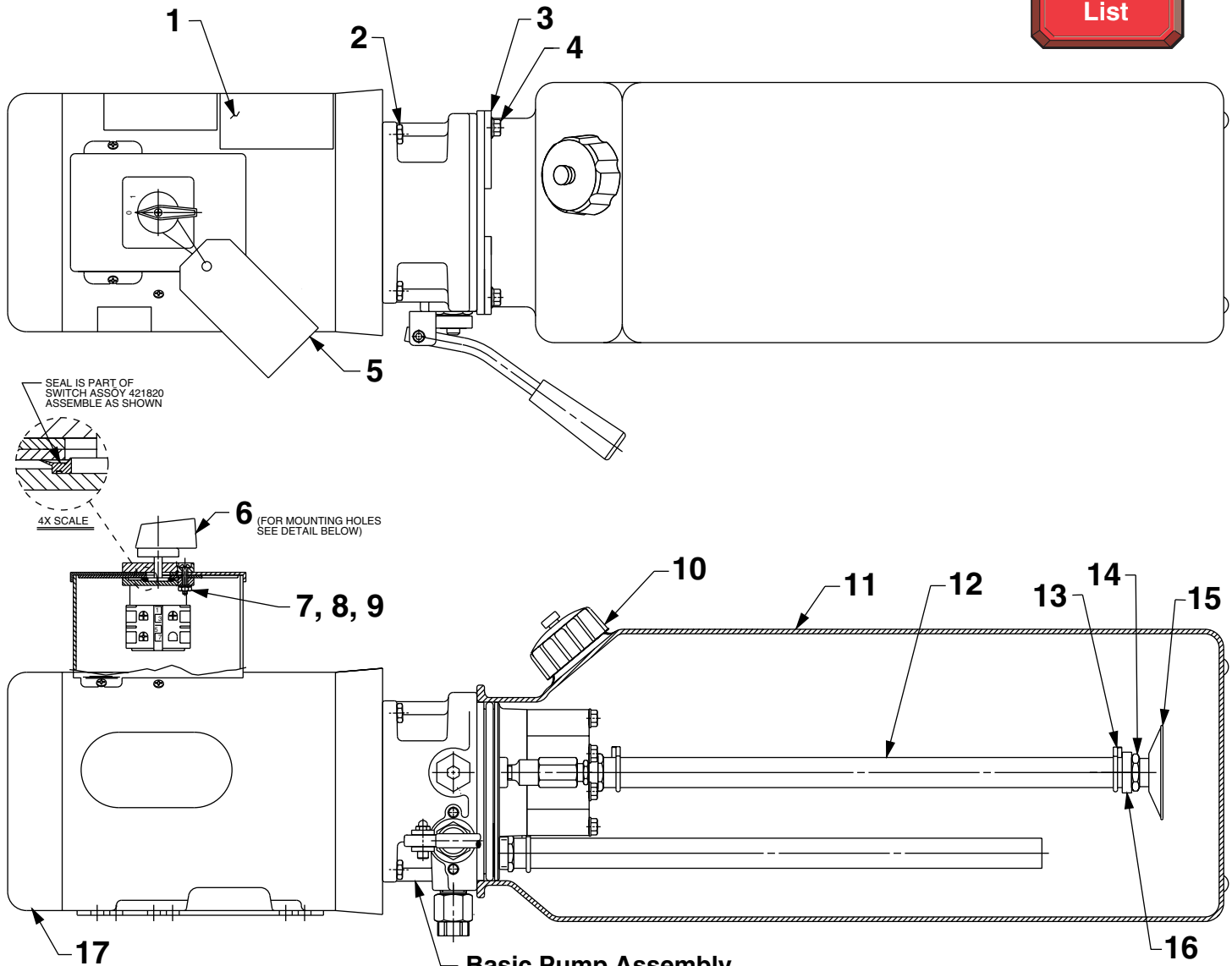
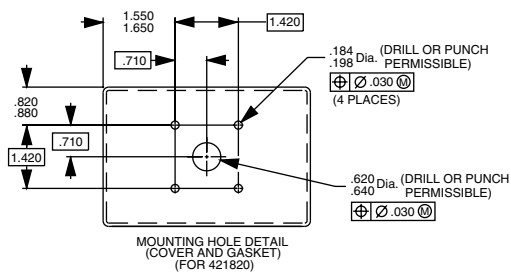


## MODEL D ELECTRIC HYDRAULIC GEAR PUMP



**Basic Pump Assembly**  
See back sheet 2 of 3



## Parts List, Form No. 108082, Back sheet 1 of 3

Item No.	Part No.	No. Req'd	Description
1	351771	1	Decal, Warning
2	10048	4	Screw, Hex Hd Cap (3/8-16 x 7/8)
3	253538	4	Support, Reservoir Flange
4	10009	4	Screw, Hex Hd Cap (1/4-20 x 3/4)
5	16758	1	Tag, Voltage
6	421820	1	Switch, Rotary
7	12409	4	Screw, Round Hd (8-32 x 5/8)
8	11388	4	Washer, Tooth Ext (.37 x .17)
9	10196	4	Nut, Hex (8-32)
10	252646	1	Cap, Filler Breather
11	66146	1	Reservoir (3.5 gallon)
12	252630	2.33'	Tubing, Plastic (Cut 13.75" to 14.25" long)
13	252756	3	Clamp, Hose
14	252617	1	Fitting, Hose (1/2-20 UNF)
15	29682	1	Filter
16	253331	1	Magnet
17	59392	1	Motor, Electric (230/460V. 60/50 Hz.)

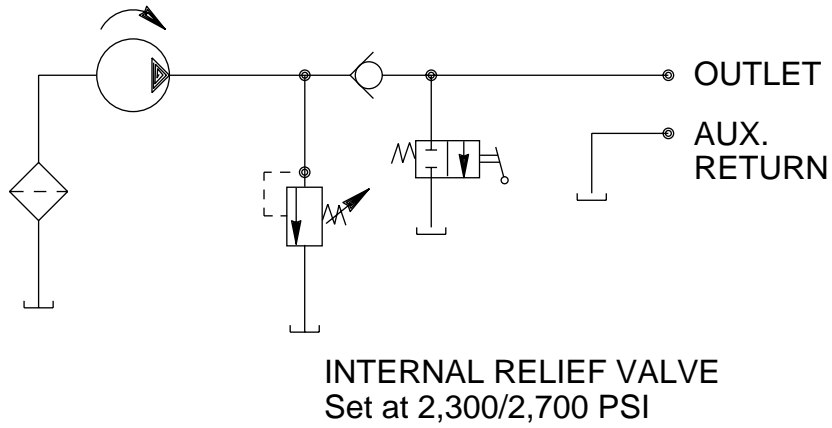


Refer to any operating instructions included with this product for detailed information about operation, testing, disassembly, reassembly, and preventive maintenance.

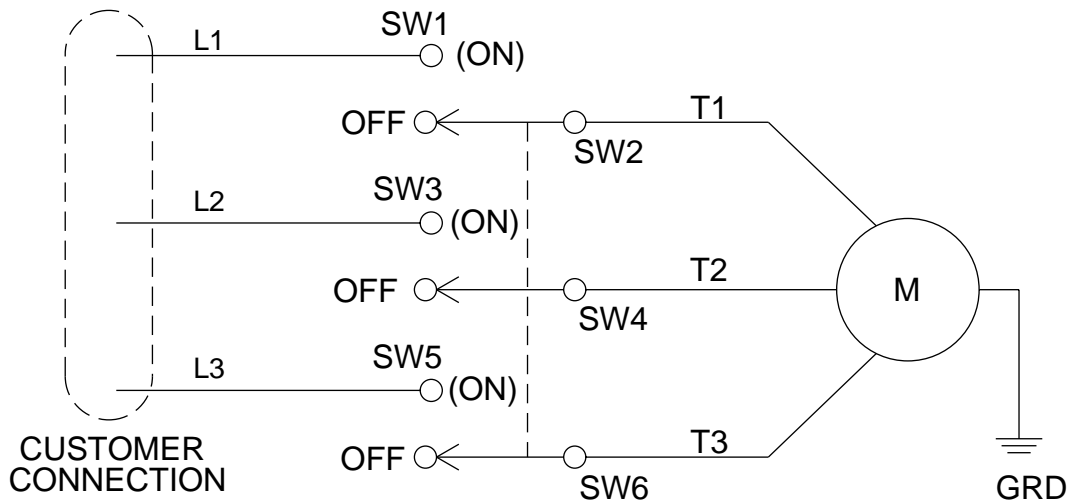
Items found in this parts list have been carefully tested and selected. **Therefore: Use only genuine Power Team replacement parts!**

Additional questions can be directed to our Technical Services Department.

### HYDRAULIC SCHEMATIC



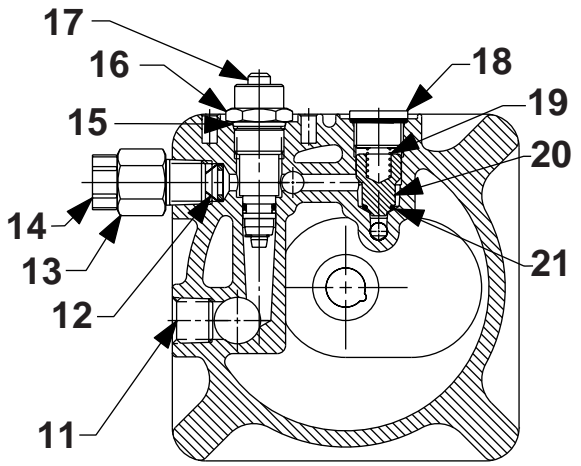
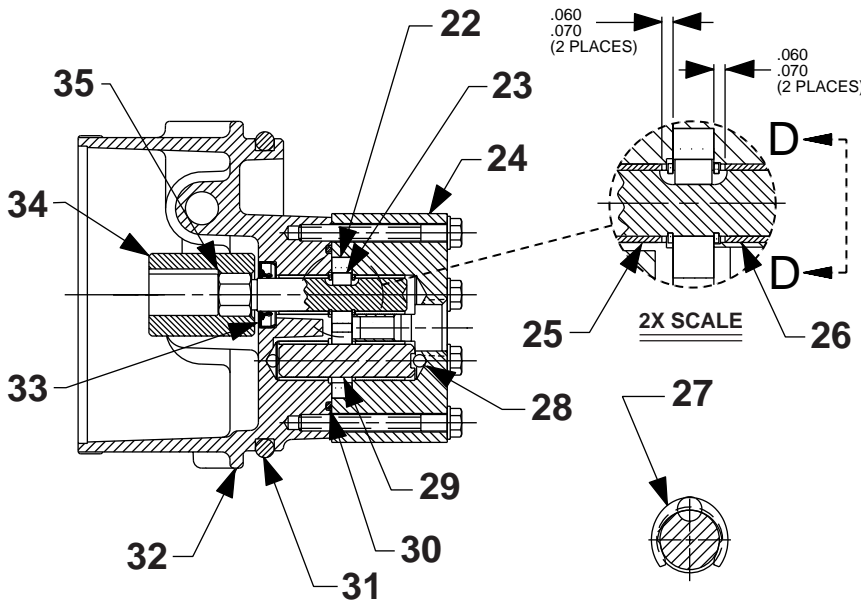
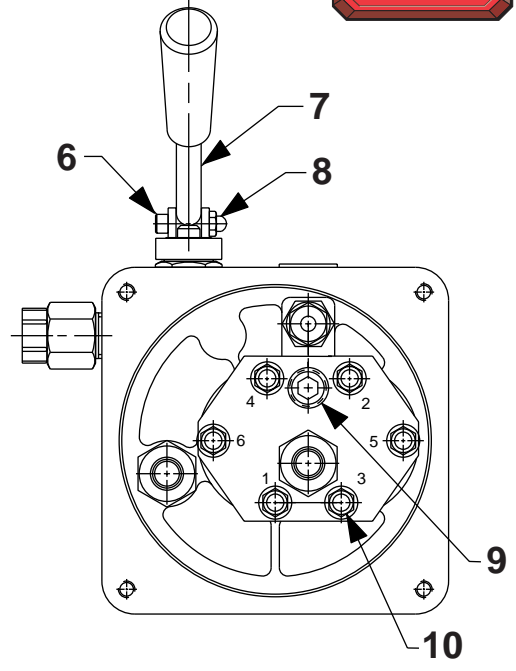
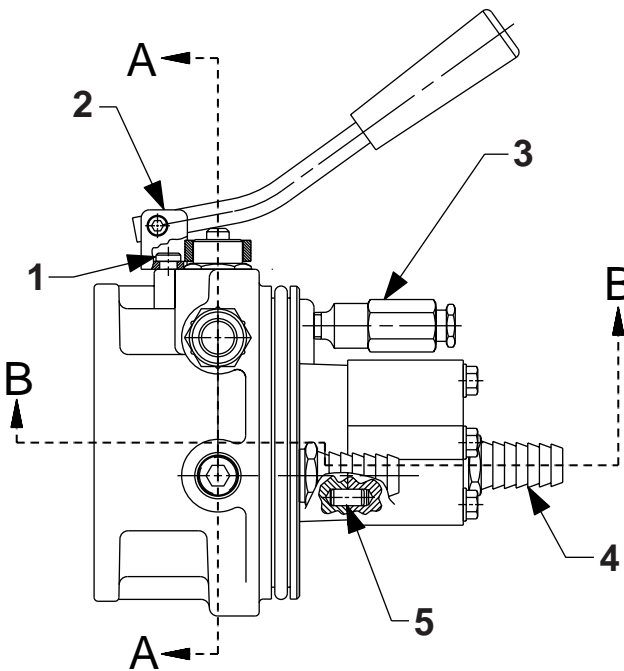
### ELECTRICAL SCHEMATIC



TO REVERSE ROTATION INTERCHANGE  
ANY TWO LINE LEADS

# BASIC PUMP ASSEMBLY

To Parts List



SECTION B-B

VIEW D-D  
2X SCALE

SECTION A-A

Item No.	Part No.	No. Req'd	Description
1	253493	1	Screw, Hx Soc Tap (1/4-20 x .50; Torque to 70 in. lbs.)
2	351963	1	Bracket, Mounting
3	421638-22	1	Valve, Relief (Set at 2,300/2,700 PSI)
4	252618	2	Fitting, Hose (1/2 NPTF)
5	15156	2	Pin, Dowel (.25 x .50)
6	253086	1	Screw, Socket (10-24 x 7/8)
7	351785	1	Handle
8	207405	1	Nut, Hex Lock (10-24)
9	14972	1	Fitting, Plug (1/4 PTF)
10	253494	6	Screw, Hx HD Tap (1/4-20 x 2.25; Cross torque to 120 in. lbs. in order shown.)
11	16232	1	Fitting, Plug (3/8 PTF)
12	253519	1	Filter
13	253491	1	Fitting, Straight (3/8 NPT x 9/16 ORB)
14	250962	1	Fitting, Plug (9/16-18 Plastic)
15	10527	1	O-ring (.81 x .64 Nitrile)
16	351787	1	Cap, Release Valve
17	351633	1	Valve, Release
18	214014	1	Fitting, Plug (1/2 Tube)
19	10425	1	Spring (.37 OD x .75 x .03 WS)
20	351827	1	Body, Poppet
21	14763	1	O-ring (.43 x .31 Urethane)
22	421819-3.2	2	Gear
23	253070-3.2	1	Key
24	65918-3.2	1	Body, Pump
25	253071	2	Bearing, Sleeve
27	253072	2	Ring, Retain Ext. (0.44 x .035; Position retaining ring to keyway as shown.)
28	12223	2	Ball (3/16" Dia. Steel)
29	253068	1	Shaft
30	253069	1	O-ring (2.250 x 2.062 Nitrile)
31	252645	1	O-ring (4.750 x 4.375 Nitrile)
32	65738	1	Body, Valve
33	252616	1	Seal, Oil Shaft
34	351625	1	Coupling
35	351627-1.6	1	Shaft

