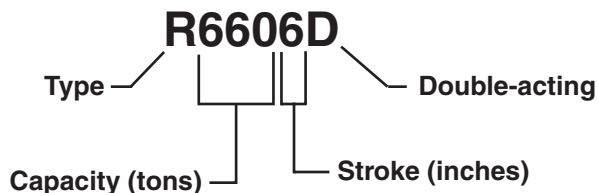


SINGLE-ACTING, GRAVITY RETURN, WITHOUT LOCKING COLLAR HYDRAULIC CYLINDER


Max. Capacity: (See chart below)

Product Part No. Definition

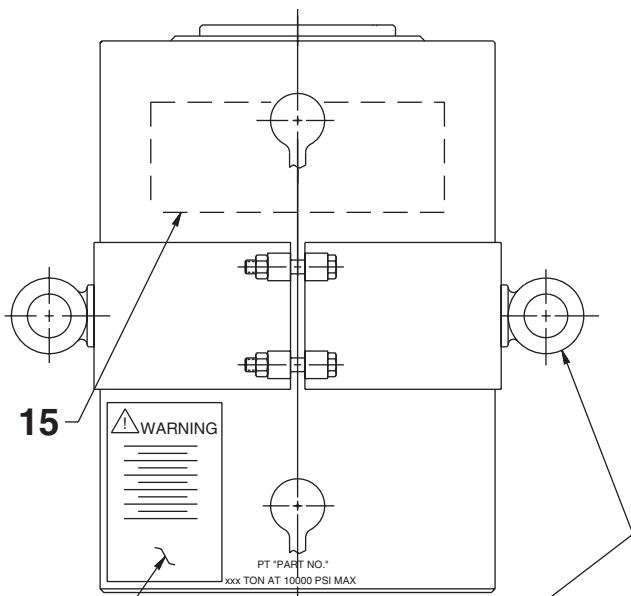


CAPACITY PER PART NO.	TONS AT 10,000 PSI MAX.
660	663.7
770	769.7
910	913.3
1100	1135

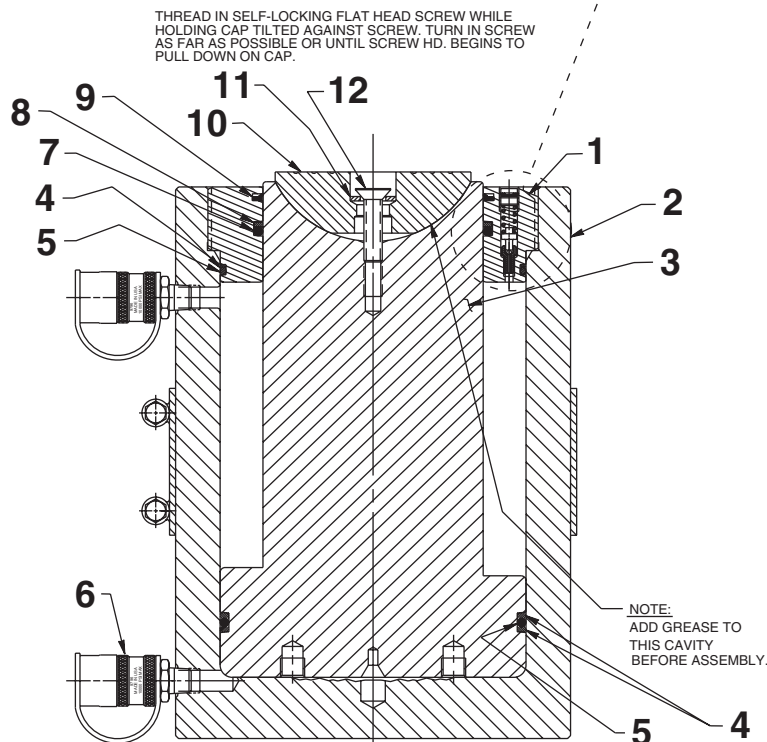
Double-Acting Cylinder Relief Valve



See Important DANGER statement on back of sheet 1 of 2.



NOTE: 13
ASSEMBLE HANDLE APPROX. 1/2" ABOVE CENTER OF GRAVITY. POSITION HANDLE SO THAT COUPLER IS IN A PROTECTED POSITION DURING SHIPPING AND WHEN LIFTING.



R660D Series

Item No.	Part No.	No. Req'd	Description
1	66236-660	1	Retainer Nut
2	66237-660-Stroke	1	Cylinder Body
3	66238-660-Stroke	1	Piston Rod
4	253656	3	Backup Washer (13.00 x 12.50)
5	253655	2	O-ring (13.00 x 12.50 Nitrile)
6	9796	2	Ram Half Coupler
7	253651	1	O-ring (11.00 x 10.50 Nitrile)
8	253652	1	Backup Washer (11.00 x 10.50)
9	253647	1	Rod Wiper (11.00 x 10.50 Urethane)
10	59394	1	Swivel Cap
11	13324	1	Washer (1.33 x .66)
12	251559	1	Screw (3/8-16UNC X 4-1/4 Lg.)
13	66285	1	Handle
14	37782	1	Warning Decal
15	309221CE	1	Trade Name Decal

R770D Series

Item No.	Part No.	No. Req'd	Description
1	66236-770	1	Retainer Nut
2	66237-770-Stroke	1	Cylinder Body
3	66238-770-Stroke	1	Piston Rod
4	253658	3	Backup Washer (14.00 x 13.50)
5	253657	2	O-ring (14.00 x 13.50 Nitrile)
6	9796	2	Ram Half Coupler
7	253653	1	O-ring (12.00 x 11.50 Nitrile)
8	253692	1	Backup Washer (12.00 x 11.50)
9	253648	1	Rod Wiper (12.00 x 11.50 Urethane)
10	59417	1	Swivel Cap
11	13324	1	Washer (1.33 x .66)
12	251559	1	Screw (3/8-16UNC X 4-1/4 Lg.)
13	66286	1	Handle
14	37782	1	Warning Decal
15	309221CE	1	Trade Name Decal

NOTE: Both o-ring and backup washer must be replaced when repairing these cylinders!



WARNING To help avoid possible serious personal injury or death,

- In the event that the cylinder retract port is ever restricted or plugged, a double-acting cylinder relief valve will help prevent excessive pressure from building in the cylinder. DO NOT attempt to adjust or service this relief valve! If oil leakage is detected from this relief valve, discontinue use of the cylinder immediately and contact Power Team Technical Services. Only Power Team Authorized Hydraulic Service Centers should service this relief valve.

R910D Series

Item No.	Part No.	No. Req'd	Description
1	66236-910	1	Retainer Nut
2	66237-910-Stroke	1	Cylinder Body
3	66238-910-Stroke	1	Piston Rod
4	253660	3	Backup Washer (15.00 x 14.50)
5	253659	2	O-ring (15.00 x 14.50 Nitrile)
6	9796	2	Ram Half Coupler
7	253655	1	O-ring (13.00 x 12.50 Nitrile)
8	253656	1	Backup Washer (13.00 x 12.50)
9	253649	1	Rod Wiper (13.00 x 12.50 Urethane)
10	59390	1	Swivel Cap
11	13324	1	Washer (1.33 x .66)
12	253691	1	Screw (3/8-16UNC X 5" Lg.)
13	66287	1	Handle
14	37782	1	Warning Decal
15	309221CE	1	Trade Name Decal

R1100D Series

Item No.	Part No.	No. Req'd	Description
1	66236-1100	1	Retainer Nut
2	66237-1100-Stroke	1	Cylinder Body
3	66238-1100-Stroke	1	Piston Rod
4	253662	3	Backup Washer (17.00 X 16.50)
5	253661	2	O-ring (17.00 X 16.50 Nitrile)
6	9796	2	Ram Half Coupler
7	253657	1	O-ring (14.00 x 13.50 Nitrile)
8	253658	1	Backup Washer (14.00 x 13.50)
9	253650	1	Rod Wiper (14.00 x 13.50 Urethane)
10	59418	1	Swivel Cap
11	13324	1	Washer (1.33 x .66)
12	253691	1	Screw (3/8-16UNC X 5" Lg.)
13	66288	1	Handle
14	37782	1	Warning Decal
15	309221	1	Trade Name Decal

NOTE: Both o-ring and backup washer must be replaced when repairing these cylinders!

Refer to any operating instructions included with this product for detailed information about operation, testing, disassembly, reassembly, and preventive maintenance.

Items found in this parts list have been carefully tested and selected. **Therefore: Use only genuine Power Team replacement parts!**

Additional questions can be directed to our Technical Services Department.