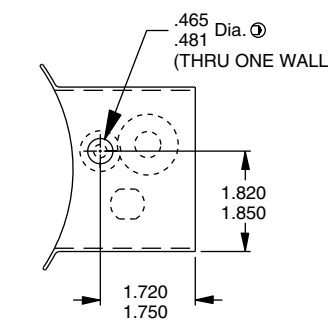
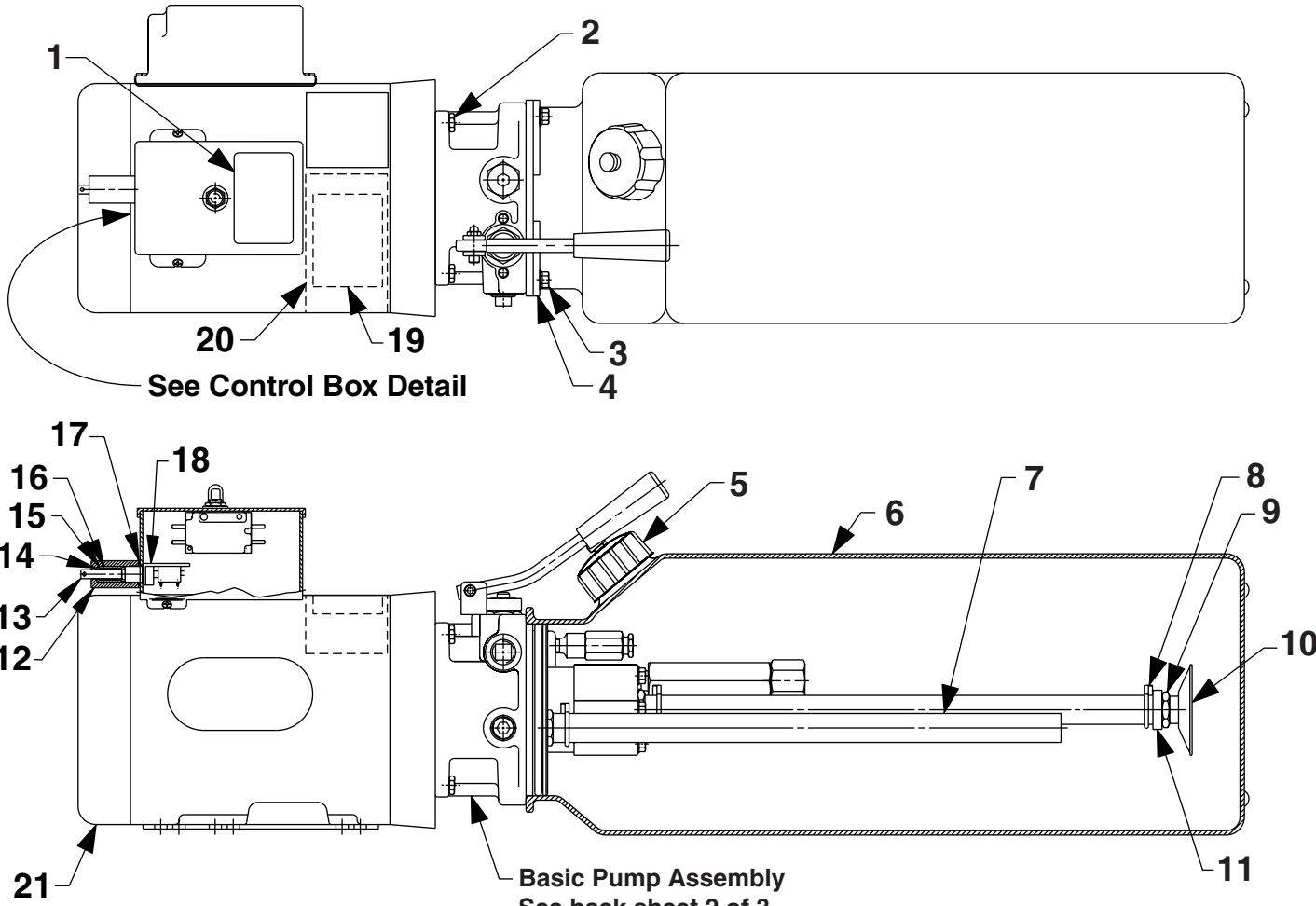


MODEL E
ELECTRIC HYDRAULIC GEAR PUMP



CONTROL BOX DETAIL

Parts List, Form No. 108109, Back sheet 1 of 3

Item No.	Part No.	No. Req'd	Description
1	253108	1	Decal, Label Controls
2	10048	4	Screw, Hex HD Cap (3/8-16 x 7/8)
3	10009	4	Screw, Hex HD Cap (1/4-20 x 3/4)
4	253538	4	Support, Reservoir Flange
5	252646	1	Cap, Filler Breather
6	66146	1	Reservoir (3.5 Gallon)
7	252630	2.33 ft.	Tubing, Plastic
8	252756	3	Clamp, Hose
9	252617	1	Fitting, Hose (1/2-20 UNF)
10	29682	1	Filter
11	253331	1	Magnet
12	253695	1	Sleeve (NOTE: Tighten 1/8 turn maximum past hand tight to prevent breaking switch!)
13	253696	1	Pin, Clevis (.25 x 1.12)
14	10266	1	O-ring (.37 x .25 Nitrile)
15	10442	1	Washer, Copper (.37 x .25)
16	10362	1	Spring (.37 OD x .75 x .05 ws)
17	10301	1	O-ring (.62 x .50 Nitrile)
18	352090	1	Switch, Push Button
19	351771	1	Decal, Warning (For A073140 & A093020)
20	351667	1	Decal, Warning (For A73141)
21	501018	1	Motor, Elec (208/230 V.; 60 Hz.)
			PARTS INCLUDED BUT NOT SHOWN
	351867	2	Wire Assembly

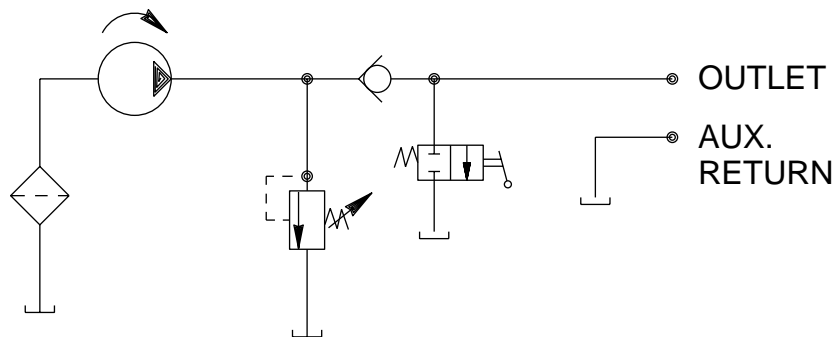


Refer to any operating instructions included with this product for detailed information about operation, testing, disassembly, reassembly, and preventive maintenance.

Items found in this parts list have been carefully tested and selected. **Therefore: Use only genuine Power Team replacement parts!**

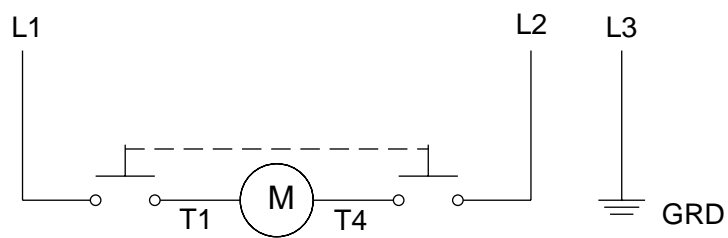
Additional questions can be directed to our Technical Services Department.

HYDRAULIC SCHEMATIC

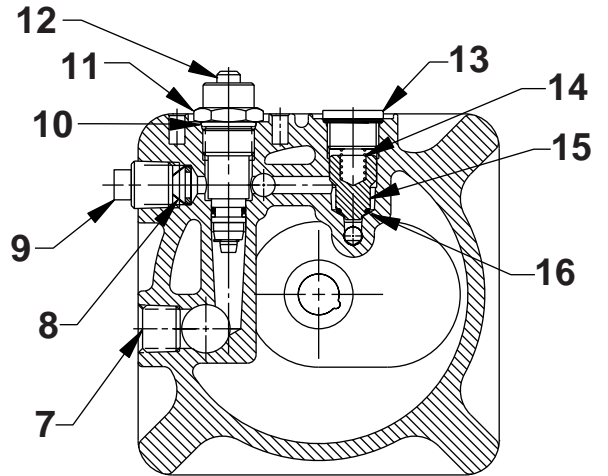
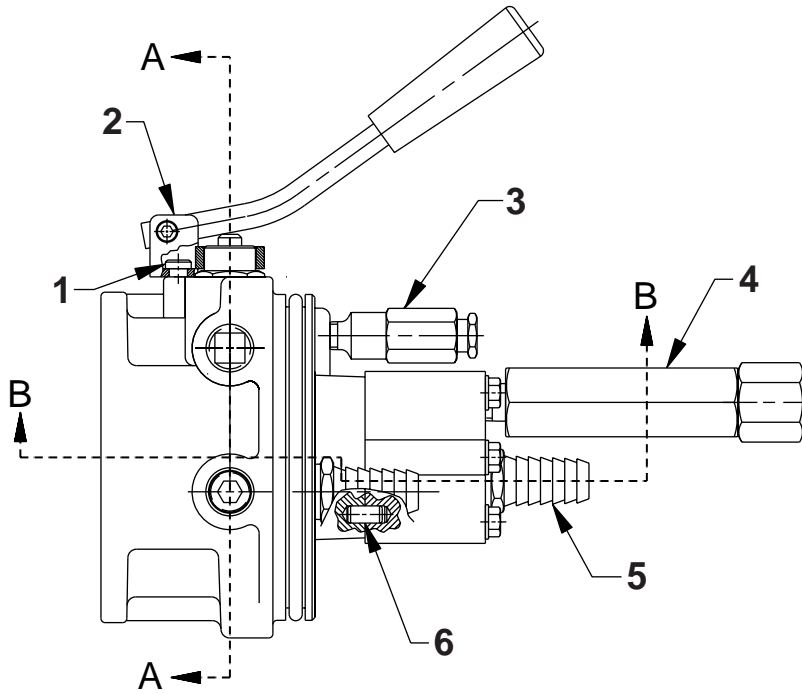


INTERNAL RELIEF VALVE
 Set at 2,200/2,600 PSI - For A073140
 Set at 2,300/2,700 PSI - For A093020
 Set at 2,400/2,800 PSI - For A73141

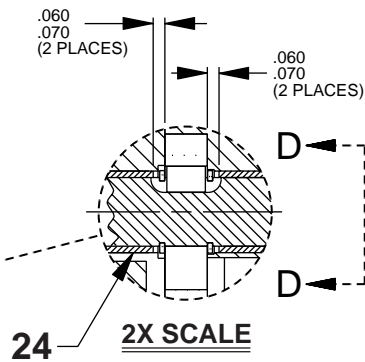
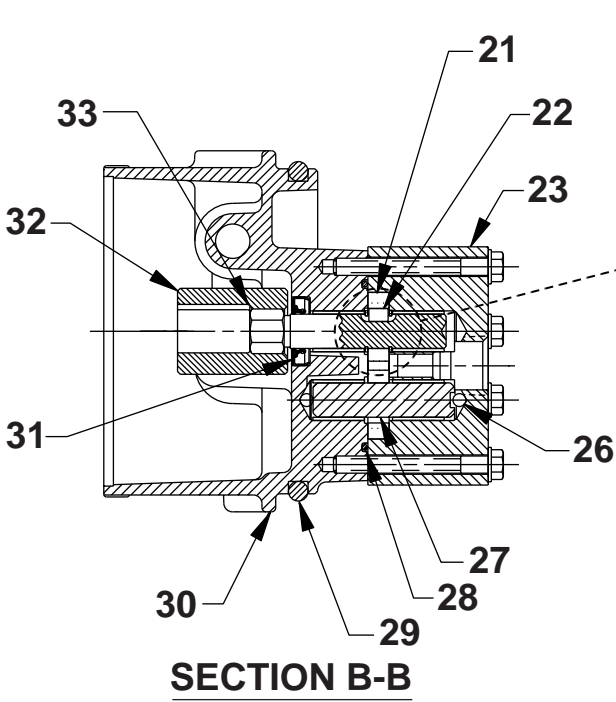
ELECTRICAL SCHEMATIC



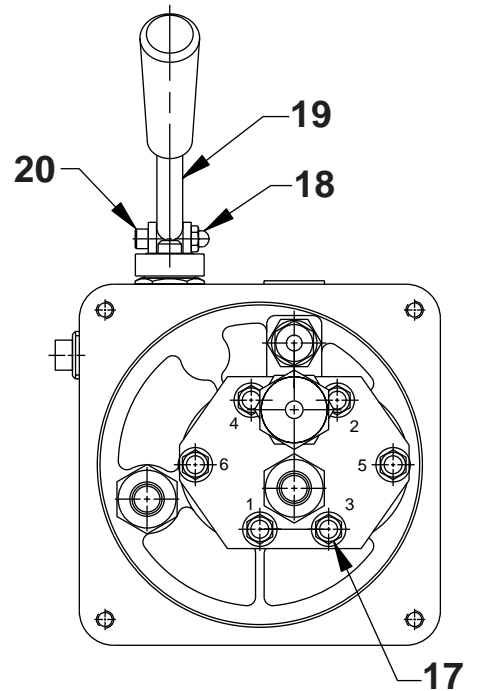
BASIC PUMP ASSEMBLY



SECTION A-A



VIEW D-D
2X SCALE



17

Item No.	Part No.	No. Req'd	Description
1	253493	1	Screw, Hx Soc Tap (1/4-20 x .50; Torque to 70 in. lbs.)
2	351963	1	Bracket, Mounting
3	421638-21	1	Valve, Relief (Set at 2,200/2,600 PSI; For A073140)
	421638-22	1	Valve, Relief (Set at 2,300/2,700 PSI; For A093020)
	421638-23	1	Valve, Relief (Set at 2,400/2,800 PSI; For A73141)
4	351834	1	Valve, Soft Start
5	252618	2	Fitting, Hose (1/2 NPTF)
6	15156	2	Pin, Dowel (.25 x .50)
7	16232	1	Fitting, Plug (3/8 PTF)
8	253519	1	Filter
9	13273	1	Fitting, Plug (3/8 NPT)
10	10527	1	O-ring (.81 x .64 Nitrile)
11	351787	1	Cap, Release Valve
12	351633	1	Valve, Release
13	214014	1	Fitting, Plug (1/2 Tube)
14	10425	1	Spring (.37 OD x .75 x .03 WS)
15	351827	1	Body, Poppet
16	14763	1	O-ring (.43 x .31 Urethane)
17	253494	6	Screw, Hx HD Tap (1/4-20 x 2.25; Cross torque to 120 in. lbs. in order shown in illustration)
18	207405	1	Nut, Hex Lock (10-24)
19	351785	1	Handle
20	253086	1	Screw, Socket HD (10-24 x 7/8)
21	421819-2.5	2	Gear
22	253070-2.5	1	Key
23	65918-2.5	1	Body, Pump
24	253071	4	Bearing, Sleeve
25	253072	2	Ring, Retain Ext (0.44 x .035; Position retaining ring to keyway as shown.)
26	12223	2	Ball (3/16" Dia. Steel)
27	253068	1	Shaft
28	253069	1	O-ring (2.250 x 2.062 Nitrile)
29	252645	1	O-ring (4.750 x 4.375 Nitrile)
30	65738	1	Body, Valve
31	252616	1	Seal, Oil Shaft
32	351625	1	Coupling
33	351627-2.5	1	Shaft

