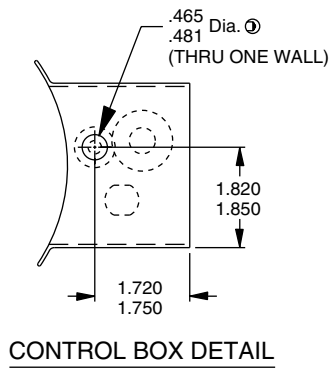
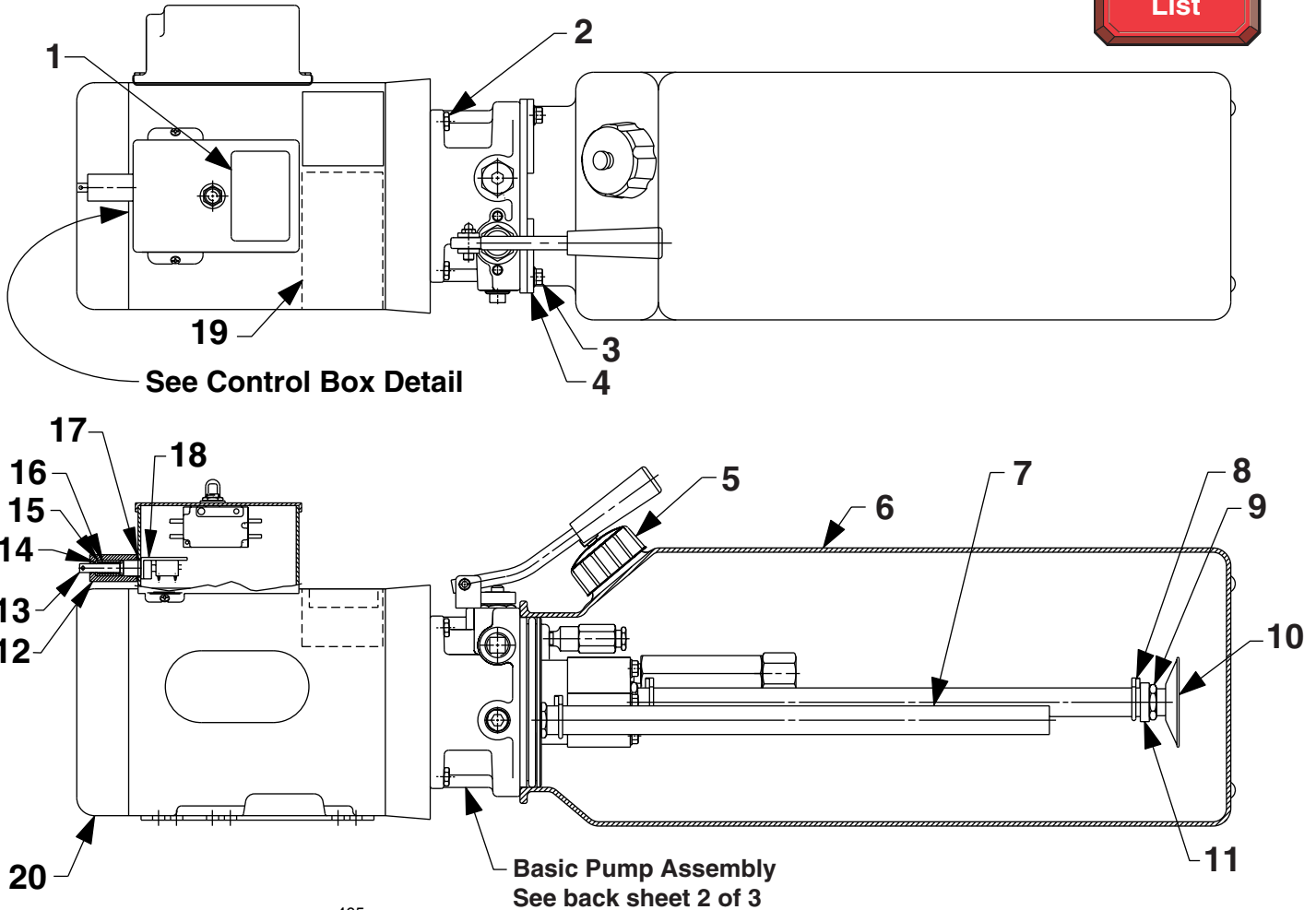


**MODEL E
ELECTRIC HYDRAULIC GEAR PUMP**



Item No.	Part No.	No. Req'd	Description
1	253108	1	Decal, Label Controls
2	10048	4	Screw, Hex HD Cap (3/8-16 x 7/8)
3	10009	4	Screw, Hex HD Cap (1/4-20 x 3/4)
4	253538	4	Support, Reservoir Flange
5	252646	1	Cap, Filler Breather
6	66146	1	Reservoir (3.5 Gallon)
7	252630	2.33 ft.	Tubing, Plastic
8	252756	3	Clamp, Hose
9	252617	1	Fitting, Hose (1/2-20 UNF)
10	29682	1	Filter
11	253331	1	Magnet
12	253695	1	Sleeve (NOTE: Tighten 1/8 turn maximum past hand tight to prevent breaking switch!)
13	253696	1	Pin, Clevis (.25 x 1.12)
14	10266	1	O-ring (.37 x .25 Nitrile)
15	10442	1	Washer, Copper (.37 x .25)
16	10362	1	Spring (.37 OD x .75 x .05 ws)
17	10301	1	O-ring (.62 x .50 Nitrile)
18	352090	1	Switch, Push Button
19	351667	1	Decal, Warning (For A73141)
20	501018	1	Motor, Elec (208/230 V.; 60 Hz.)



PARTS INCLUDED BUT NOT SHOWN

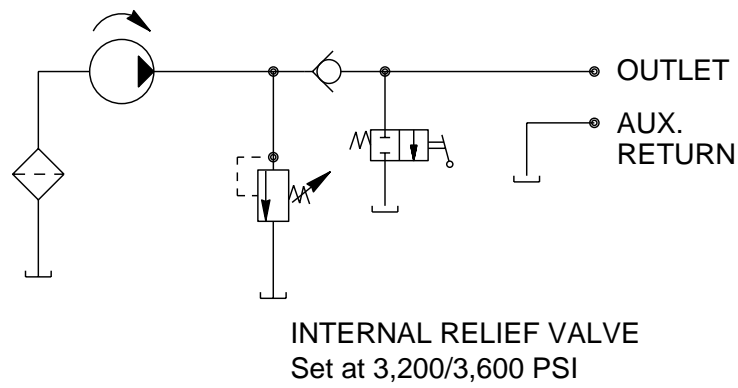
351867	2	Wire Assembly
---------------	---	---------------

Refer to any operating instructions included with this product for detailed information about operation, testing, disassembly, reassembly, and preventive maintenance.

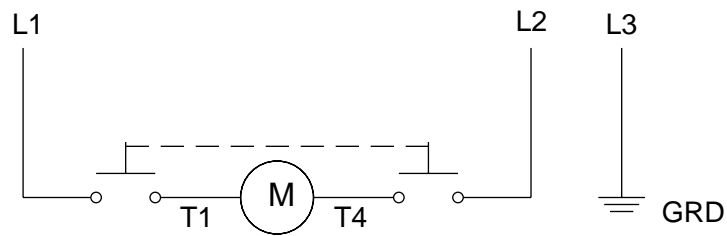
Items found in this parts list have been carefully tested and selected. **Therefore: Use only genuine Power Team replacement parts!**

Additional questions can be directed to our Technical Services Department.

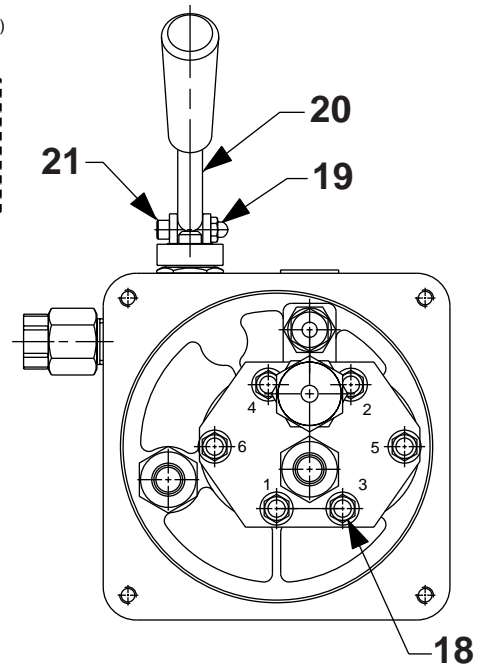
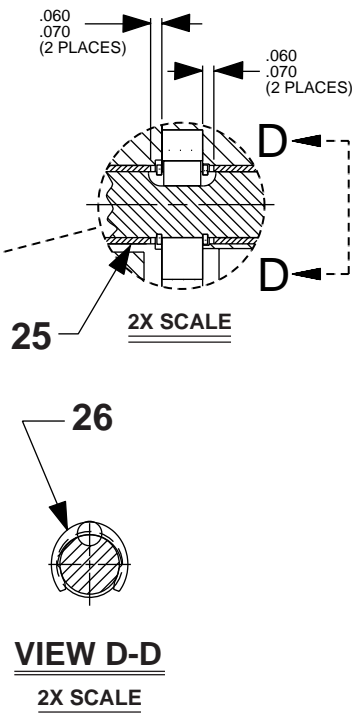
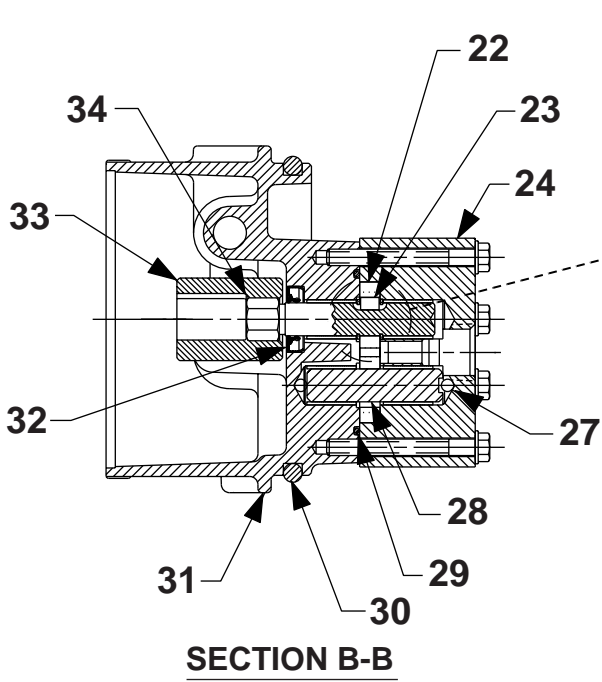
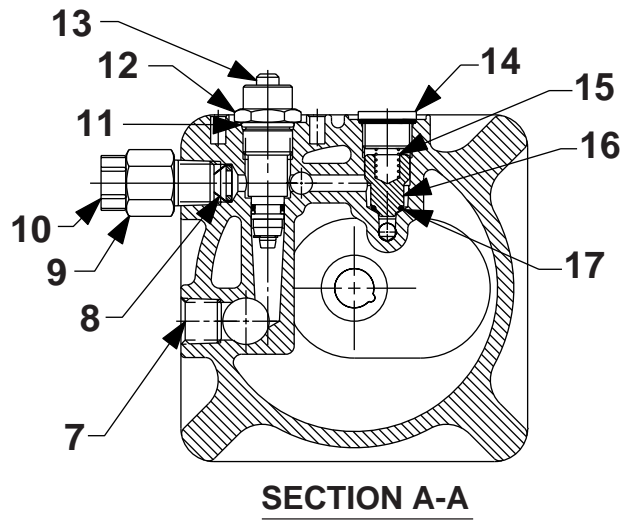
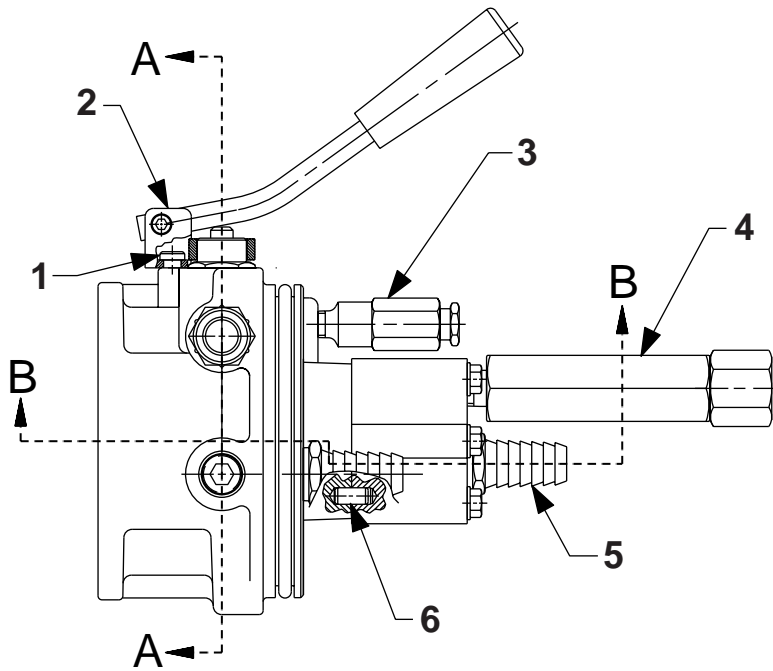
HYDRAULIC SCHEMATIC



ELECTRICAL SCHEMATIC



BASIC PUMP ASSEMBLY



Item No.	Part No.	No. Req'd	Description
1	253493	1	Screw, Hx Soc Tap (1/4-20 x .50; Torque to 70 in. lbs.)
2	351963	1	Bracket, Mounting
3	421638-31	1	Valve, Relief (Set at 3,200/3,600 PSI)
4	351834	1	Valve, Soft Start
5	252618	2	Fitting, Hose (1/2 NPTF)
6	15156	2	Pin, Dowel (.25 x .50)
7	16232	1	Fitting, Plug (3/8 PTF)
8	253519	1	Filter
9	253491	1	Fitting, Straight (3/8 NPT x 9/16 ORB)
10	250962	1	Fitting, Plug (9/16-18 Plastic)
11	10527	1	O-ring (.81 x .64 Nitrile)
12	351787	1	Cap, Release Valve
13	351633	1	Valve, Release
14	214014	1	Fitting, Plug (1/2 Tube)
15	10425	1	Spring (.37 OD x .75 x .03 WS)
16	351827	1	Body, Poppet
17	14763	1	O-ring (.43 x .31 Urethane)
18	253494	6	Screw, Hx HD Tap (1/4-20 x 2.25; Cross torque to 120 in. lbs. in order shown.)
19	207405	1	Nut, Hex Lock (10-24)
20	351785	1	Handle
21	253086	1	Screw, Socket (10-24 x 7/8)
22	421819-2.0	2	Gear
23	253070-2.0	1	Key
24	65918-2.0	1	Body, Pump
25	253071	4	Bearing, Sleeve
26	253072	2	Ring, Retain Ext. (0.44 x .035; Position retaining ring to keyway as shown.)
27	12223	2	Ball (3/16" Dia. Steel)
28	253068	1	Shaft
29	253069	1	O-ring (2.250 x 2.062 Nitrile)
30	252645	1	O-ring (4.750 x 4.375 Nitrile)
31	65738	1	Body, Valve
32	252616	1	Seal, Oil Shaft
33	351625	1	Coupling
34	351627-2.0	1	Shaft



PARTS INCLUDED BUT NOT SHOWN

13273 1 Fitting, Plug (3/8 NPT)