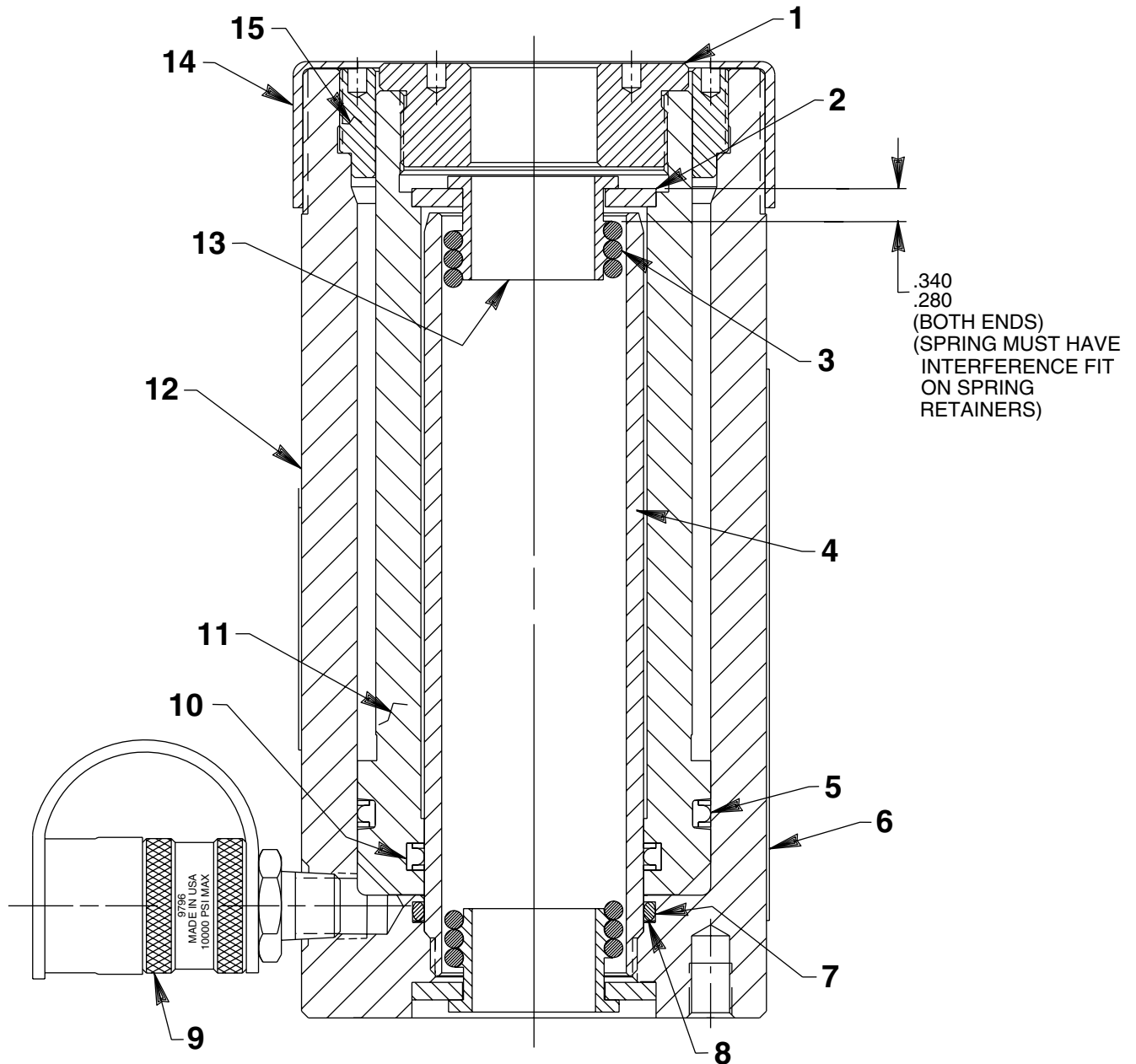


MODEL B
SINGLE-ACTING, HOLLOW CENTER, SPRING RETURN
HYDRAULIC CYLINDER
 Max. Capacity: 31.7 Tons at 10,000 PSI



Item No.	Part No.	No. Req'd	Description
1	38905	1	Plain Insert
2	205106	4	Spring Lock
3	250304	1	Extension Spring
4	351373	1	Standpipe (Bottom out and back off [.01] 1/8 revolution. Apply primer and Loctite 242.)
5	*19826	1	T-seal & Backup Rings (Smooth side of backup ring must be against seal.)
	†19827	1	T-seal & Backup Rings (Smooth side of backup ring must be against seal.)
6	360018	1	Trade Name Decal
7	*10295	1	O-ring (2.50 x 2.25 Nitrile)
	†19040	1	O-ring (2.50 x 2.25 Viton)
8	†*19148	1	Backup Washer (2.50 x 2.25)
9	9796	1	Ram Half Coupler w/Dust Cap
10	*19824	1	T-seal & Backup Rings (Smooth side of backup ring must be against seal.)
	†19825	1	T-seal & Backup Rings (Smooth side of backup ring must be against seal.)
11	58066	1	Piston Rod
12	65375	1	Cylinder Body
13	38903	2	Spring Retainer
14	421273	1	Thread Protector
15	38906	1	Gland Nut

PARTS INCLUDED BUT NOT SHOWN

*203908	1	Warning Decal
†19526	1	O-ring (1" x 3/4 x 1/8; For coupler)
†205724	1	Decal (Viton)

Part numbers marked with an asterisk (*) are contained in Repair Kit No. 300037.
Part numbers marked with a dagger (†) are contained in Viton Seal Kit No. 300223.

Refer to any operating instructions included with this product for detailed information about operation, testing, assembly, reassembly, and preventive maintenance.

Items found in this parts list have been carefully tested and selected. **Therefore: Use only genuine Power Team replacement parts!**

Additional questions can be directed to our Technical Services Department.