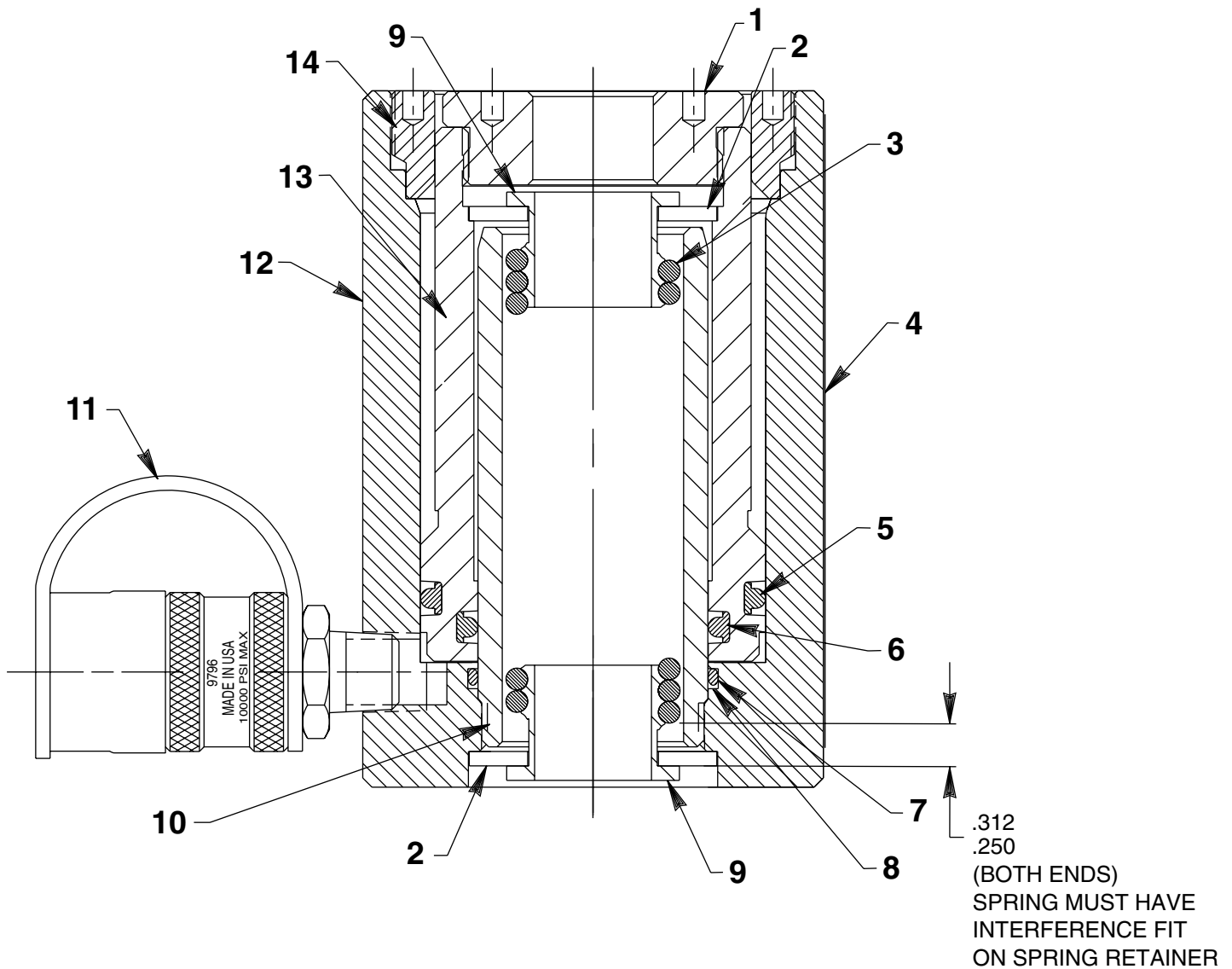


Parts List for:

421937  
RH203  
RH203-PFAFF

**MODEL D**  
**SINGLE-ACTING, HOLLOW CENTER, SPRING RETURN**  
**HYDRAULIC CYLINDER**  
Max. Capacity: 19.6 Tons At 10,000 PSI



# Parts List, Form No. 108131, Back sheet 1 of 1

Item No.	Part No.	No. Req'd	Description
1	28611	1	Insert
2	205122	4	Upper Spring Lock
3	14244	1	Extension Spring
4	360027	1	Trade Name Decal (For RH203)
5	*14243	1	T-seal & Backup Rings (Smooth side of Backup Ring must be against seal.)
	†19241	1	T-seal & Backup Rings (Smooth side of Backup Ring must be against seal.)
6	*14242	1	T-seal & Backup Rings (Smooth side of Backup Ring must be against seal.)
	†19239	1	T-seal & Backup Rings (Smooth side of Backup Ring must be against seal.)
7	*11895	1	O-ring (2.18 x 2.00 Nitrile)
	†19017	1	O-ring (2.18 x 2.00 Viton)
8	205990	1	Backup Washer (2.19 x 2.00)
9	28608	2	Spring Retainer
10	360026	1	Standpipe (Bottom out and back off [.01] revolution. Apply primer and Loctite 242.)
11	9796	1	Ram Half Coupler w/ Dust Cap (For RH203 & RH203-PFAFF)
	9796	2	Ram Half Coupler w/ Dust Cap
	9771	1	Double Tee Adapter
	9683	1	Male Connector
12	422021	1	Cylinder Body
13	34111	1	Piston Rod
14	28607	1	Gland Nut (Torque to 60/80 ft. lbs.)

} For 421937

### PARTS INCLUDED BUT NOT SHOWN

†19526	1	O-ring (Visible coupler seal)
†205724	1	Decal (Viton)
252184	1	Trade Name Decal (For RH203-PFAFF)
252017	1	Decal/Serial (For RH203-PFAFF)
*203908	1	Warning Decal
203908-CE	1	Warning Decal (For RH203-PFAFF)

Part numbers marked with an asterisk (\*) are contained in Repair Kit No. 300069.  
Part numbers marked with a dagger (†) are contained in Viton Repair Kit No. 300222.

Refer to any operating instructions included with this product for detailed information about operation, testing, disassembly, reassembly, and preventive maintenance.

Items found in this parts list have been carefully tested and selected. **Therefore: Use only genuine Power Team replacement parts!**

Additional questions can be directed to our Technical Services Department.