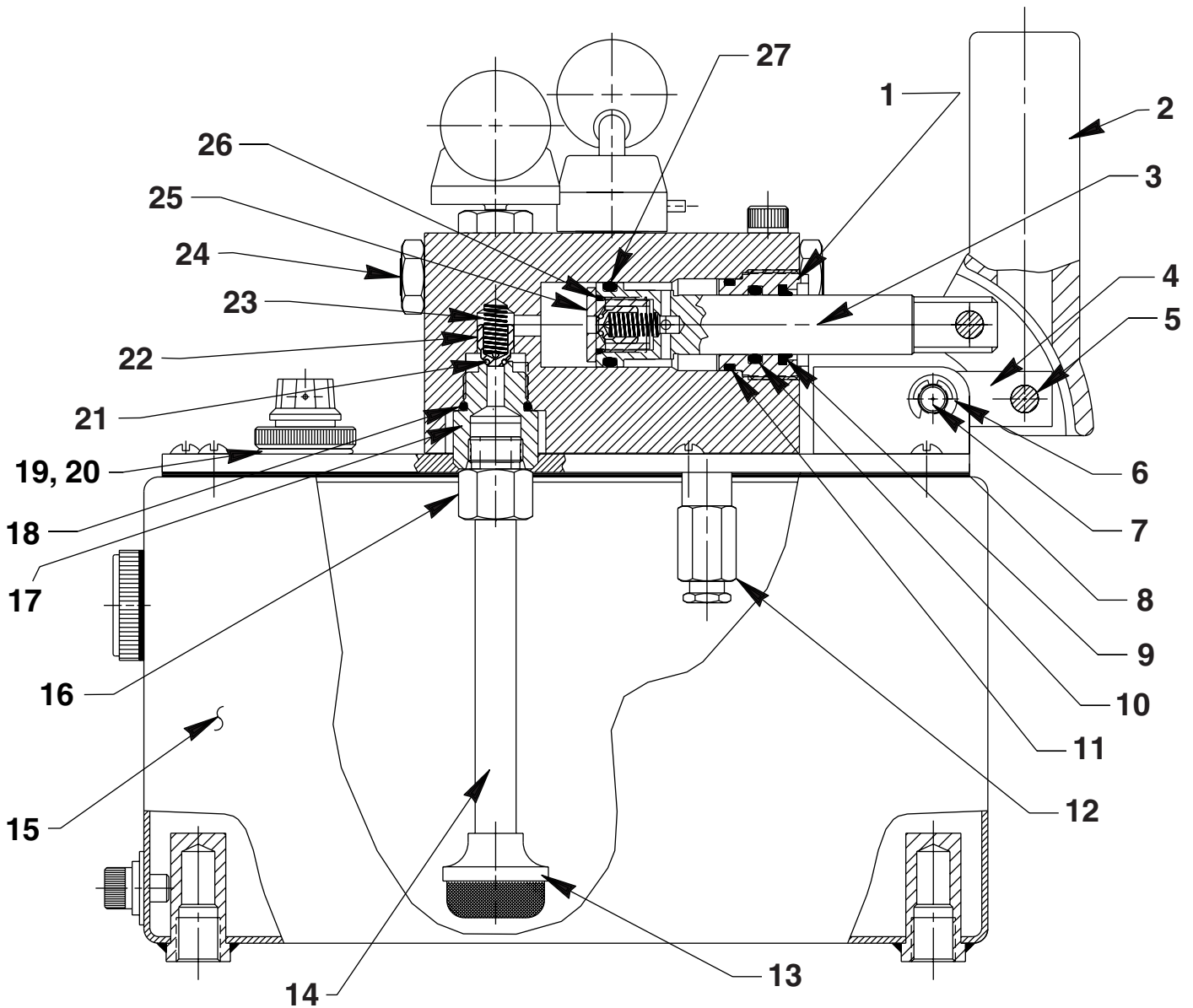


**MODEL B  
 SINGLE STAGE  
 HYDRAULIC HAND PUMP**

**SIDE VIEW**

To Parts  
 List



# Parts List, Form No. 108159, Back sheet 1 of 3

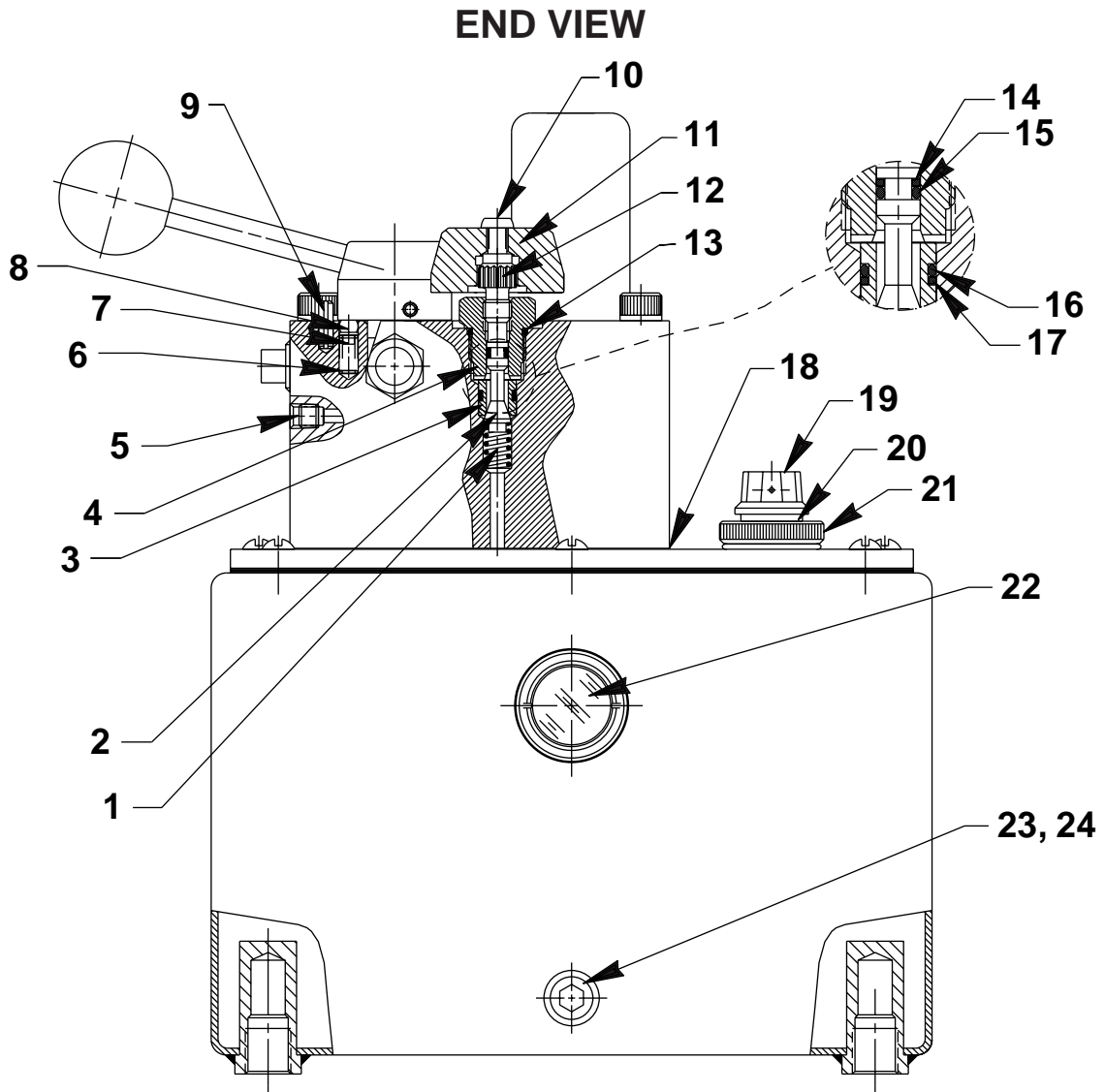
Item No.	Part No.	No. Req'd	Description
1	421624	1	Nut, Gland (Torque to 30/40 ft. lbs.)
2	30701	1	Lever
3	421831	1	Piston, Hand Pump
4	21603	1	Block, Pivot
5	21609	2	Pin, Clevis
6	11032	6	Ring, Retain Ext. (0.30 x .035)
7	23088	1	Pin, Clevis
8	*40164	1	Gasket, Reservoir
9	*253061	1	Wiper, Rod (1.090 x .810 Poly)
10	*19027	1	O-ring (1.06 x .81 Viton)
11	*250814	1	O-ring (1.25 x 1.06 Nitrile)
12	421869-18	1	Valve, Relief (Set at 1,600/2,000 PSI)
13	*15417	1	Strainer, Suction
14	253425	1	Fitting, Straight (1/4 NPTF)
15	420327BK2	1	Reservoir (2 gallon)
16	213766	1	Fitting, Straight (1/4 NPTF; Includes -908 o-ring)
17	421621	1	Fitting, Check Seat (Torque to 50/60 in. lbs.)
18	*10653	1	O-ring (.93 x .75 Nitrile)
19	*16684	1	O-ring (1.18 x 1.00 Nitrile)
20	252298	1	Plug, Filler
21	*17797	2	O-ring (.25 x .12 Urethane)
22	351479	2	Body, Poppet
23	*252979	2	Spring (.28 OD x 1.10 x .01 WS)
24	*215907	2	Decal, Instruction
25	351614	1	Fitting, O-ring Boss (Torque to 300/350 in. lbs.)
26	*10527	1	O-ring (.81 x .64 Nitrile)
27	*10278	1	O-ring (1.12 x .87 Nitrile)

### PARTS INCLUDED BUT NOT SHOWN

30708	1	Handle
11390	1	Grip, Handle Flex

Part numbers marked with an asterisk (\*) are contained in Repair Kit No. 301031.



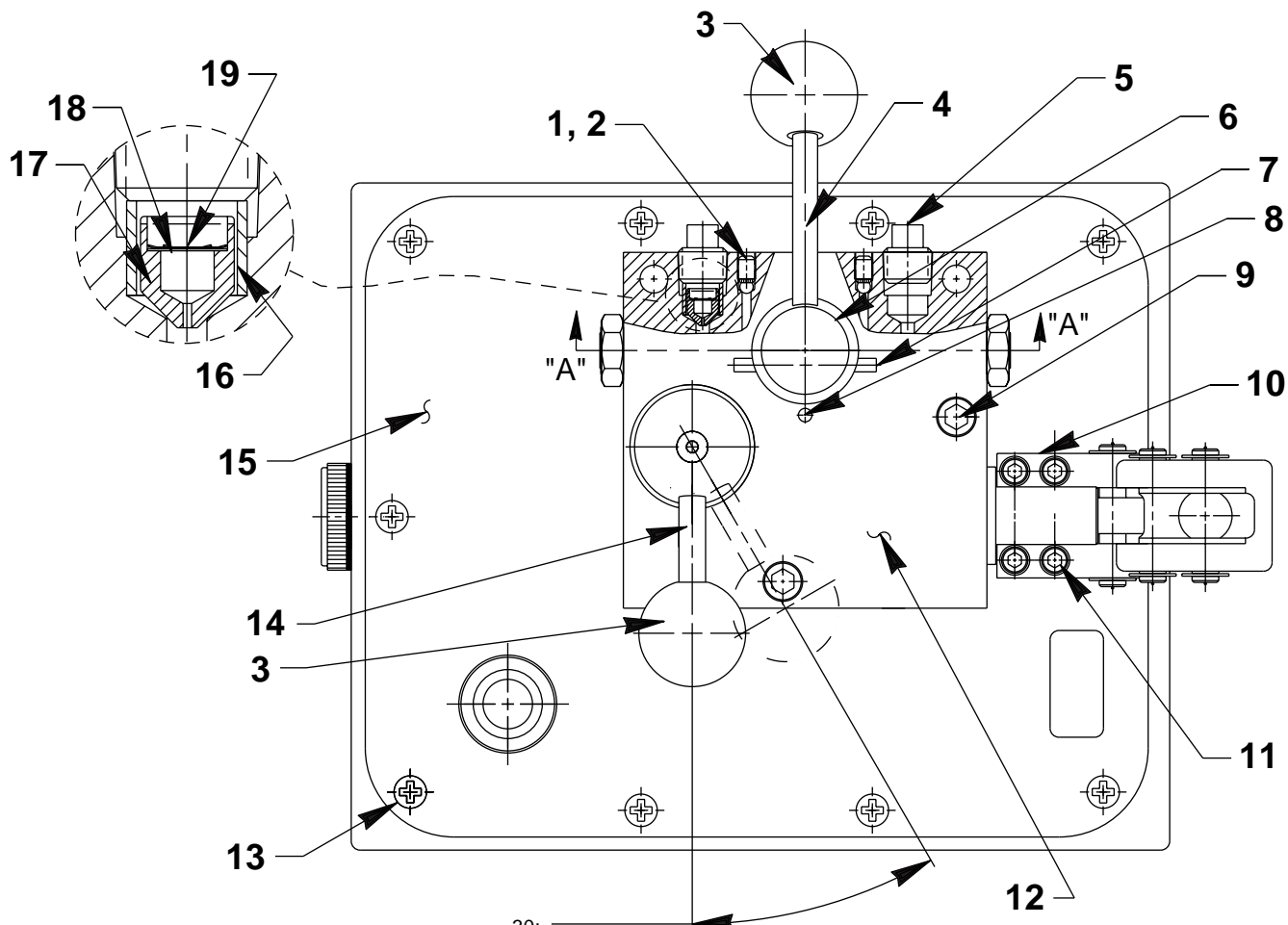


Item No.	Part No.	No. Req'd	Description
1	*253423	1	Spring (.37 OD x .75 x .059 WS)
2	*351906	1	Spool
3	*351903	1	Seat, Replaceable (Seat at assembly)
4	351907	1	Guide, Stem
5	15130	2	Fitting, Plug (1/16 PTF; Apply Loctite No. 242 or equiv. & torque to 80 in. lbs.)
6	*15691	1	Spring (.24 OD x .63 x .04 WS)
7	200796	1	Adapter, Ball & Spring
8	*10375	1	Ball (1/4" Dia. Steel)
9	10714	1	Pin, Spring Slotted (.19 x .63)
10	253517	1	Screw, Button HD (1/4-20 x 5/8; Torque to 60/80 in. lbs.; Note: Apply Loctite #222 or equiv. at assembly.)

Item No.	Part No.	No. Req'd	Description
11	46057	1	Stem, End
12	421836	1	Stem, Release
13	*10527	1	O-ring (.81 x .64 Nitrile)
14	*207354	1	Washer, Backup (.28 x .16)
15	*12099	1	O-ring (.28 x .15 Nitrile)
16	*10268	1	O-ring (.50 x .37 Nitrile)
17	*11863	1	Washer, Backup (.50 x .38)
18	*351896	1	Gasket
19	251689	1	Cap, Filler Breather
20	200415	1	O-ring (.81 x .63 Nitrile)
21	260090	1	Plug, Filler
22	17586	1	Gauge, Sight (1-1/2")
23	19779	1	Washer, Seal (.73 x .42)
24	10412	1	Screw, Soc. Hd. (3/8-16 x 1/2)

Part numbers marked with an asterisk (\*) are contained in Repair Kit No. 301031.

TOP VIEW

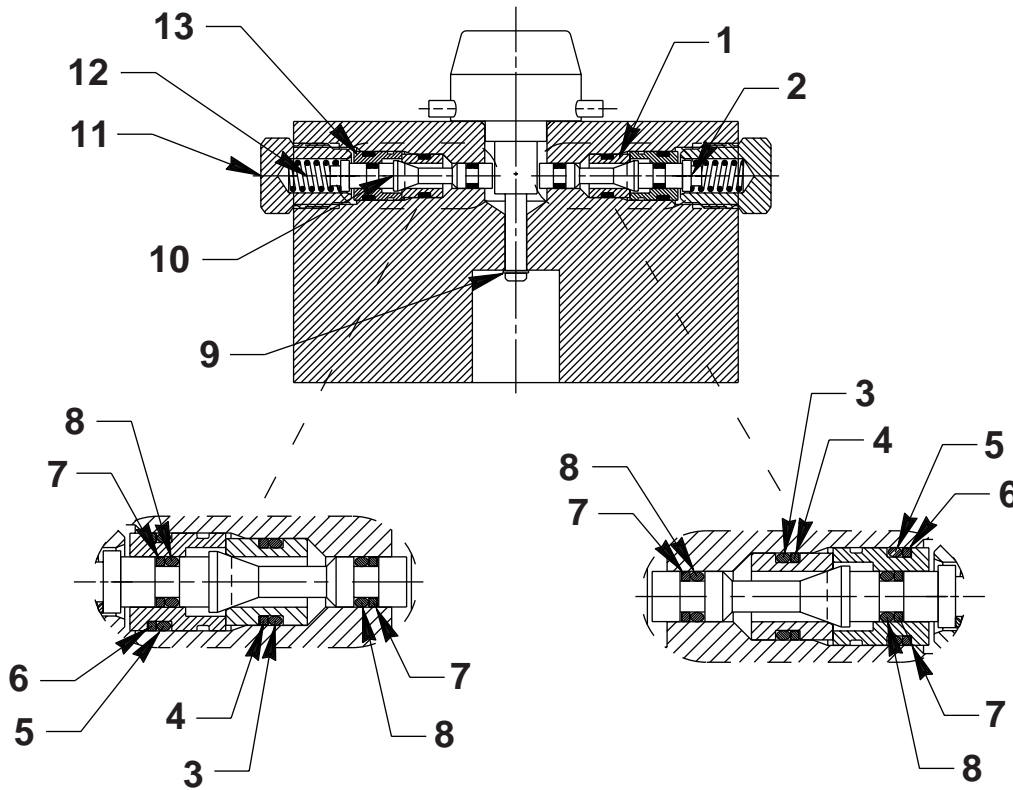


30;  
NOTE:  
KNOB POSITION APPROX.  
WITHIN THIS AREA AT  
POINT OF RELEASE.

Item No.	Part No.	No. Req'd	Description	Item No.	Part No.	No. Req'd	Description
1	10519	2	Screw, Hex Set (1/4-20 x 3/8 Lg.; Torque to 75/85 in. lbs.)	10	351905	1	Bracket
2	12223	2	Ball (3/16" Dia. Steel)	11	253518	4	Screw, Socket HD (1/4-28 x 1; Torque to 100/120 in. lbs.; Note: Apply Loctite #277 or equiv. at ass'y.)
3	211911	2	Knob, Ball	12	66028	1	Body, Pump
4	21639	1	Stud	13	10177	10	Screw, Round HD (1/4-20 x 3/4)
5	11127	2	Fitting, Plug (3/8 NPTF)	14	253424	1	Stud
6	421850	1	Stem, Valve	15	59253BK2	1	Plate, Cover
7	11206	1	Pin, Roll (.19 x 2.00)	16	214583	1	Sleeve, Retaining
8	10714	1	Pin, Spring Slotted (.19 x .63; Only for pumps that restrict usage to one port.)	17	251605	1	Poppet
9	253516	4	Screw, Socket HD (3/8-24 x 4)	18	*214596	1	Disc, Filter
				19	*12201	1	Ring, Retain Int. (.018 x .010)

Part numbers marked with an asterisk (\*) are contained in Repair Kit No. 301031.

SECTION A-A



Item No.	Part No.	No. Req'd	Description
1	*351903	2	Seat, Replaceable (Seat at assembly)
2	253422	2	Guide, Spring
3	*10268	2	O-ring (.50 x .37 Nitrile)
4	*11863	2	Washer, Backup (.50 x .38)
5	*12098	2	O-ring (.56 x .43 Nitrile)
6	*15500	2	Washer, Backup (.56 x .44)
7	*207354	4	Washer, Backup (.28 x .16)
8	*12099	4	O-ring (.28 x .15 Nitrile)
9	*10482	1	Ring, Retain Ext. (0.23 x .025)
10	*351902	2	Spool
11	351901	2	Fitting, Plug
12	*253423	2	Spring (.37 OD x .75 x .059 WS)
13	351904	2	Spacer

Part numbers marked with an asterisk (\*) are contained in Repair Kit No. 301031.