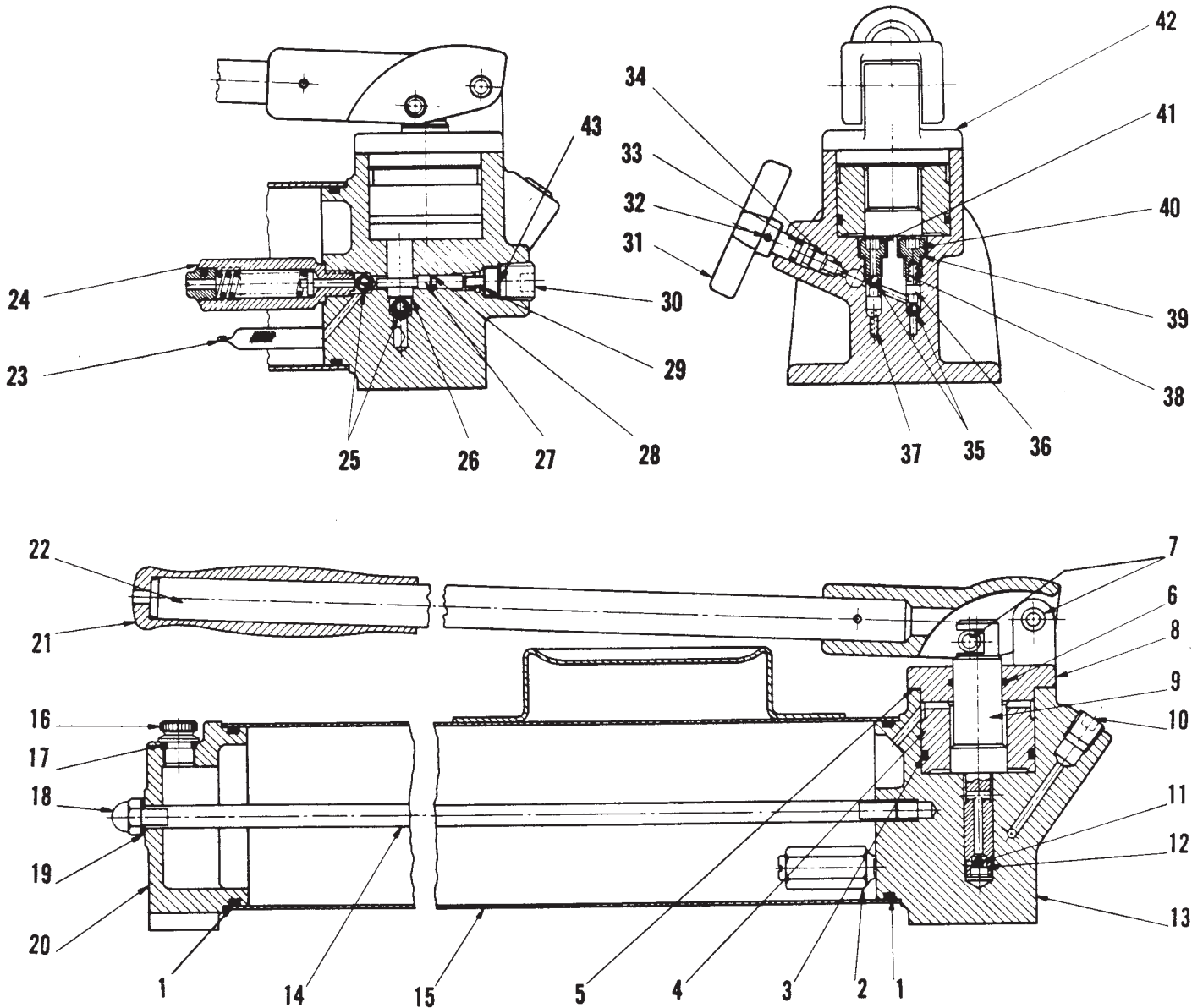


## TWO SPEED HYDRAULIC HAND PUMP

Max. Capacity: 10,000 PSI



# Parts List, Form No. 13216, Back sheet 1 of 1

Item No.	Part No.	No. Req'd	Description
1	*10872	2	O-ring (3-1/8 X 2-7/8 X 1/8, -233)
2	21278	1	Relief Valve
3	*10913	1	O-ring (2" X 1-13/16 X 3/32, -133)
4	32405	1	Sleeve
5	*24640	1	End Cap Gasket
6	*12900	1	O-ring (1" X 7/8 X 1/16, -020)
7	10415	2	Roll Pin (3/8 Dia. X 1-3/4 Lg.)
8	31868	1	Pump Body Cap
9	25522	1	Piston Ass'y
10	10479	1	Hex Female Drive Plug (1/4 NPTF)
11	*10375	1	Steel Ball (1/4 Dia.)
12	*12041	1	Retaining Ring (5/16 hole)
13	40583	1	Pump Body
14	24155	1	Tie Rod
15	31877	1	Reservoir Ass'y
16	24132	1	Filler Cap
17	*10300	1	O-ring (5/8 X 15/32 X 5/64, -906)
18	10842	1	Hex. Cap Nut (3/8-16 UNC)
19	*12042	1	Copper Washer (9/16 X 3/8 X 1/32)
20	31863	1	End Cap
21	10904	1	Handle Grip
22	31872	1	Handle Ass'y
23	*24789	1	Filter
24	25526	1	Relief Valve Ass'y
25	*10377	2	Steel Ball (5/16 Dia.)
26	*11893	1	Retaining Ring (7/16 hole)
27	24149	1	Piston Unloading Valve
28	*10264	1	O-ring (1/4 X 1/8 X 1/16, -006)
29	27060	1	Retainer
30	10543	1	Hex. Soc. Plug
31	23272	1	Knob
32	10895	1	Roll Pin (1/8 Dia. X 3/4 Lg.)
33	*10266	1	O-ring (3/8 X 1/4 X 1/16, -010)
34	24153	1	Stem
35	*10420	2	Steel Ball
36	24148	2	Ball Guide
37	*12040	1	Compression Spring (1/8 O.D. X 1/2 Lg.)
38	*10445	1	Compression Spring (5/32 O.D. X 3/4 Lg.)
39	*11031	2	Copper Washer (15/32 X 5/16 X 1/32)
40	21600	1	Cap Screw (5/16-18 NC X 3/8 Lg.)
41	*24150	1	Valve Seat
42	10006	4	Soc. Hd. Cap Screw (1/4-20 UNC X 5/8 Lg.)
43	11460	1	Retaining Ring (9/16 Housing Dia.)



Part numbers marked with an asterisk (\*) are in Repair Kit #25953.

Refer to any operating instructions included with this product for detailed information about operation, testing, disassembly, reassembly, and preventive maintenance.

Items found in this parts list have been carefully tested and selected. **Therefore: Use only genuine Power Team replacement parts!**

Additional questions can be directed to our Technical Services Department.