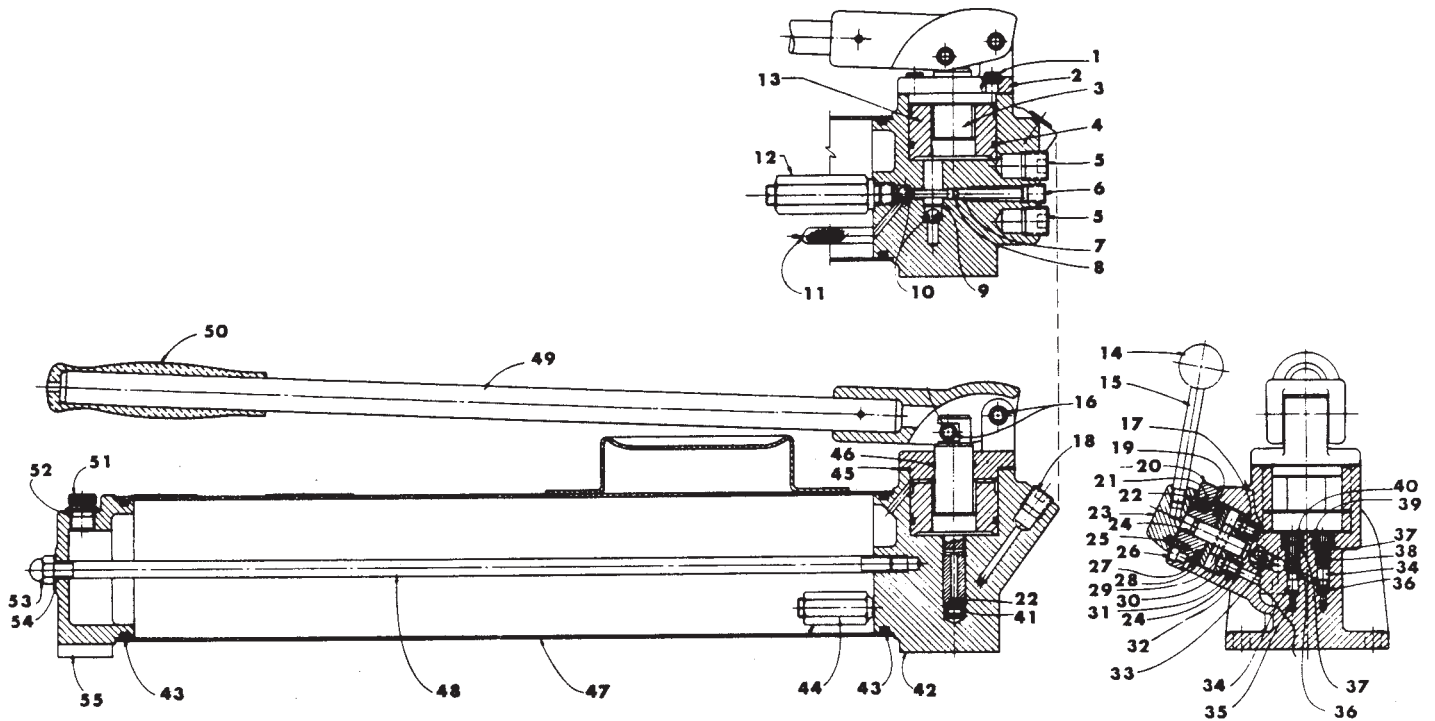


TWO SPEED HYDRAULIC HAND PUMP

Max. Capacity: 10,000 PSI



Parts List, Form No. 13367, Back sheet 1 of 1

Item No.	Part No.	No. Req'd	Description	Item No.	Part No.	No. Req'd	Description
1	10006	4	Soc. Hd. Cap Screw (1/4-20 UNC X 5/8 Lg.)	32	*12187	3	Spring Washer
2	31868	1	Pump Body Cap	33	11084	1	Hex Female Drive Plug (1/16 NPTF)
3	25522	1	Piston Ass'y	34	24148	2	Ball Guide
4	*10913	1	O-ring (2" X 1-13/16 X 3/32, -133)	35	*12040	1	Compression Spring (1/8 O.D. X 1/2 Lg.)
5	11127	2	Sq. Male Drive Plug (3/8 NPTF)	36	*12223	2	Steel Ball (3/16 Dia.)
6	10427	1	Hex Female Drive Plug (1/8 NPTF)	37	*11031	2	Copper Washer (15/32 X 5/16 X 1/32)
7	25030	1	Piston	38	*10445	1	Compression Spring (5/32 O.D. X 3/4 Lg.)
8	*10264	1	O-ring (1/4 X 1/8 X 1/16, -006)	39	21600	1	Cap Screw (5/16-18 NC X 3/8 Lg.)
9	*11893	1	Retaining Ring (7/16 hole)	40	*24150	1	Valve Seat
10	*10377	2	Steel Ball (5/16 Dia.)	41	*12041	1	Retaining Ring (5/16 hole)
11	*24789	1	Filter	42	50276	1	Pump Body
12	25526	1	Relief Valve Ass'y	43	*10872	2	O-ring (3-1/8 X 2-7/8 X 1/8, -233)
13	32405	1	Sleeve	44	21278	1	Relief Valve Ass'y
14	12821	1	Knob	45	*24640	1	End Cap Gasket
15	24564	1	Stud	46	*12900	1	O-ring (1" X 7/8 X 1/16, -020)
16	10415	2	Roll Pin (3/8 Dia. X 1-3/4 Lg.)	47	31877	1	Reservoir Ass'y
17	24570	3	Seal	48	24155	1	Tie Rod
18	10479	1	Hex Female Drive Plug (1/4 NPTF)	49	31872	1	Handle Ass'y
19	*10930	1	O-ring (1-1/2 X 1-5/16 X 3/32, -125)	50	10904	1	Handle Grip
20	24566WH2	1	Valve Cover	51	24132	1	Filler Cap
21	12195	1	Compression Spring (1/4 O.D. X 1/2 Lg.)	52	*10300	1	O-ring (5/8 X 15/32 X 5/64, -906)
22	*10375	2	Steel Ball (1/4 Dia.)	53	10842	1	Hex. Cap Nut (3/8-16 UNC)
23	32070	1	Stem	54	*12042	1	Copper Washer (9/16 X 3/8 X 1/32)
24	*10266	4	O-ring (3/8 X 1/4 X 1/16, -010)	55	31863	1	End Cap
25	11587	1	Roll Pin (1/8 Dia. X 1/2 Lg.)				
26	11434	4	Soc. Hd. Cap Screw (10-24 UNC X 1/2 Lg.)				
27	12189	1	Needle Bearing				
28	12188	1	Needle Bearing				
29	*10716	1	Roll Pin (1/4 Dia. X 3/4 Lg.)				
30	32071	1	Rotor				
31	*12184	3	Back-up Washer (3/8 X 1/4 X .048, -010)				

Part numbers marked with an asterisk (*) are contained in Repair Kit #25954.



Refer to any operating instructions included with this product for detailed information about operation, testing, disassembly, reassembly, and preventive maintenance.

Items found in this parts list have been carefully tested and selected. **Therefore: Use only genuine Power Team replacement parts!**

Additional questions can be directed to our Technical Services Department.