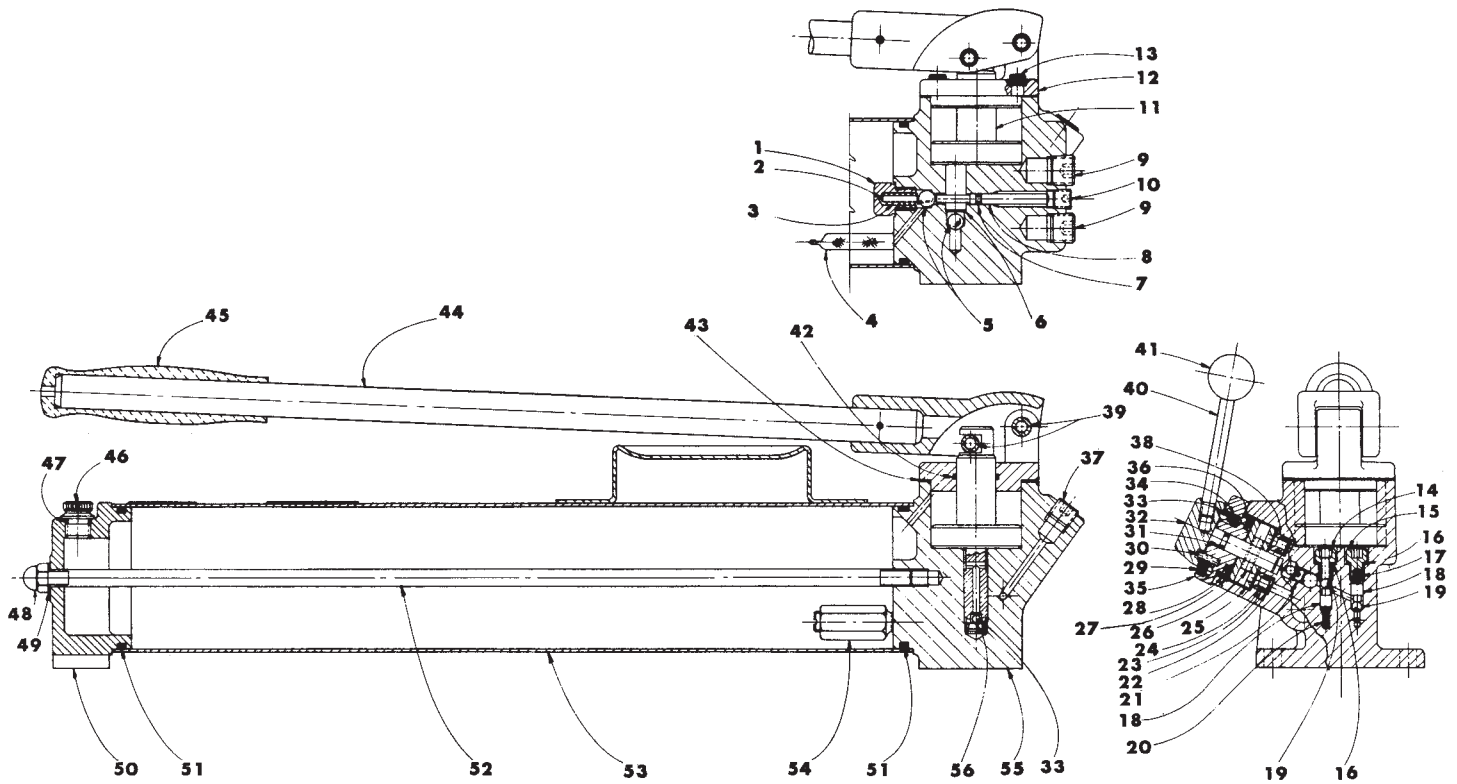


TWO SPEED HYDRAULIC HAND PUMP

Max. Capacity: 10,000 PSI



Parts List, Form No. 13372, Back sheet 1 of 1

Item No.	Part No.	No. Req'd	Description	Item No.	Part No.	No. Req'd	Description
1	24152	1	Cap Screw-Spring Retainer	29	11434	4	Soc. Hd. Cap Screw (10-24 UNC X 1/2 Lg.)
2	24787	1	Pin	30	11587	1	Roll Pin (1/8 Dia. X 1/2 Lg.)
3	11221	1	Compression Spring (1/4 O.D. X 1" Lg.)	31	10266	4	O-ring (3/8 X 1/4 X 1/16, -010)
4	*24789	1	Filter	32	32070	1	Stem
5	*10377	2	Ball (5/16 Dia.)	33	*10375	2	Ball (1/4 Dia.)
6	*11893	1	Retaining Ring (7/16 hole)	34	12195	1	Compression Spring (1/4 O.D. X 1/2 Lg.)
7	*10264	1	O-ring (1/4 X 1/8 X 1/16, -006)	35	24566WH2	1	Valve Cover
8	25030	1	Piston	36	*10930	1	O-ring (1-1/2 X 1-5/16 X 3/32, -125)
9	11127	2	Sq. Male Drive Plug (3/8 NPTF)	37	10479	1	Hex Female Drive Plug (1/4 NPTF)
10	10427	1	Hex Female Drive Plug (1/8 NPTF)	38	24570	3	Seal
11	24146	1	Piston Ass'y	39	10415	2	Roll Pin (3/8 Dia. X 1-3/4 Lg.)
12	31868	1	Pump Body Cap	40	24564	1	Stud
13	10006	4	Soc. Hd. Cap Screw (1/4-20 UNC X 5/8 Lg.)	41	12821	1	Knob
14	*24150	1	Valve Seat	42	*12900	1	O-ring (1" X 7/8 X 1/16, -020)
15	21600	1	Cap Screw (5/16-18 NC X 3/8 Lg.)	43	*24640	1	End Cap Gasket
16	*11031	2	Copper Washer (15/32 X 5/16 X 1/32)	44	31872	1	Handle Ass'y
17	*10445	1	Compression Spring (5/32 O.D. X 3/4 Lg.)	45	10904	1	Handle Grip
18	24148	2	Ball Guide	46	24132	1	Filler Cap
19	*12223	2	Ball (3/16 Dia.)	47	*10300	1	O-ring (5/8 X 15/32 X 5/64, -906)
20	*12040	1	Compression Spring (1/8 O.D. X 1/2 Lg.)	48	10842	1	Hex. Cap Nut (3/8-16 UNC)
21	11084	1	Hex Female Drive Plug (1/16 NPTF)	49	*12042	1	Copper Washer (9/16 X 3/8 X 1/32)
22	*12187	3	Spring Washer	50	31863	1	End Cap
23	*10266	4	O-ring (3/8 X 1/4 X 1/16, -010)	51	*10872	2	O-ring (3-1/8 X 2-7/8 X 1/8, -233)
24	*12184	3	Backup Washer (3/8 X 1/4 X .048, -010)	52	24155	1	Tie Rod
25	32071	1	Rotor	53	31877	1	Reservoir Ass'y
26	*10716	1	Roll Pin (1/4 Dia. X 3/4 Lg.)	54	21278	1	Relief Valve Ass'y
27	12188	1	Bearing	55	50276	1	Pump Body
28	12189	1	Bearing	56	*12041	1	Retaining Ring (5/16 hole)

Part numbers marked with an asterisk(*) are contained in Repair Kit #25954.



Refer to any operating instructions included with this product for detailed information about operation, testing, disassembly, reassembly, and preventive maintenance.

Items found in this parts list have been carefully tested and selected. **Therefore: Use only genuine Power Team replacement parts!**

Additional questions can be directed to our Technical Services Department.