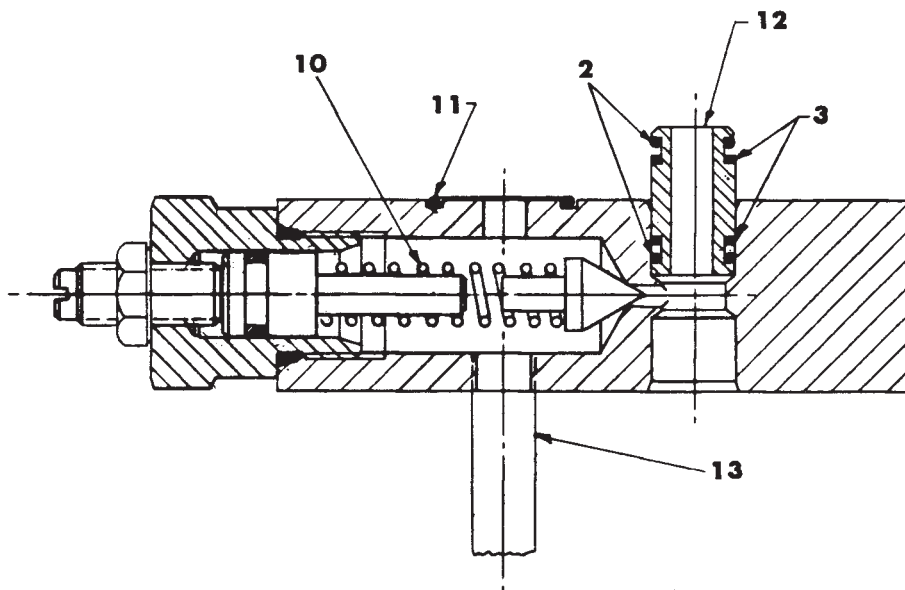
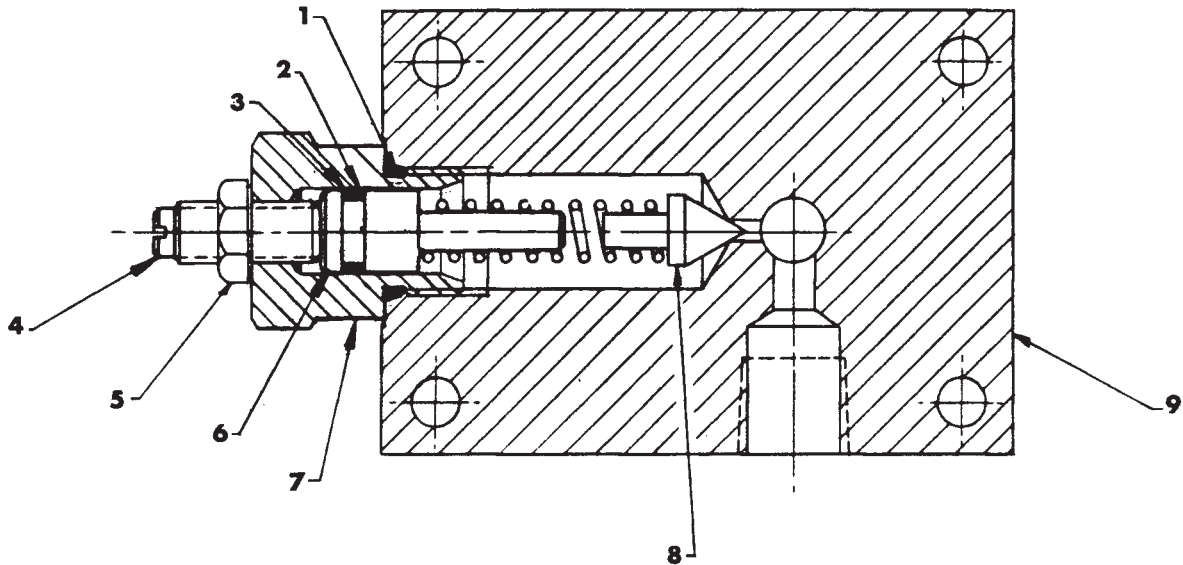


TANDEM  
**SUB-PLATE REGULATOR ASSEMBLY**  
Max. Capacity: 10,000 PSI



# Parts List, Form No. 13389, Back sheet 1 of 1

---

Item No.	Part No.	No. Req'd	Description
1	10527	1	O-ring (13/16 X .644 X .087, -908)
2	10268	3	O-ring (1/2 X 3/8 X 1/16, -012)
3	10311	3	Backup Washer
4	22362	1	Adjusting Screw
5	10386	1	Hex Jam Nut (3/8-24 UNF)
6	21306	1	Spring Guide
7	21305	1	Valve Cap
8	21046	1	Valve Stem
9	30612	1	Body
10	10495	1	Compression Spring (1/2 O.D. X 1-5/8 Lg.)
11	10303	1	O-ring (7/8 X 3/4 X 1/16, -018)
12	21094	1	Bushing
13	20847	1	Drain Line



Refer to any operating instructions included with this product for detailed information about operation, testing, disassembly, reassembly, and preventive maintenance.

Items found in this parts list have been carefully tested and selected. **Therefore: Use only genuine Power Team replacement parts!**

Additional questions can be directed to our Technical Services Department.