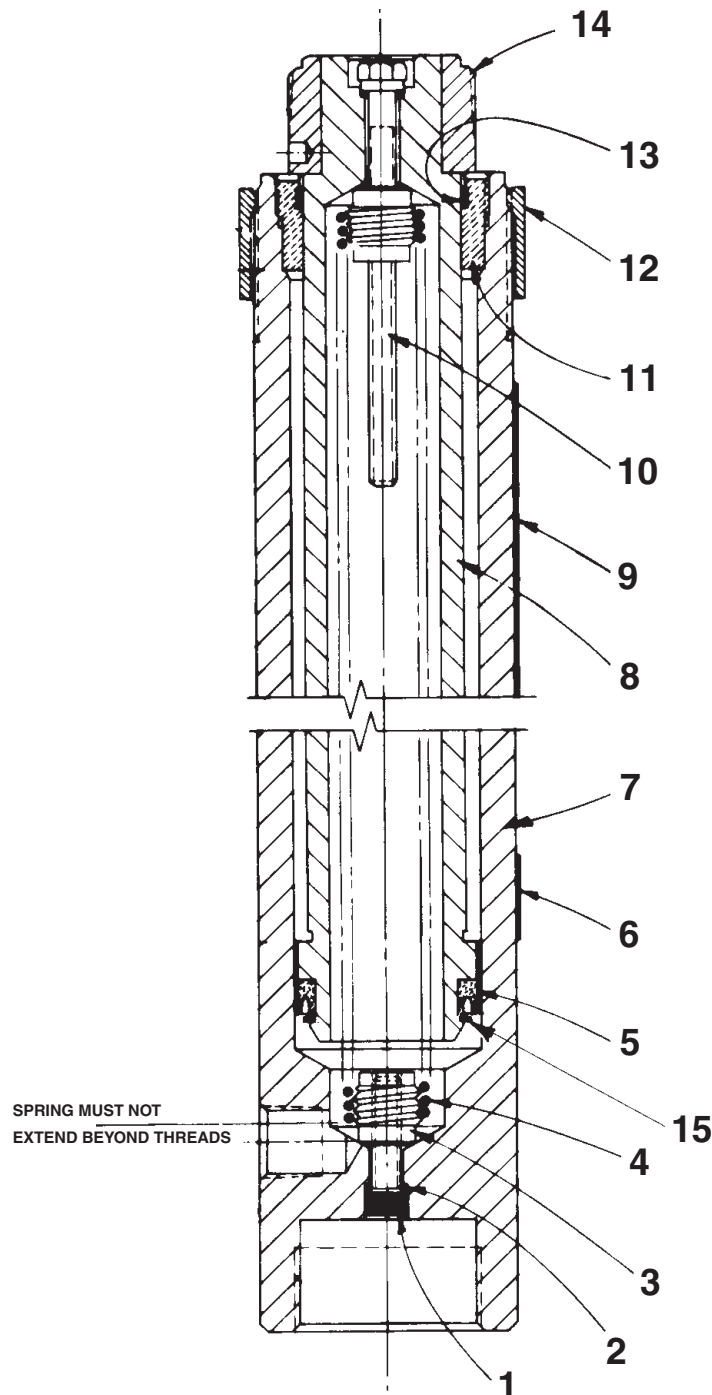


Parts List for:

YS-105 Model B  
YS-106 Model B  
YS-107 Models B & C

### SINGLE-ACTING, SPRING RETURN HYDRAULIC CYLINDER

Max. Capacity: 10 Ton At 9,643 PSI



Note: Combined information from Form No.'s 13544, 13545, & 15180 into this form at last revision.

Sheet No. 1 of 1

Rev. 1 Date: 15 May 1998

# Parts List, Form No. 13603, Back sheet 1 of 1

Item No.	Part No.	No. Req'd	Description
1	10016	1	Socket Head Cap Screw (1/4-20 UNC X 1" Lg.)
2	*10442	2	Washer (3/8 X 1/4 X 1/32)
3	23976	2	Spring Retainer
4	11983	1	Extension Spring (For YS-106)
	11989	1	Extension Spring (For YS-107)
	12497	1	Extension Spring (For YS-105)
5	*13409	1	Packing U-cup
6	11982	1	Decal (For YS-106)
	11988	1	Decal (For YS-107 Model B)
	15178	1	Decal (For YS-107 Model C)
	13600	1	Decal (For YS-105)
7	33196	1	Cylinder (For YS-106)
	33200	1	Cylinder (For YS-107 Model B)
	35060	1	Cylinder (For YS-107 Model C)
	33202	1	Cylinder (For YS-105)
8	33195	1	Piston (For YS-106)
	33199	1	Piston (For YS-107)
	33201	1	Piston (For YS-105)
9	11280	1	Tradename Decal (For YS-106 & YS-107)
	11281	1	Tradename Decal (For YS-105)
10	26101	1	Screw (For YS-106 & YS-107)
	10016	1	Socket Head Cap Screw (1/4-20 UNC X 1" Lg.; For YS-105)
11	33194	1	Retainer (For YS-106 & YS-107; See Note below)
	25484	1	Retainer (For YS-105)
12	24067	1	Collar
13	*27385	1	Rod Wiper
14	26095	1	Ram Cap (For YS-106 & YS-107)
15	13654	1	Retaining Ring



### PARTS INCLUDED BUT NOT SHOWN

25485	1	Serrated Insert (For YS-105)
25486	1	Threaded Insert (For YS-105)

Part numbers marked with an asterisk (\*) are contained in Repair Kit No. 27738.

**NOTE: For YS-107 Model C, replace Item #11 with:**  
**1 - #200096 Retaining Ring**  
**1 - #200095 Bushing Guide**

Note: Combined information from Form No.'s 13544, 13545, & 15180 into this form at last revision.

Refer to any operating instructions included with this product for detailed information about operation, testing, disassembly, reassembly, and preventive maintenance.

Items found in this parts list have been carefully tested and selected. **Therefore: Use only genuine Power Team replacement parts!**

Additional questions can be directed to our Technical Services Department.