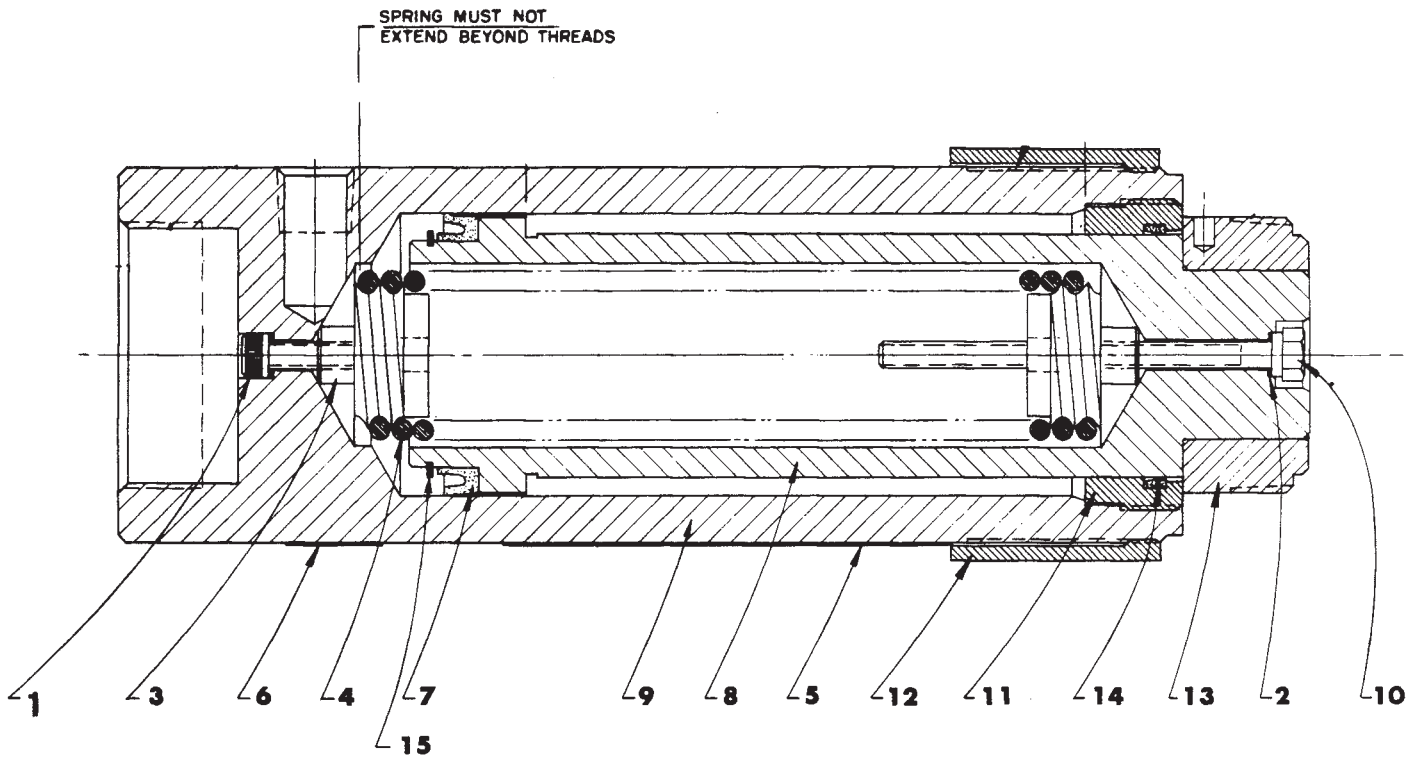


Parts List for:

YS-112

Internet Address:
<http://www.powerteam.com>

MODEL B HYDRAULIC CYLINDER Max. Capacity: 20 Ton At 8,148 PSI



Sheet No. 1 of 1

Issue Date: 8-1-69

Parts List, Form No. 13604, Back sheet 1 of 1

Item No.	Part No.	No. Req'd	Description
1	10020	1	Soc. Hd. Cap Screw (1/4-20 UNC X 1-1/4 Lg.)
2	*10442	2	Copper Washer (3/8 X 1/4 X 1/32)
3	23964	2	Threaded Spring Retainer
4	13447	1	Extension Spring
5	11280	1	Decal
6	13601	1	Decal-Model No.
7	*13410	1	U-cup
8	33219	1	Piston
9	33220	1	Cylinder
10	26101	1	Screw
11	33218	1	Retainer
12	31769	1	Collar
13	26096	1	Ram Cap
14	*27395	1	Rod Wiper
15	13655	1	Retaining Ring

Part numbers marked with an asterisk (*) are contained in Repair Kit No. 27739.



Refer to any operating instructions included with this product for detailed information about operation, testing, disassembly, reassembly, and preventive maintenance.

Items found in this parts list have been carefully tested and selected. **Therefore: Use only genuine Power Team replacement parts!**

Additional questions can be directed to our Technical Services Department.